

AV RECEIVER RX-V795/R-V1105 RX-V795RDS

SERVICE MANUAL

IMPORTANT NOTICE

This manual has been provided for the use of authorized YAMAHA Retailers and their service personnel. It has been assumed that basic service procedures inherent to the industry, and more specifically YAMAHA Products, are already known and understood by the users, and have therefore not been restated.

WARNING: Failure to follow appropriate service and safety procedures when servicing this product may result in personal injury, destruction of expensive components, and failure of the product to perform as specified. For these reasons, we advise all YAMAHA product owners that any service required should be performed by an authorized YAMAHA Retailer or the appointed service representative.

IMPORTANT: The presentation or sale of this manual to any individual or firm does not constitute authorization, certification or recognition of any applicable technical capabilities, or establish a principle-agent relationship of any form.

The data provided is believed to be accurate and applicable to the unit(s) indicated on the cover. The research, engineering, and service departments of YAMAHA are continually striving to improve YAMAHA products. Modifications are, therefore, inevitable and specifications are subject to change without notice or obligation to retrofit. Should any discrepancy appear to exist, please contact the distributor's Service Division.

WARNING: Static discharges can destroy expensive components. Discharge any static electricity your body may have accumulated by grounding yourself to the ground buss in the unit (heavy gauge black wires connect to this buss).

IMPORTANT: Turn the unit OFF during disassembly and part replacement. Recheck all work before you apply power to the unit.

■ CONTENTS

TO SERVICE PERSONNEL	1
REMOTE CONTROL PANELS	1
FRONT PANELS	2
REAR PANELS	3~4
SPECIFICATIONS	5~6
INTERNAL VIEW	7
DISASSEMBLY PROCEDURES	7
SELF DIAGNOSIS FUNCTION	8~19
FACTORY PRESET	20
AMP ADJUSTMENTS	21

TUNER ADJUSTMENTS	22~25
DISPLAY DATA	26
IC DATA	27~37
PRINTED CIRCUIT BOARD	38~61
PIN CONNECTION DIAGRAM	62
BLOCK DIAGRAM	63~64
SCHEMATIC DIAGRAM	65~73
PARTS LIST	74~92
REMOTE CONTROL TRANSMITTER	93



このサービスマニュアルは、エコマーク認定の再生紙を使用しています。
This Service Manual uses recycled paper.

100655



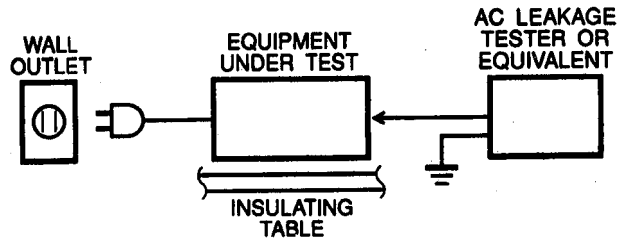
YAMAHA

YAMAHA CORPORATION
P.O.Box 1, Hamamatsu, Japan

3.0K-95.257 Printed in Japan '98.12

■ TO SERVICE PERSONNEL

1. Critical Components information.
Components having special characteristics are marked \triangle and must be replaced with parts having specifications equal to those originally installed.
2. Leakage Current Measurement (For 120V Model only).
When service has been completed, it is imperative that you verify that all exposed conductive surfaces are properly insulated from supply circuits.
 - Meter impedance should be equivalent to 1500 ohm shunted by 0.15 μ F.
 - Leakage current must not exceed 0.5mA.
 - Be sure to test for leakage with the AC plug in both polarities.



"CAUTION"



- "F821 : FOR CONTINUED PROTECTION AGAINST RISK OF FIRE, REPLACE ONLY WITH SAME TYPE 2.5A, 250V FUSE (G model)"
- "F822 : FOR CONTINUED PROTECTION AGAINST RISK OF FIRE, REPLACE ONLY WITH SAME TYPE 4.0A, 250V FUSE (A, L, B, G models)"
- "F823 : FOR CONTINUED PROTECTION AGAINST RISK OF FIRE, REPLACE ONLY WITH SAME TYPE 8.0A, 125V FUSE (U, C, R, T models)"
- "F851 : FOR CONTINUED PROTECTION AGAINST RISK OF FIRE, REPLACE ONLY WITH SAME TYPE 4.0A, 250V FUSE (R, T models)"

WARNING: CHEMICAL CONTENT NOTICE!

The solder used in the production of this product contains LEAD. In addition, other electrical/electronic and/or plastic (Where applicable) components may also contain traces of chemicals found by the California Health and Welfare Agency (and possibly other entities) to cause cancer and/or birth defects or other reproductive harm.

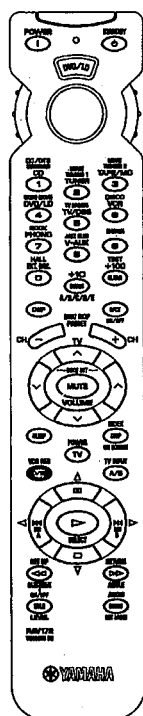
DO NOT PLACE SOLDER, ELECTRICAL/ELECTRONIC OR PLASTIC COMPONENTS IN YOUR MOUTH FOR ANY REASON WHATSOEVER!

Avoid prolonged, unprotected contact between solder and your skin! When soldering, do not inhale solder fumes or expose eyes to solder/flux vapor!

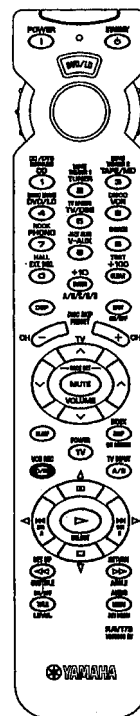
If you come in contact with solder or components located inside the enclosure of this product, wash your hands before handling food.

■ REMOTE CONTROL PANELS

▼U, C, R, T and L models

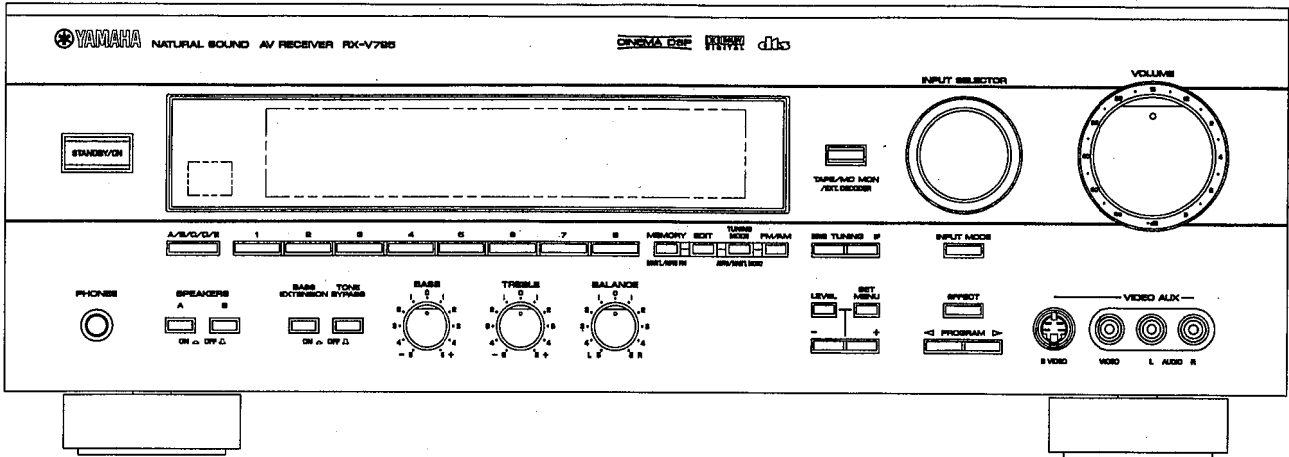


▼A, B and G models

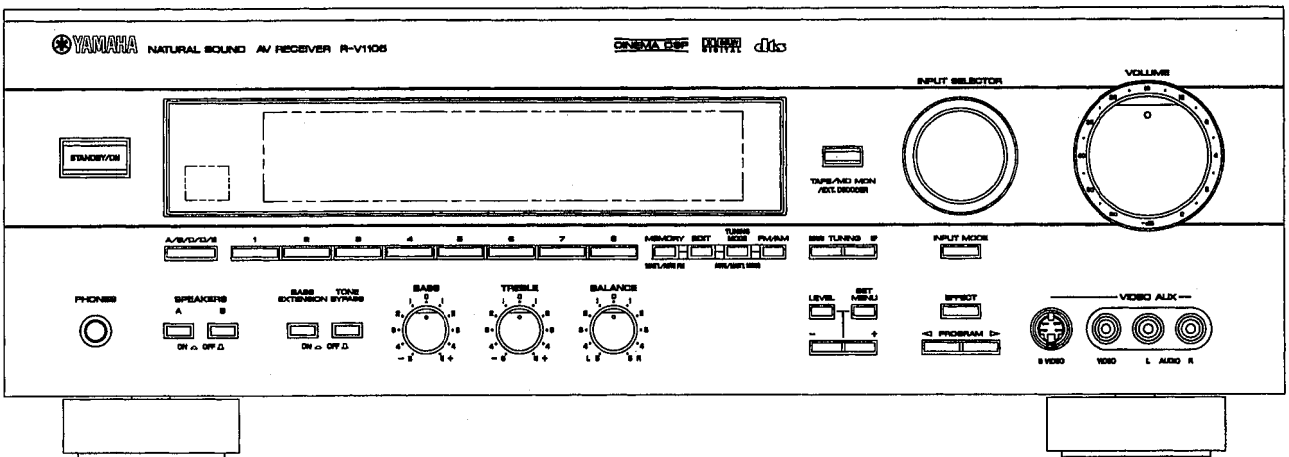


FRONT PANELS

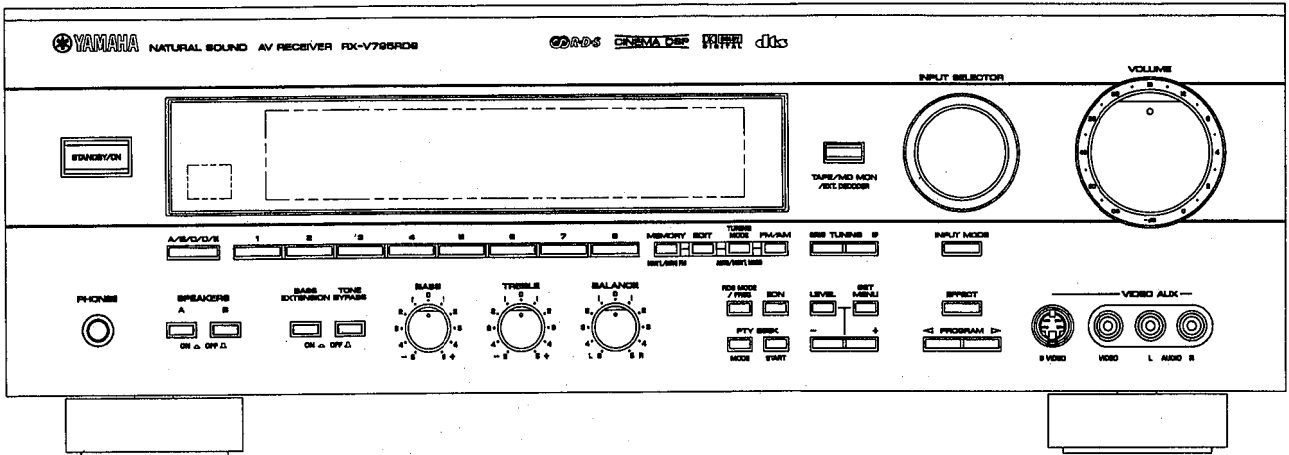
▼RX-V795



▼R-V1105 U, C, A, T models

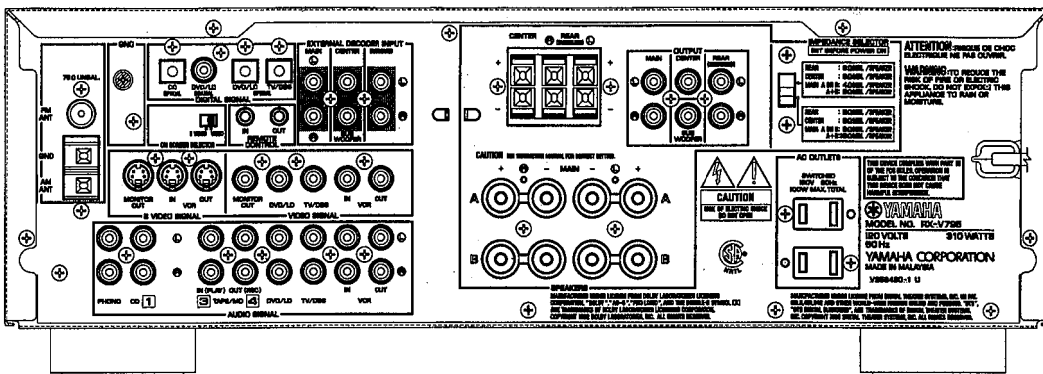


▼RX-V795RDS B, G models

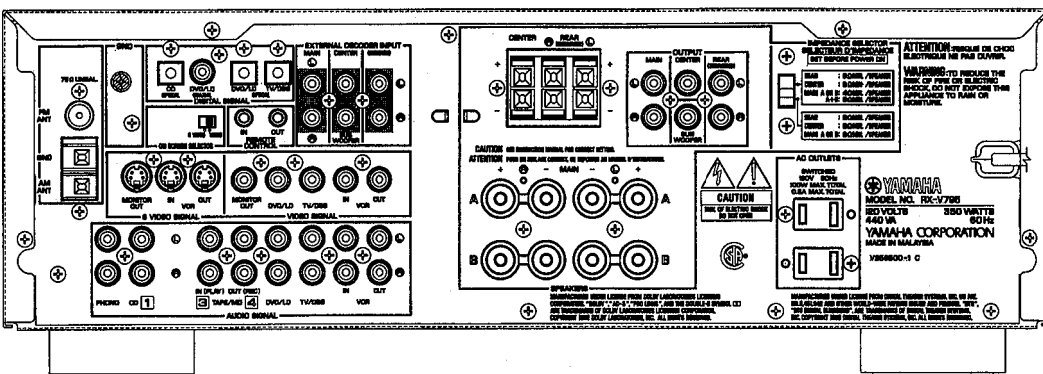


REAR PANELS

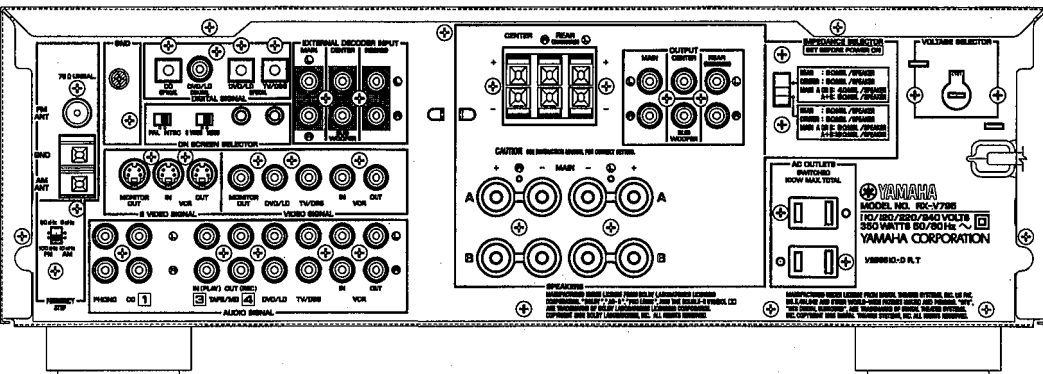
▼RX-V795/R-V1105 U model



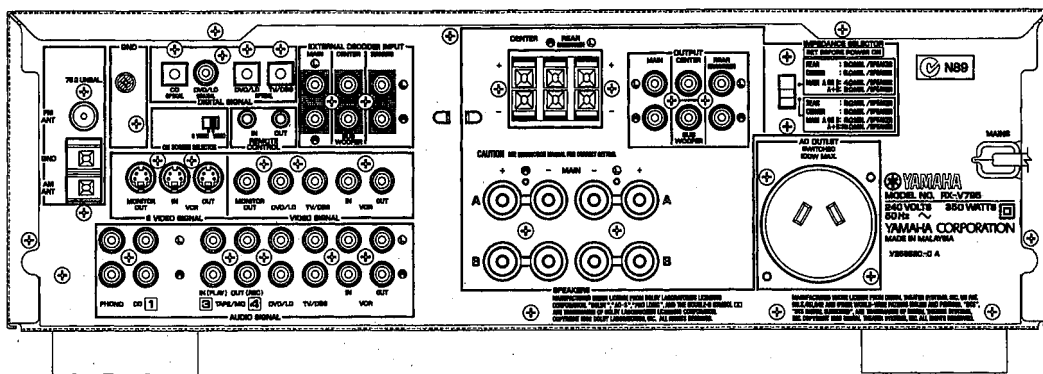
▼RX-V795/R-V1105 C model



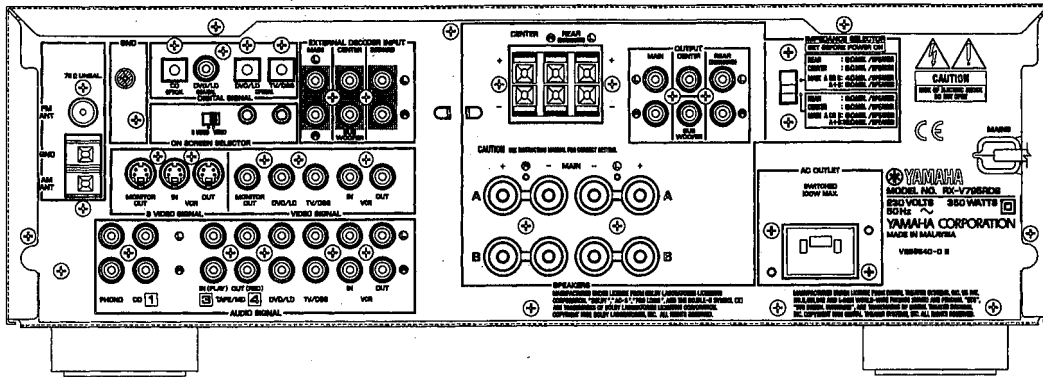
▼RX-V795/R-V1105 R,T models



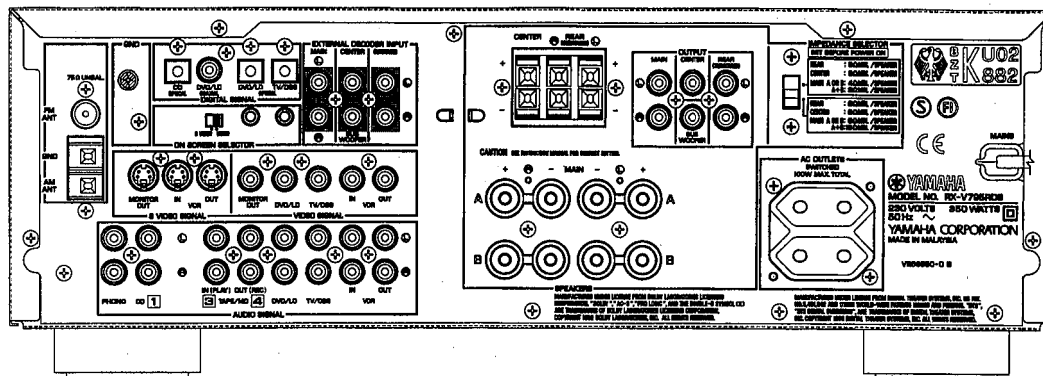
▼RX-V795/R-V1105 A model



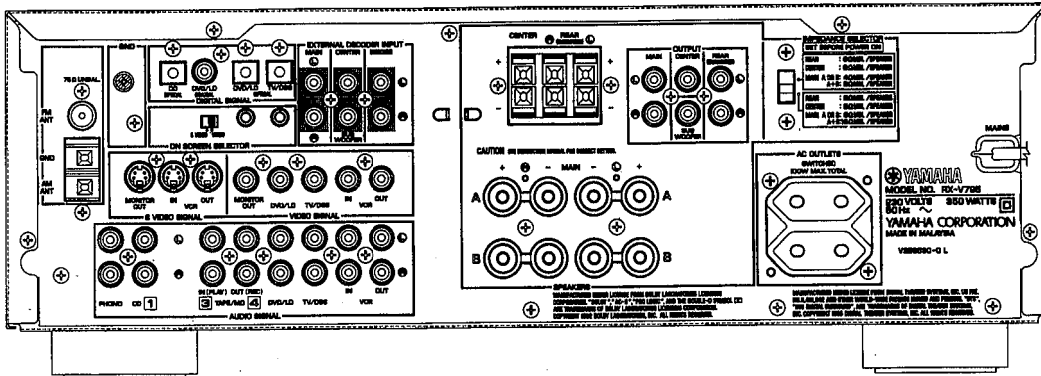
▼RX-V795RDS B model



▼RX-V795RDS G model

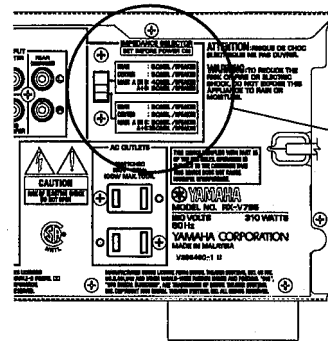


▼RX-V795 L model



WARNING

Do not change the IMPEDANCE SELECTOR switch setting while the power to this unit is on, otherwise this unit may be damaged.



IMPEDANCE SELECTOR

■ SPECIFICATIONS

■ AUDIO SECTION

Minimum RMS Output Power per Channel

RX-V795

MAIN, 20Hz to 20kHz, 0.04% THD, 8Ω	85W+85W
CENTER, 20Hz to 20kHz, 0.04% THD, 8Ω	85W
REAR, 20Hz to 20kHz, 0.04% THD, 8Ω	85W+85W

R-V1105

MAIN, 1kHz, 0.07% THD, 8Ω	100W+100W
CENTER, 1kHz, 0.07% THD, 8Ω	100W
REAR, 1kHz, 0.07% THD, 8Ω	100W+100W

Maximum Power per Channel (R,T models only)

MAIN L/R, 1kHz, EIAJ, 10% THD, 8Ω	125W+125W
CENTER, 1kHz, EIAJ, 10% THD, 8Ω	125W
REAR L/R, 1kHz, EIAJ, 10% THD, 8Ω	125W+125W

Dynamic Power per Channel (IHF)

MAIN L/R, 8/6/4/2Ω	115/140/170/200W
--------------------	------------------

Dynamic Headroom (U, C, models only)

MAIN L/R, 8Ω	1.31dB
--------------	--------

DIN Standard Output Power Per Channel

B, G, L Models	
MAIN L/R, 1kHz, 0.7% THD, 4Ω	130W

IEC Power (L model only)

MAIN L/R, 1kHz, 0.04% THD, 8Ω	95W
-------------------------------	-----

Power Band Width

MAIN L/R, 0.09% THD, 40W/8Ω	10Hz to 50kHz
-----------------------------	---------------

Damping Factor

MAIN L/R, 20Hz to 20kHz, (SP.A) 8Ω	80 or more
------------------------------------	------------

Input Sensitivity/Impedance

PHONO MM	2.5mV/47kΩ
CD, etc	150mV/47kΩ

Maximum Input Signal Level

PHONO MM, 1kHz, 0.04% THD	110mV or more
CD, etc, 1kHz, 0.5% THD (Effect on)	2.2V or more

Output Level/Impedance

REC OUT	150mV/1.0kΩ
PRE OUT	2.6V/1.1kΩ
SUB WOOFER (MAIN SP : SMALL)	4.0V/1.2kΩ

Headphone Jack Rated Output/Impedance

1kHz, 150mV, 8Ω	0.55V/390Ω
-----------------	------------

Frequency Response (20Hz to 20kHz)

CD, etc, MAIN	0±0.5dB
---------------	---------

RIAA Equalization Deviation (20Hz to 20kHz)

PHONO MM	0±0.5dB
----------	---------

Total Harmonic Distortion (20Hz to 20kHz)

PHONO MM to REC OUT (1V)	0.02% or less
CD, etc to MAIN SP OUT (40W/8Ω)	0.025% or less

Signal-to-Noise Ratio (IHF-A-Network)

PHONO MM, Input Shorted (5mV) REC OUT	
U, C, R, T models	86dB or more
B, G, A, L models	82dB or more
CD, etc, Input Shorted, SP OUT (Effect off)	96dB or more

Residual Noise (IHF-A-Network)

MAIN L/R, SP OUT	170μV or less
------------------	---------------

Channel Separation (Vol. -30dB, Effect off)

PHONO MM, Input Shorted, 1kHz/10kHz	60dB or more/55dB or more
CD, etc, Input 5.1kΩ Shorted, 1kHz/10kHz	60dB or more/45dB or more

Tone Control Characteristics

BASS : Boost/cut	±10dB (50Hz)
Turnover Frequency	350Hz
TREBLE : Boost/cut	±10dB (20kHz)
Turnover Frequency	3.5kHz

Filter Characteristics

MAIN, REAR SP SMALL : H.P.F. fc = 90Hz, 12dB/oct.

SUB WOOFER : L.P.F. fc = 90Hz, 18dB/oct.

Bass Extension (MAIN L/R) +6dB (50Hz)

Gain Tracking Error (0dB to -60dB) 3dB or less

Tuner Output Level/Impedance

FM (100% mod.)

1kHz U, C, R, T models 550mV

40kHz Dev. A, B, G, L models 550mV

AM (30% mod. 1kHz) 150mV

■ FM SECTION

Tuning Range

U, C models 87.5 to 107.9MHz

A, B, G, L models 87.5 to 108.00MHz

R, T models 87.5 to 108.0/87.5 to 108.00MHz

50dB Quieting Sensitivity (IHF, 75 Ω)

U, C, R, T models

Mono 1.6μV (15.3dBf)

Stereo 23μV (38.5dBf)

Usable Sensitivity (75 Ω)

A, B, G, L models

DIN, MONO (S/N 26dB) 0.9μV

DIN, STEREO (S/N 46dB) 28μV

Alternate Channel Selectivity

U, C, R, T models 75dB

Selectivity (two signals, 40kHz Dev.)

A, B, G, L models 55dB

Signal-to-Noise Ratio

Mono/Stereo (IHF)

U, C, R, T models 81/75dB

Mono/Stereo (DIN-weighted, 40kHz Dev.)

A, B, G, L models 75/69dB

Harmonic Distortion

Mono/Stereo (1kHz) 0.1/0.2%

Stereo Separation

1kHz 48dB

Frequency Response

20Hz to 15kHz 0±1.0dB

■ AM SECTION

Tuning Range

U, C models 530 to 1,710kHz

A, B, G, L models 531 to 1,611kHz

R, T models 530 to 1,710/531 to 1,611kHz

Usable Sensitivity 300μV/m

Signal-to-Noise Ratio 52dB

■ VIDEO SECTION


Video Signal Type	
U, C models	NTSC
A, B, G, L models	PAL
R, T models	NTSC/PAL
Video Signal Level 1Vp-p/75Ω	
S-Video Signal Level	
Y	1Vp-p/75Ω
C	0.286Vp-p/75Ω
Maximum Input Level 1.5Vp-p or more	
Signal-to-Noise Ratio 50dB or more	
Monitor Output Frequency Response 5Hz-10MHz, -3dB	

■ GENERAL

Power Supply	
U, C models	AC 120V, 60Hz
A model	AC 240V, 50Hz
B, G, L models	AC 230V, 50Hz
R, T models	AC 110/120/220/240V, 50/60Hz
Power Consumption	
U model	310W
C model	350W/440VA
A, B, G, L, R, T models	350W
Maximum Power Consumption (R model only) 690W	
AC Outlets	
U, C, G, L, R, T models, Switched x 2 ...	100W max (Total)
B, A model, Switched x 1	100W max
Dimensions (W x H x D) 435 x 151 x 391mm (17-1/8" x 5-15/16" x 15-3/8")	
Weight 13.0kg (28 lbs 11oz)	
Accessories AM loop antenna x 1 Indoor FM antenna x 1 Remote Control Transmitter x 1 Battery (size "AA", "R06") x 2	

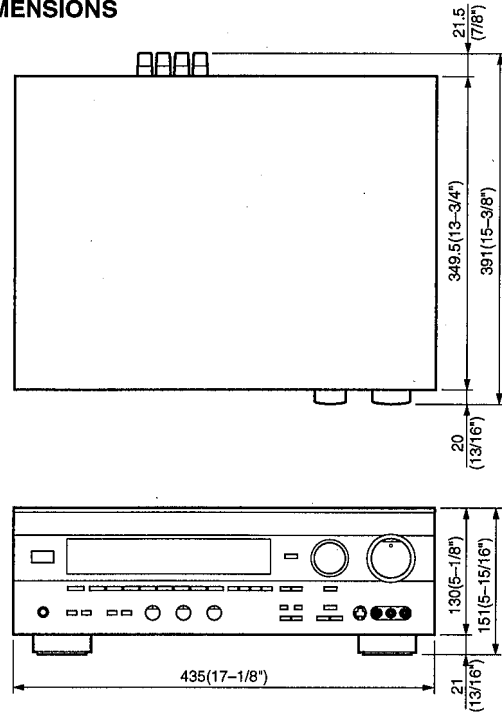
* Specifications subject to change without notice.

- U USA model
- C Canadian model
- A Australian model
- B British model
- G European model
- L Singapore model
- R General model
- T China model

Manufactured under license from Dolby Laboratories Licensing Corporation. "Dolby", "AC-3", "Pro Logic", and the double-D symbol  are trademarks of Dolby Laboratories Licensing Corporation. Copyright 1992 Dolby Laboratories, Inc. All rights reserved.

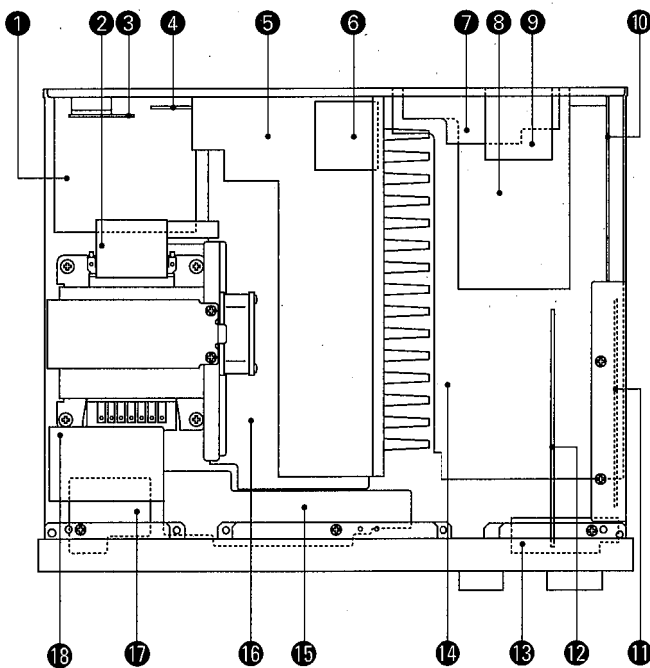
Manufactured under license from Digital Theater Systems, Inc. US Pat. No. 5,451,942 and other world-wide patents issued and pending. "DTS Digital Surround", are trademarks of Digital Theater Systems, Inc. Copyright 1996 Digital Theater Systems, inc. All rights reserved.

● DIMENSIONS



Units : mm (inch)

■ INTERNAL VIEW



- ① P. C. B. INPUT (3)
- ② P. C. B. MAIN (6)
- ③ P. C. B. INPUT (4) (R, T models)
- ④ P. C. B. MAIN (5)
- ⑤ P. C. B. MAIN (2)
- ⑥ P. C. B. MAIN (7)
- ⑦ P. C. B. OPERATION (4)
- ⑧ P. C. B. INPUT (2)
- ⑨ P. C. B. OPERATION (5)
- ⑩ P. C. B. TUNER
- ⑪ P. C. B. DSP
- ⑫ P. C. B. OPERATION (2)
- ⑬ P. C. B. OPERATION (6)
- ⑭ P. C. B. INPUT (1)
- ⑮ P. C. B. OPERATION (3)
- ⑯ P. C. B. MAIN (1)
- ⑰ P. C. B. MAIN (4)
- ⑱ P. C. B. MAIN (3)

■ DISASSEMBLY PROCEDURES (Remove parts in disassembly order as numbered.)

1. Removal of Top Cover

a. Remove 4 screws (①), and 4 screws (②) in Fig. 1.

2. Removal of Bottom Cover

a. Remove 6 screws (③) in Fig. 1.

3. Removal of Front Panel

a. Remove 5 knobs.

b. Remove 6 screws (④) in Fig. 1.

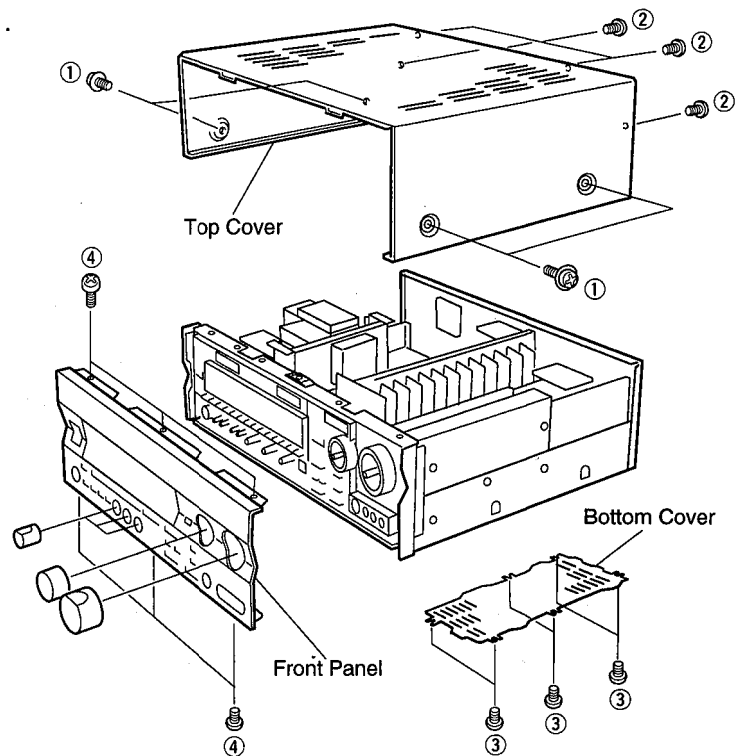


Fig. 1

■ SELF DIAGNOSIS FUNCTION

1. PURPOSE AND OPERATION

The RX-V795/R-V1105/RX-V795RDS has a Self Diagnosis Function to locate a faulty part, if any, by inspecting and taking measurements.

There are 11 main items in the diagnostic menu and some of them have sub-menu items as listed below.

No.	MAIN MENU	SUB MENU	REMOTE CODE
1	ANALOG THROUGH	1. MAIN BYPASS 2. DSP 0dB	7A-88 : DSP/1 ----
2	DSP THROUGH	1. YSS918-SRAM 2. YSS918 3. DSP FULL BIT	7A-89 : DSP/2 ---- ----
3	AC-3/DTS THROUGH	1. STATUS (BINARY FORM)	----
4	PRO LOGIC	1. CENTER LARGE 2. EFFECT OFF	7A-8A : DSP/3 ----
5	SPEAKERS SET	1. MAIN : SMALL 0dB 2. MAIN : LARGE 0dB 3. MAIN : LARGE -10dB 4. LFE/BASS : MAIN CENTER : NONE 5. LFE/BASS : MAIN 6. LFE/BASS : SWFR 7. CENTER : NONE 8. CENTER : SMALL REAR : SMALL 9. FRONT MIX	7A-8B : DSP/4 7A-8C : DSP/5 7A-8D : DSP/6 7A-8E : DSP/7 7A-8F : DSP/8 7A-90 : DSP/9 7A-91 : DSP/11 ---- 7A-85 : DSP/15
6	EFFECT OFF /DISPLAY CHECK	1. EFFECT OFF 2. VFD DISP OFF 3. VFD DISP ALL 4. VFD DIMMER 5. CHECKED PATTERN	7A-56 : DSP or .../16 ---- ---- ---- ----
7	MANUAL TEST	1. ALL 2. MAIN L 3. CENTER 4. MAIN R 5. REAR R 6. REAR L 7. LFE	---- ---- ---- ---- ---- ---- ----
8	FACTORY PRESET	1. INHIBIT(Inhibit Memory Init) 2. RESERVED (Init. Memory)	---- ----
9	AD DATA CHECK	1. ---- 2. KEYO, KEY1 3. KEY2, REC OUT 4. TUNING SIGNAL HEAT SINK TEMP. 5. DC PROTECTION PS PROTECTION	---- ---- ---- ---- ---- ----
10	STATUS	1./2. DSP CPU STATUS (1)/(2) 3./4. CHANNEL STATUS (1)/(2) 5./6. SUB CPU VERSION (1)/(2) 7./8. SUB CPU CHECK SUM (1)/(2) 9./10. BSI0 (1)/(2) 11./12. BSI1 (1)/(2) 13./14. BSI2 (1)/(2) 15./16. BSI3 (1)/(2) 17./18. BSI4 (1)/(2) 19./20. BSI5 (1)/(2)	---- ---- ---- ---- ---- ---- ---- ---- ---- ----
11	VERSION CHECK /CPU CHECK SUM /EXIT	1. MAIN MC CHECK SUM 2. DSP MC CHECK SUM 3. MAIN M.C. VERSION 4. SUB M.C. VERSION 5. PORT INFORMATION 6. EXIT	---- ---- ---- ---- ---- ----

2. BEGINNING AND CANCELLATION

(1) STARTING UP THE FUNCTION AND THE DISPLAY

There are two ways to start up. One is by using the front panel keys, another is by using the remote control transmitter. After starting up, the menu No. 1 is worked.

A. How to start test mode

There is a method of starting the self-diagnosis function.

Using the keys on the main unit:

Hold down the "INPUT MODE" and "FM/AM" keys simultaneously, and press the "STANDBY/ON" key; submenu No. 1 of diagnosis main menu No. 1 will start.

B. Settings for start-up of diagnostic program

The settings used when starting the diagnostic program are as follows.

1. EFFECT LEVEL :

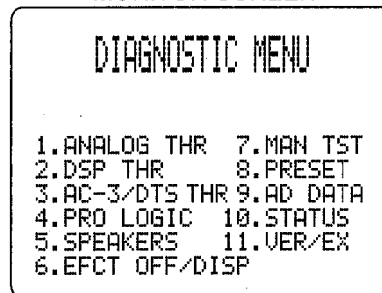
CHANNEL	CENTER	R SUR.	L SUR.	SWFR
LEVEL (dB)	0	0	0	0

- 2. MUTING : OFF
- 3. INPUT (VIDEO) : DVD/LD (DVD/LD)
- 4. CENTER SPEAKER : LARGE
- 5. REAR SPEAKER : LARGE
- 6. MAIN SPEAKER : LARGE
- 7. LFE/BASS OUT : SWFR

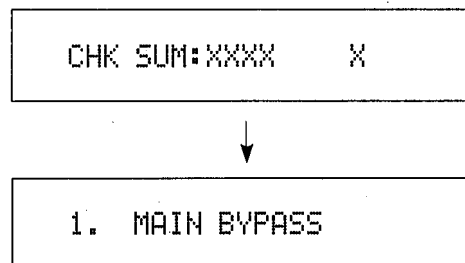
C. Start-up display

The diagnostic menu list appears on the monitor screen and the information of the protection function appears on the front panel display of the main unit.

MONITOR SCREEN



On the FL display of the main unit, an opening message (or the history of the protection) appears for 2 seconds before the diagnostic menu No.1 MAIN BYPASS.



● FL display at start-up of diagnostic program

When the diagnostic program has started, the history (*2) of the protection function (*1) is displayed. If the protection function has been activated in the past, the type and voltage value are displayed. After a few seconds the diagnosis function menu will appear.

(*1) If some faulty condition is detected in the excess current, the power source or the DC, the power will be turned off automatically.

(*2) The protection records will be cleared when "PRESET RSRVD" is selected in diagnosis menu No. 8 and FACTORY PRESET is engaged.

● History of protection function

Each case of the history of the protection function is displayed as shown below.

```
CHK SUM:XXXX X
```

Main microprocessor check sum (4-digit, hexadecimal) and version (one letter) display

* Used when checking on-board writing to main microprocessor.

```
I PROTECTION
```

Appears when the current protection function is operating.

When power is turned on in an abnormal status, the power relay will come on, protection will operate immediately, and power will turn off.

```
PS PRT : XX%
```

Appears when the power protection function is operating.

For the % value, the voltage at that point is shown by 5V/100%. When power is turned on in an abnormal status, power will turn off after half a second.

```
DC PRT : XX%
```

Appears when the power amp DC protection function is operating.

For the % value, the voltage at that point is shown by 5V/100%. When power is turned on in an abnormal status, power will turn off after two seconds.

```
TMP PRT : XX%
```

Appears when the heat sink thermal protection function is operating.

For the % value, the voltage at that point is shown by 5V/100%. When power is turned on in an abnormal status, power will turn off after one second.

(2) EXITING METHOD

The diagnosis function can be exited by any of the following procedures. Take care with the setting of backup memory initialization menu (diagnosis No. 8) when exited the diagnosis function:

1. Select diagnosis menu No. 11/submenu No. 6 "EXIT".
2. Press the "STANDBY/ON" key on the main unit or "STANDBY" key on the remote control to turn power off.

3. OPERATION AND DISPLAY WHEN STARTING DIAGNOSIS FUNCTION

(1) Selection of diagnostic menu

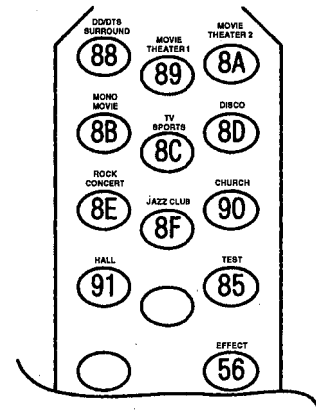
The diagnostic menu and the sub-menu can be selected by using the front panel keys of the main unit or the remote control unit.

● Selection by using the front panel keys

The main menu can be changed cyclically by using the "TUNING UP/DOWN" keys; and the submenu, by using the "PROGRAM +/-" keys. The "+" or "UP" key will increase the main or submenu number.

● Selection by using the remote control unit

The remote control codes in the menu list (on page 8) correspond to the DSP program, test and effect keys. See the figure on the right.



(2) Display during Menu Operation

During diagnosis function, the diagnostic menu will appear on the superimposed screen, except for main menu No. 6. As a rule, the main menu No. and submenu No. will appear in the FL display.

(3) Other functions available while diagnosis function is active

Listed below are the other functions available while the diagnosis function is active.

- Selecting input source (Tape monitor/Ext. decoder)
- Adjusting effect level (Center, Rear, Sub-woofer)
- Adjusting master volume
- Muting on/ off
- Tuning power off

(4) Diagnosis default status

When not otherwise specified, default settings and values in each menu are as follows:

- All "SPEAKERS" : LARGE
- ALL electronic VRs : 0dB
- D-RANGE : MAX
- LFE LEVEL : 0dB
- CENTER DELAY : 0ms

4. CONTENTS OF DIAGNOSIS FUNCTION

This section describes the contents of the self diagnosis function in detail.

(1) ANALOG THROUGH

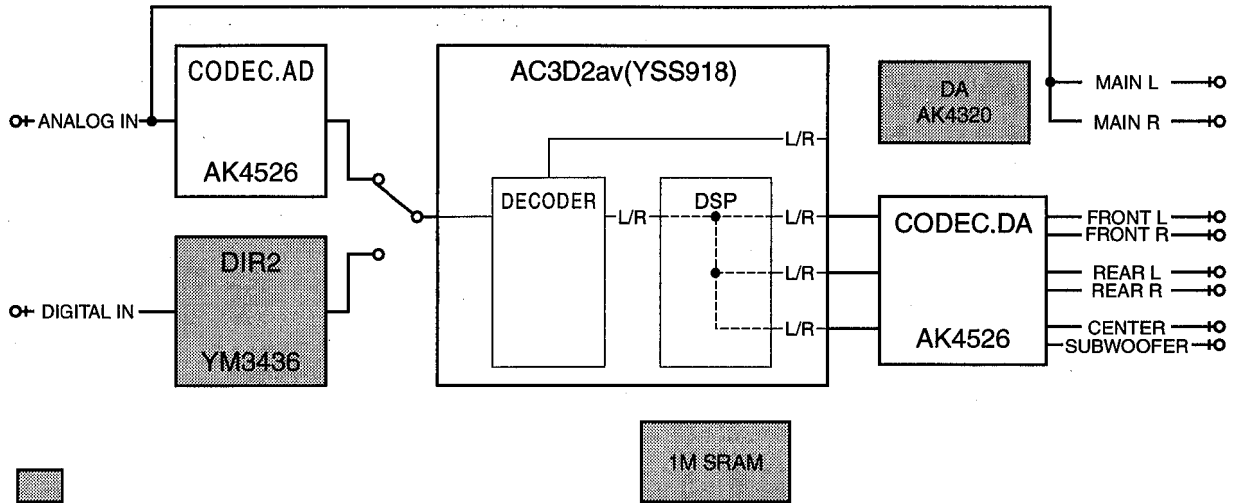
The input is fixed to analog (A/D). There are two submenus.

1. MAIN BYPASS

The MAIN L/R signals bypass the analog circuits to be output.

For C/LFE, FL/FR and RL/RR, the MAIN L/R signals via the DSP are output without being processed (through).

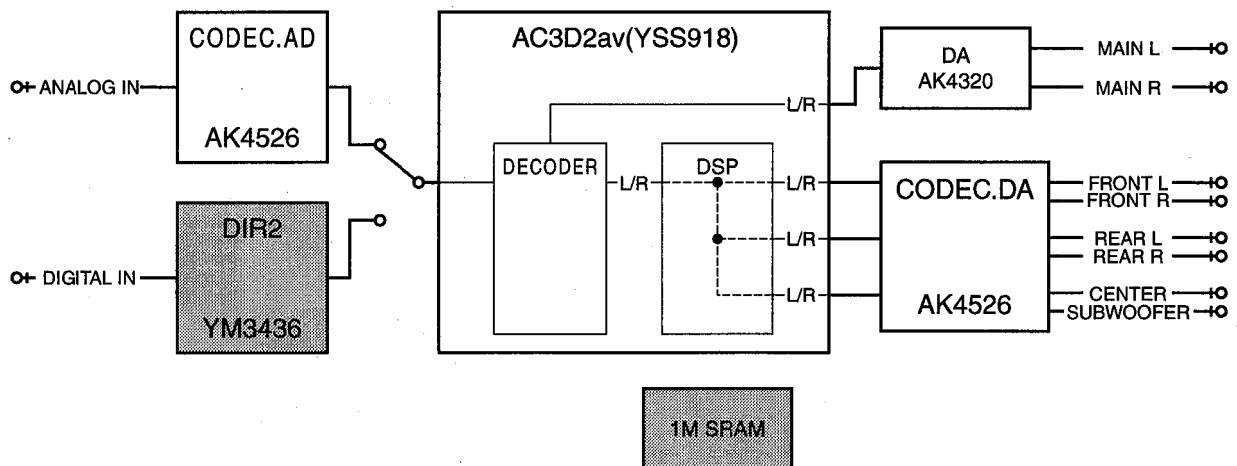
(Remote control code 7A-88 : DSP/1)



This shows that the device is not operating.

2. DSP 0dB

MAIN L/R, C/LFE, FL/FR and RL/RR pass through the DSP without being processed.

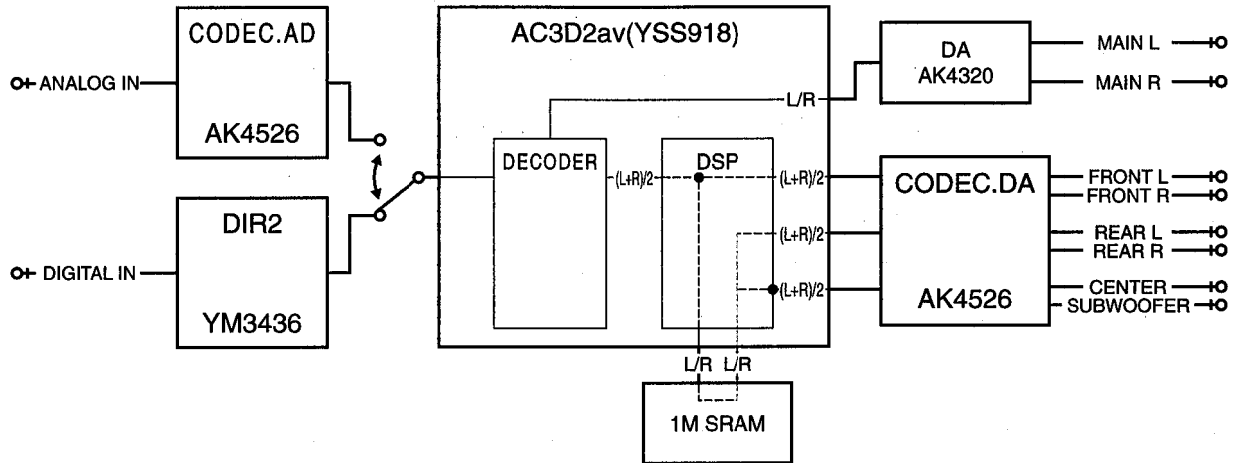


(2) DSP THROUGH

The input is automatically discriminated by signal detection and switched with priorities AC3>DTS>PCM AUDIO>analog. There are the following three submenus.

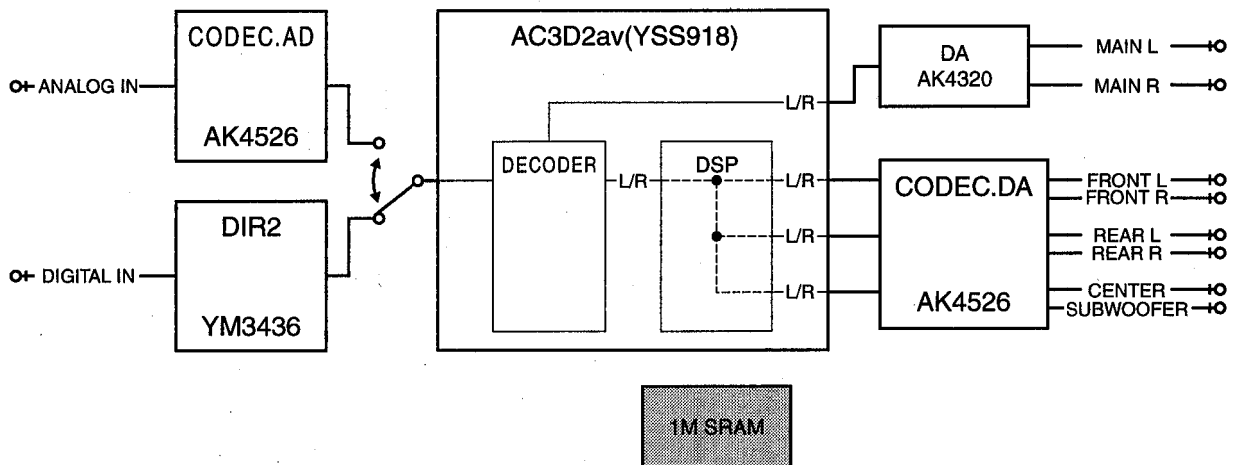
1. YSS918-SRAM

MAIN L/R are input to the DSP via AC3D2av, pass through SRAM, and are then output to all channels without being processed. (Remote control code 7A-89 : DSP/2)



2. YSS918

MAIN L/R are input to the DSP via AC3D2av, and then output to all channels without being processed.



3. DSP FULL BIT

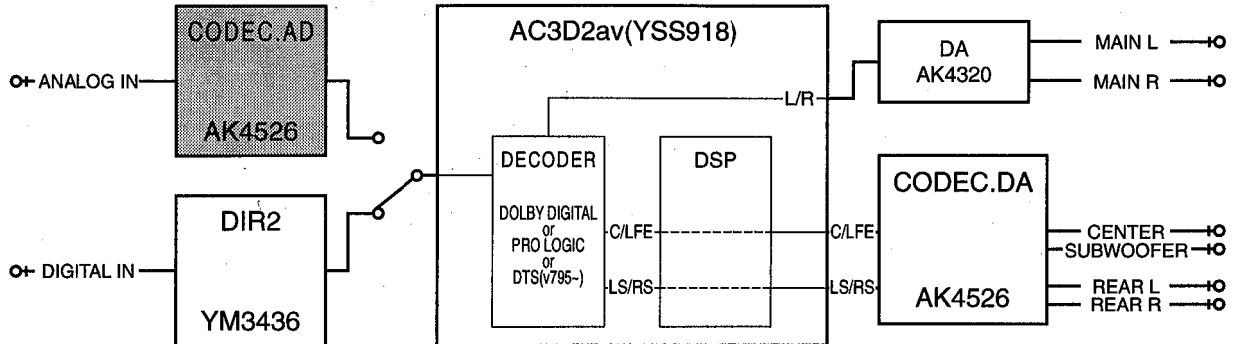
MAIN L/R are input to the DSP via AC3D2av, and then output to all channels without being processed. The head margin is abolished, and DSP outputs digital full-bit signals. Same as the above menu, except that the digital data is output to DA with full bits.

(3) AC3/DTS THROUGH

The input is digital signal only. Dolby Digital (AC-3) or DTS decoding operation is executed, according to the input source.

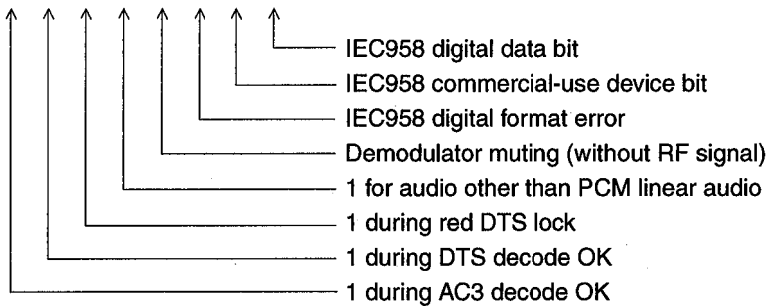
1. ST:10001001

AC3 decoded signals are output to each channel via AC3D2av.



Ac3 Status Info. : Bit 7 6 5 4 3 2 1 0

1 0 0 0 1 0 0 1

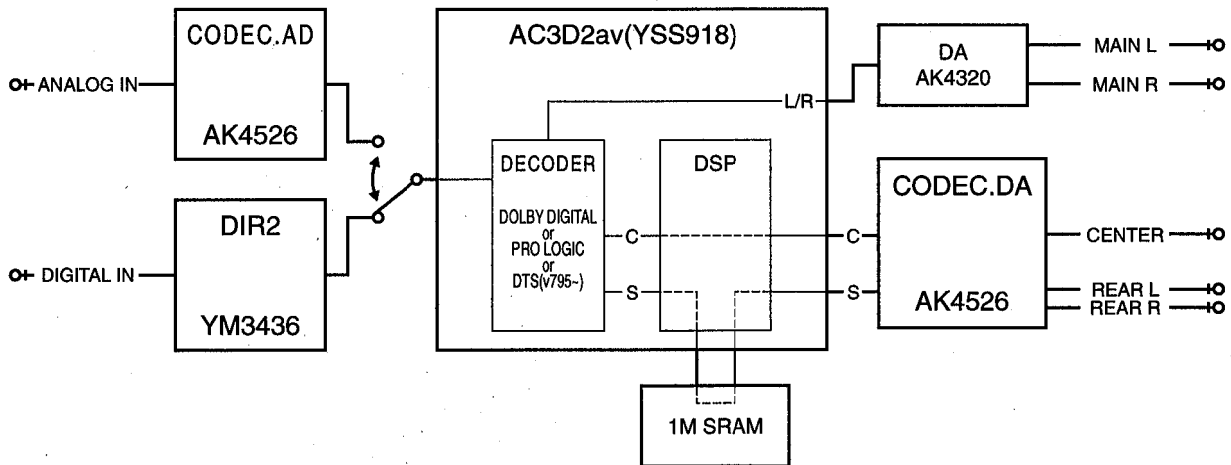


(4) PRO LOGIC

The input is automatically discriminated by PCM>analog. DTS is prohibited. The submenu is switched between PRO LOGIC (AUTO BALANCE OFF) and EFFECT OFF.

1. PRO CNTR:LRG

The input is automatically detected whether it is RF, PCM or analog. With analog, PCM audio or Dolby Digital (AC-3) 2/0 input, the L, R, C and S signals are prologic decoded and output. With Dolby Digital (AC-3) other than 2/0, PRO LOGIC does not operate, and Dolby Digital (AC-3) playback is executed. (Remote control code 7A-8A : DSP/3)



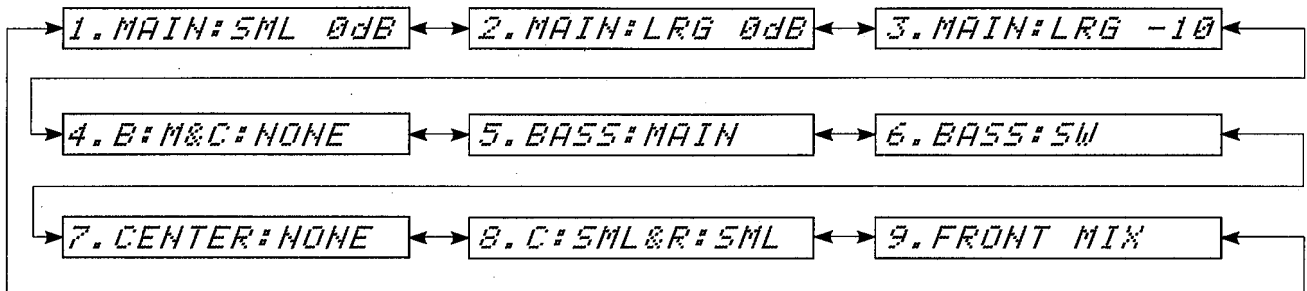
2. PRO EFFECT:OFF

MAIN L/R are bypassed and output.

(5) SPEAKERS SET

The input is automatically discriminated by AC3>DTS>PCM>analog. The L/R signals are output to the channels specified by the submenu without being processed (through).

There are the following 9 submenu items: The signal from the DSP block is normally in the effect off status for menu items 1-4. For other menu items, the same signal as in 2. DSP THROUGH: YSS918 menu is output.



The analog switches in each submenu are set as follows:

	SUB MENU	REMOTE CODE	CENTER SP	REAR SP	MAIN SP	MAIN LVL	LFE/BASS	OUTPUT
1	MAIN:SML 0dB	7A-8B	LARGE	LARGE	SMALL	0dB	SWFR	MAIN L/R
2	MAIN:LRG 0dB	7A-8C	LARGE	LARGE	LARGE	0dB	SWFR	MAIN L/R
3	MAIN:LRG -10	7A-8D	LARGE	LARGE	LARGE	-10dB	SWFR	MAIN L/R
4	B:M&C:NONE	7A-8E	NONE	LARGE	LARGE	0dB	MAIN	MAIN L/R
5	BASS:MAIN	7A-8F	LARGE	LARGE	LARGE	0dB	MAIN	LFE -> L/R
6	LFE/BASS:SWFR	7A-90	LARGE	LARGE	LARGE	0dB	SWFR	LFE -> SWFR
7	CENTER:NONE	7A-91	NONE	LARGE	LARGE	0dB	SWFR	CENTER -> L/R
8	C:SML&R:SML	---	SMALL	SMALL	LARGE	0dB	SWFR	CENTER/REAR
9	FRONT MIX	7A-85	LARGE	LARGE	LARGE	0dB	SWFR	FRONT -> L/R

LARGE: Mode in which speakers with high bass-sound playback capability (large unit) are used. Full frequency band widths is output.

SMALL: Mode in which speakers with low bass-sound playback capability (small unit) are used. Frequencies below 90 Hz are mixed with the channel specified by LFE/BASS.

NONE: Mode in which center speaker is not used. The center audio signal is reduced by 3dB and mixed into MAIN L/R.

M : MAIN

C : CENTER

R : REAR

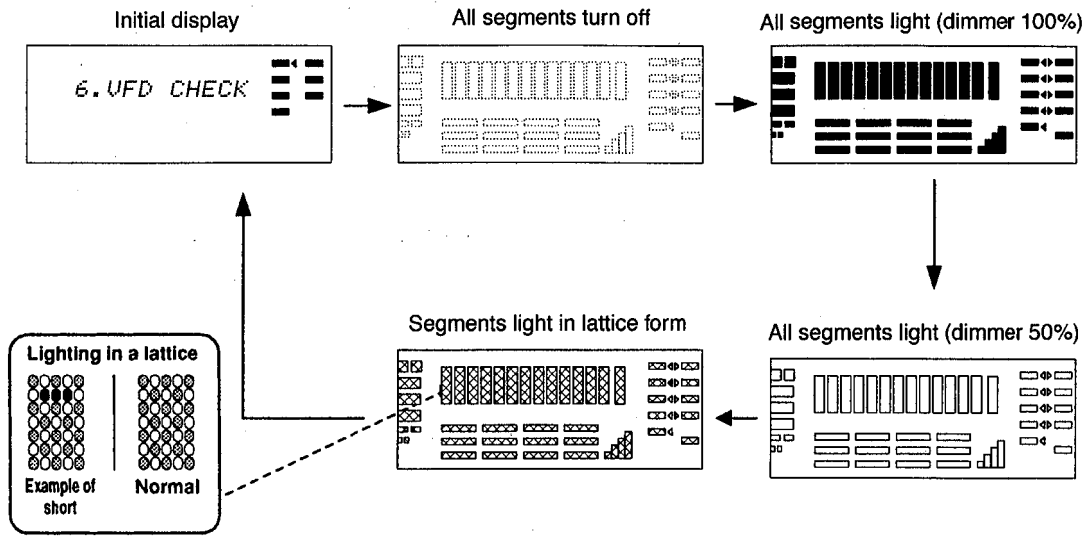
SWFR : SUBWOOFER

B : BASS

Output : The signal before MASTER VOLUME is indicated.

(6) DISPLAY CHECK

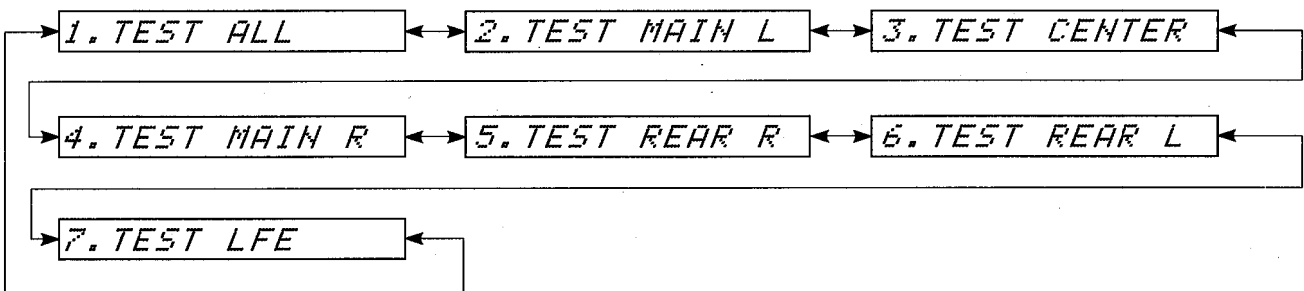
Check program for FL display. The display status will change as follows with submenu operation. The signal is processed with EFFECT OFF.
 For switching between internal and external sync commanded by the microprocessor, the forced external sync is selected. (Remote control code 7A-56 : DSP/16)



All segments are turned on and off to detect defects in the FL driver (IC102) and FL display segments. Then the FL driver operation is checked by the dimmer control. Finally, all segments are turned on and off alternately (in lattice form), to check for a short-circuit between adjacent segments.

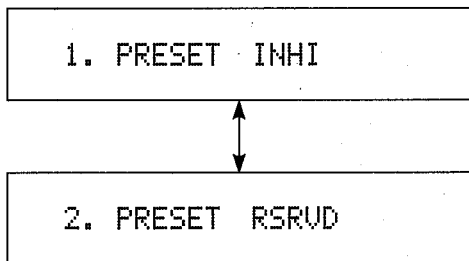
(7) MANUAL TEST

The noise generator built into the DSP outputs test noise from the channel specified by the submenu.



(8) FACTORY PRESET

The initialization of the backup RAM, which contains DSP sound field parameters, set menu contents, etc. is reserved or inhibited. The signal is processed with EFFECT OFF.



Inhibits initialization of the RAM. Specify this option to protect user set values.

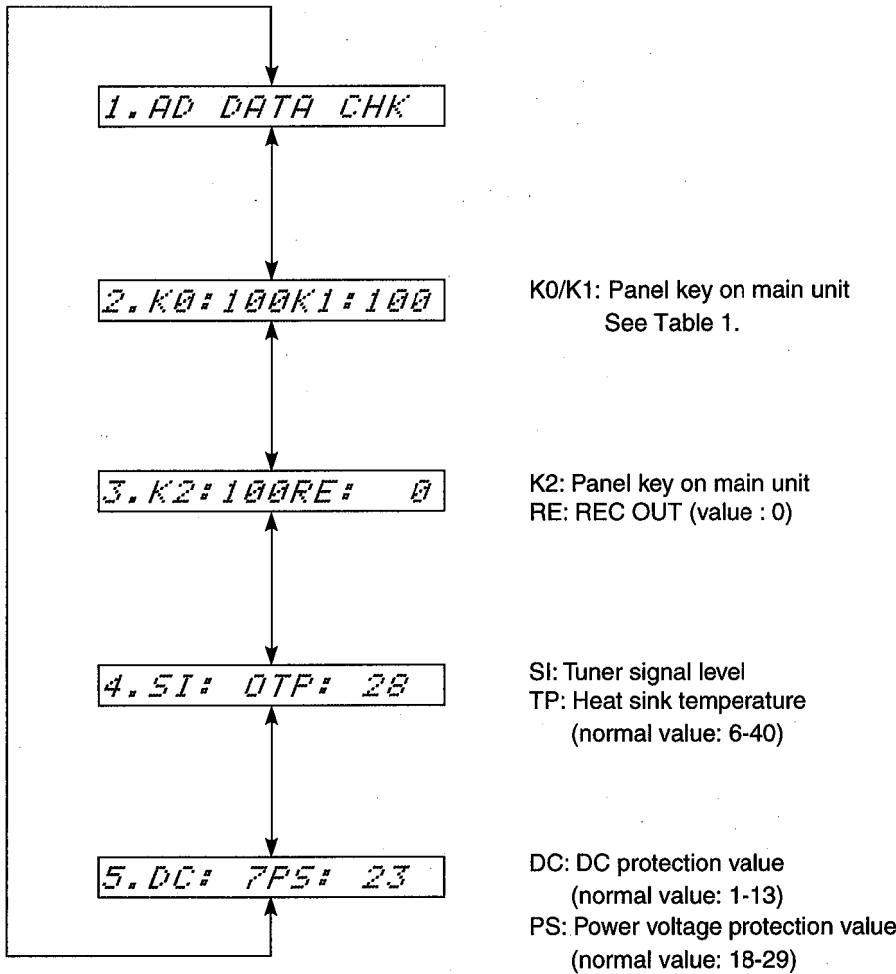
Reserve to initialize the backup RAM. (The RAM is actually initialized when power is turned on next time.) Specify this option at the factory or to reset the RAM. For each initial value, see page 20.

CAUTION : Before setting to the PRESET RESERVED, write down the existing preset memory content of the Tuner in a table as shown below. (This is because setting to the PRESET RESERVED will cause the user memory content to be erased.)

Preset group	P1	P2	P3	P4	P5	P6	P7	P8
A								
B								
C								
D								
E								

(9) AD DATA CHECK

The A/D conversion values of the main CPU which detects key scan, protection, etc. are displayed in % (100%: 5V). All signal processing before this menu is executed will be held. The keys on the main unit cannot be operated to detect the values of all keys in the K0/K1 and K2/RE pages. Turning the rotary encoder (input selector on the main unit) will switch the submenu.



AD Value	0	10	20	30	40
K0	TUNING UP	TUNING DOWN	FM/AM	TUNING MODE	EDIT
K1	A/B/C/D/E	1	2	3	4
K2	EXT. DECODER	INPUT MODE	EFFECT	PROG >	PROG <

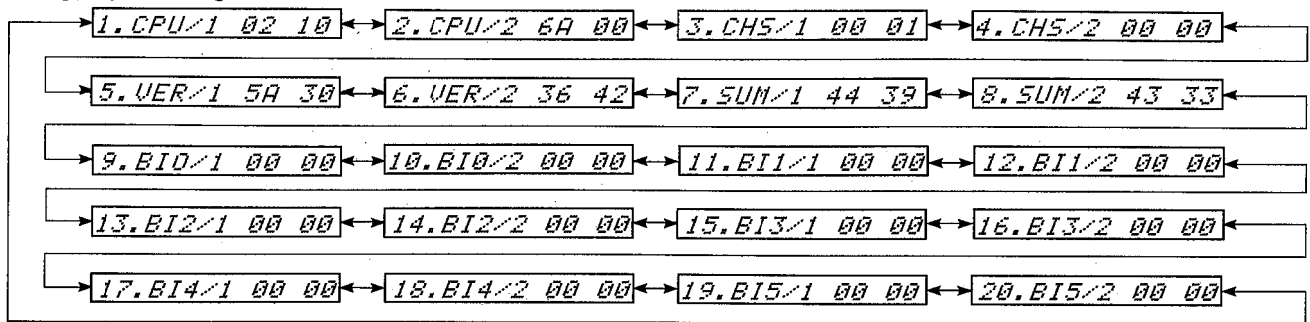
AD Value	50	60	70	80	90
K0	MEMORY	EON	RDS MODE/FREQ	PTY START	PTY MODE
K1	5	6	7	8	X
K2	+	-	SET MENU	LEVEL	X

Caution

1. If K0/K1/K2 are more than ±4% from the reference values, normal operation will not be executed.
2. If TP is 5% or less, the protection function will operate and power will turn off. If it is 40% or more, it is possible that there is an abnormality in the thermal detection system.
3. If DC and PS are outside the normal values, the protection function will operate and power will turn off.

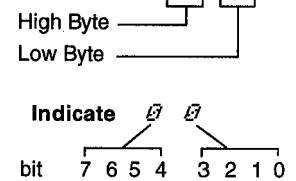
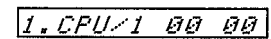
(10) STATUS FROM DSP MICOM

The status data from the DSP microprocessor is sequentially displayed in a hexadecimal number. All signal processing before this menu is executed will be held.



[CPU/1] <High Byte>

bit7	MUTE Request	bit3	acmod 0000B:1+1 0001B:1/0
bit6	fs 000B:analog 001B:32k	bit2	0010B:2/0 0011B:3/0
bit5	010B:44.1k 011B:48kHz	bit1	0100B:2/1 0101B:3/1
bit4	others:not defined	bit0	0110B:2/2 0111B:3/2 1000B:7.1



acmod: If it is 1000B or more with DTS 7.1 signal, the DSP block will be muted.

<Low Byte>

bit7	AC3 DECODE OK	bit3	DEM MUTE (without RF signal)
bit6	DTS DECODE OK	bit2	IEC958 digital format error
bit5	Red DTS record (flashes ad lights)	bit1	IEC958 commercial-use device bit
bit4	1 in audio models other than PCM linear audio	bit0	IEC958 digital data bit (DAT, CD-ROM, etc.)

Indicate	bit			
	3	2	1	0
0	0	0	0	0
1	0	0	0	1
2	0	0	1	0
3	0	0	1	1
4	0	1	0	0
5	0	1	0	1
6	0	1	1	0
7	0	1	1	1
8	1	0	0	0
9	1	0	0	1
A	1	0	1	0
B	1	0	1	1
C	1	1	0	0
D	1	1	0	1
E	1	1	1	0
F	1	1	1	1

[Note]

IEC958: Standard to identify the PCM bit stream signal. Digital format error refers to a digital signal with the sampling frequency undefined (neither 44.1k, 32k nor 48k). Since the operation of each device cannot be assured at fs outside specifications, the sub-microprocessor handles this status as the forced analog mode (ignored even if decoding is OK from the detection terminal level), and selects the signal from the analog input terminal. Since the sub-microprocessor transmits 000B (analog) for STATUS#0 bits 4-6 to the main microprocessor, the main microprocessor visually operates in the same way as with digital unlocking.

[CPU/2] <High Byte>

bit7	AC3 KARAOKE	bit3	On-board write mode
bit6	DIR2 LOCKN	bit2	The number of digital inputs is 2 "0"
bit5	DIR2 ERR	bit1	DSP is AC3D2 (DTS present) "1"
bit4	AC3D MUTE	bit0	RF DEM present

<Low Byte> Always "00"

[CHS/1/2] IEC958 channel status bits 00-31 available from DIR2

- <CHS/1 Hi-byte> bits 00-07
- <CHS/1 Lo-byte> bits 08-15
- <CHS/1 Hi-byte> bits 16-23
- <CHS/1 Lo-byte> bits 24-31

[VER/1/2] 4-byte ASCII code of sub CPU version data

[SUM/1/2] Displays the check sum of sub microprocessor program area with ASCII 4 bytes in a hexadecimal number.

[BI0/1/2] Displays the bit stream information contained in Dolby Digital (AC-3)/DTS signal from the first byte.

[BI1-5/1/2] Displays the bit stream information contained in Dolby Digital (AC-3) signal from the fifth byte.

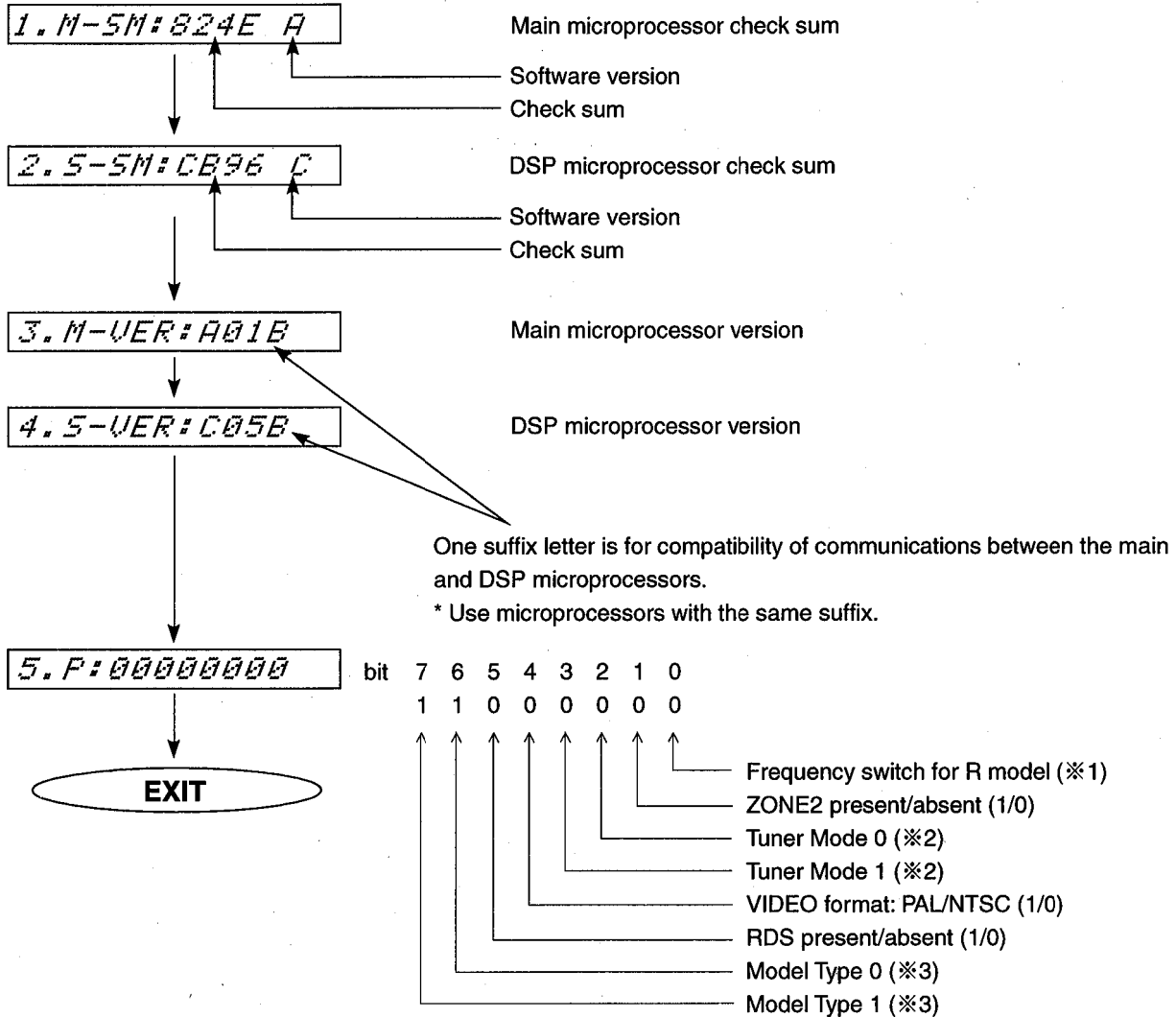
(11) CPU VERSION/CHECK SUM/PORT INFO/EXIT DIAG

The check sum, version and port setting of main CPU/DSP CPU are displayed.
The signal is EFFECT OFF.

Operating the submenu will finish self-diagnosis, and ordinary operation mode will be restored.

The suffix letter ("A" in the following) of version indication is for compatibility of communications between the main and DSP microprocessors.

Combining microprocessors with different suffixes will make normal operation impossible.



※1

Port 51	AM	FM
Low(0)	530-1710kHz/10kHz	87.5-108MHz/100kHz
Hi(1)	531-1611kHz/9kHz	87.5-108.0MHz/50kHz

※2

Tuner Mode 1	0	*0	0	*1	1	*2	1	*3
Tuner Mode 0	0		1		0		1	

*0 AM: 531-1611kHz/9kHz FM: 76.0-90.0MHz/100kHz (J model)

*1 AM: 530-1710kHz/10kHz FM: 87.5-107.9MHz/200kHz (U, C models)

*2 AM: 531-1611kHz/9kHz FM: 87.5-108.0MHz/50kHz (A, L models)

*3 R model: Tuner Frequency is selected by Port 51 and Model Type.

※3

Model Type 1	1	V795
Model Type 0	1	

■ FACTORY PRESET

All the setting of the system are initialized on shipping. The settings are as follows.

- INPUT (VIDEO) DVD/LD (DVD/LD)

- EFFECT LEVEL

EFFECT CHANNEL	PRESET VALUE
CENTER	0dB
RIGHT SURROUND	0dB
LEFT SURROUND	0dB
SUB WOOFER	0dB

- DSP PROGRAM

INPUT	DSP PROGRAM
PHONO	CONCERT HALL
CD	ROCK CONCERT
TUNER	DISCO
TAPE MONITOR	JAZZ CLUB
DVD/LD	MOVIE THEATER 1 70mm/DGTL/DTS Sci-Fi
TV/DBS	TV/SPORTS
VCR	ENHANCED
VIDEO AUX	PRO LOGIC

- SET MENU

No.	SET MENU	PRESET VALUE
1.	CENTER SPERKER	LRG
2.	REAR SPERKER	LARGE
3.	MAIN SPERKER	LARGE
4.	LFE/BASS OUT	SW
5.	MAIN LEVEL	Normal
6.	DOLBY DGTL SET LFE LEVEL	0 dB
7.	DOLBY DGTL SET DYNAMIC RANGE	MAX
8.	DTS SET LFE LEVEL	0 dB
9.	CENTER DELAY	0 ms
10.	PARAMETER INI	---
11.	MEMORY GUARD	OFF
12.	TV/DBS INPUT	AUTO
13.	DIMMER	0

- PRESET STATIONS

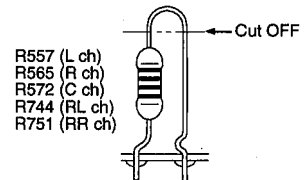
STATION		FM FACTORY PRESET DATA (MHz)			STATION		AM FACTORY PRESET DATA (kHz)	
PAGE	NO.	U, C	R, L, G, A, B	J	PAGE	NO.	U, C, R	R, L, G, A, B, J
A/C/E	1	87.5	87.50	76.0	B/D	1	630	630
	2	90.1	90.10	83.0		2	1080	1080
	3	95.1	95.10	84.0		3	1440	1440
	4	98.1	98.10	86.0		4	530	531
	5	107.9	108.00	90.0		5	1710	1611
	6	88.1	88.10	78.0		6	900	900
	7	106.1	106.10	88.0		7	1350	1350
	8	107.9	108.00	82.1		8	1400	1404

AMP ADJUSTMENTS

Confirmation of Idling Current

- 1) No signal applied.
- 2) Non-loaded condition.
- 3) Aging is not necessary.

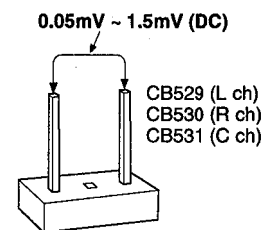
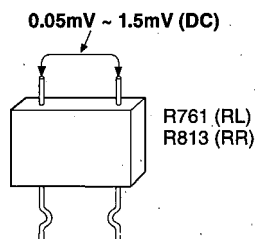
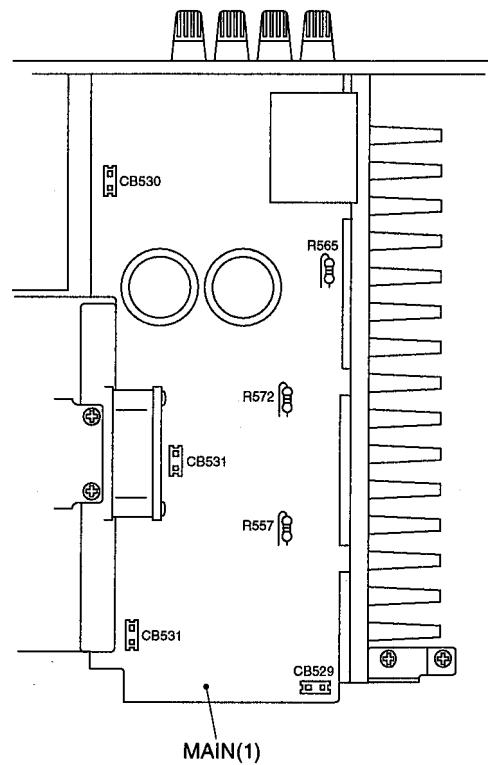
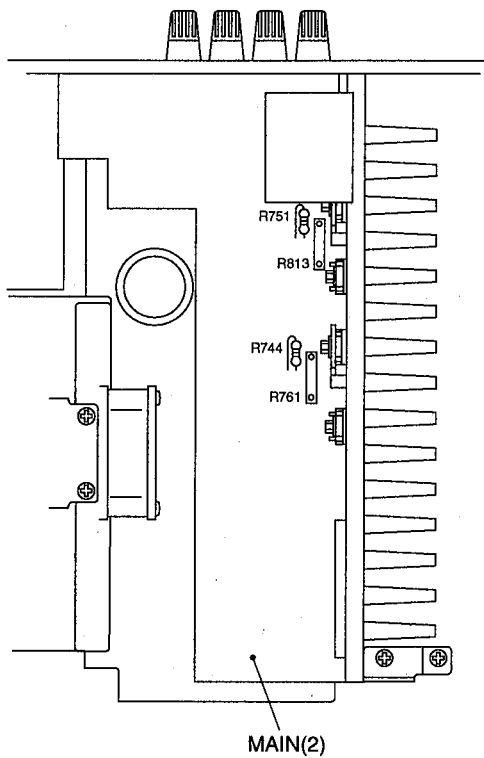
Item	Test Point	Rating (DC)	Note
MAIN L	CB529	0.05mV~1.5mV	If the measured voltage exceeds 1.6mV, cut the lead wire of R557(L ch), R565(R ch), R572(C ch), R744(RL ch) or R751(RR ch) and then check again if each measured value satisfies the rating.
MAIN R	CB530		
CENTER	CB531		
REAR L	R761		
REAR R	R813		



* Confirm that the voltage at the test points is 7.5mV ~ 12mV after 60 minutes.

Note

- If R557(L ch), R565(R ch), R572(C ch), R744(RL ch) or R751(RR ch) have already been cut off and idling current does not flow, reconnect R557(820Ω), R565(820Ω), R572(820Ω), R744(820Ω) or R751(820Ω).
- Q514, Q516, Q518, Q707 and Q710 are transistors for temperature correction. Apply silicone grease to the contact surface with the heat sink.

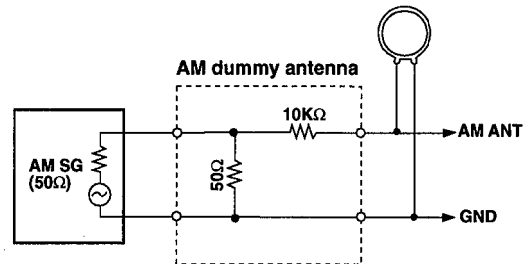
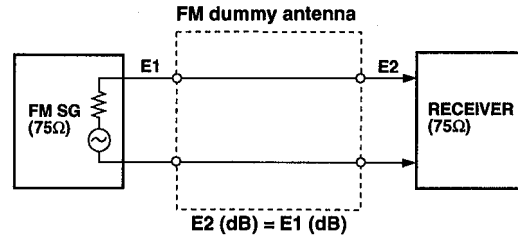
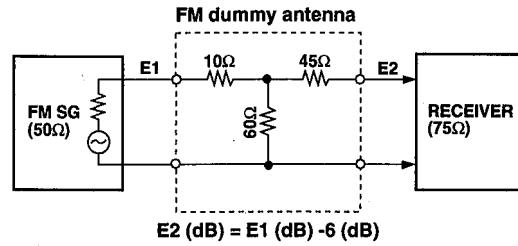


TUNER ADJUSTMENTS

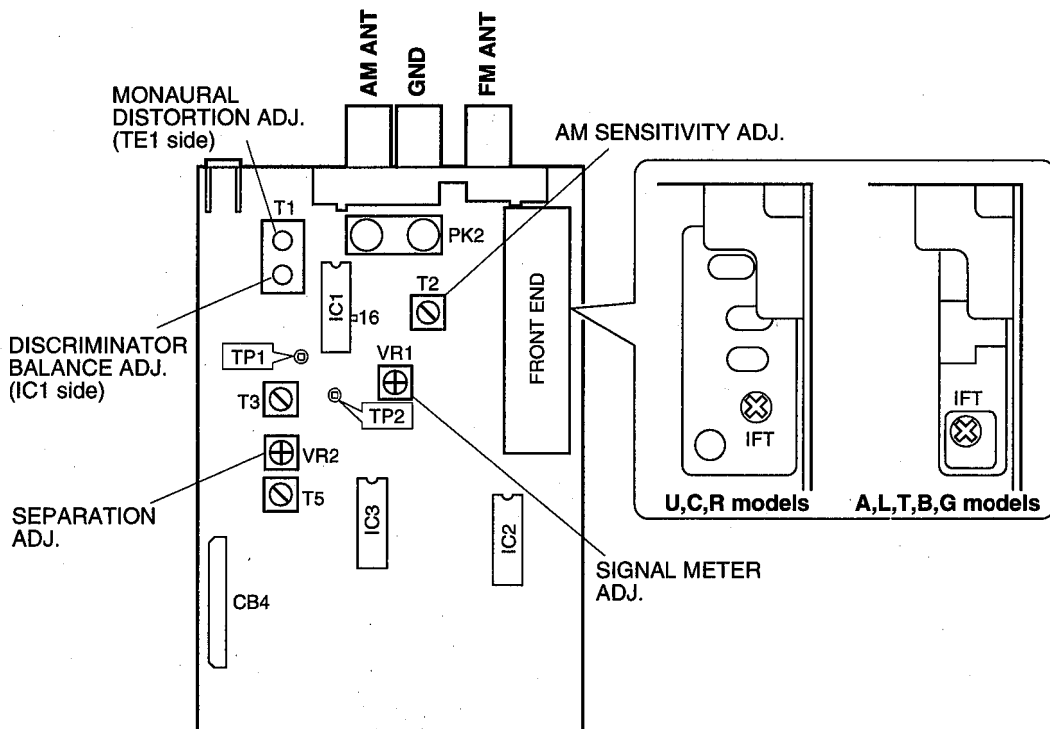
Measuring Instruments

- FM signal generator (FM SG)
- Stereo signal generator (SSG)
- AM signal generator (AM SG)
- Distortion meter (DIST. M)
- AC voltmeter (ACVM)
- DC voltmeter (DCVM)
- Oscilloscope
- Low pass filter (YLF-15, $f_c=15\text{kHz}$)
- Oscillator

Dummy antenna



Test point



FM Adjustment

● **Before Adjustment**

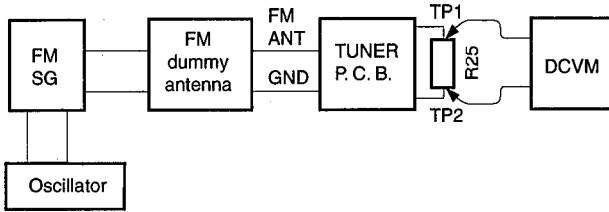
- 1) For dB, $1\mu V=0dB\mu$
Example : $60dB\mu=1mV$
- 2) 100% modulation means that the frequency deviation is $\pm 75kHz$.

- 3) Install the Matching Transformer and connect FM SG.
- 4) Set each switch to the following position unless otherwise specified.

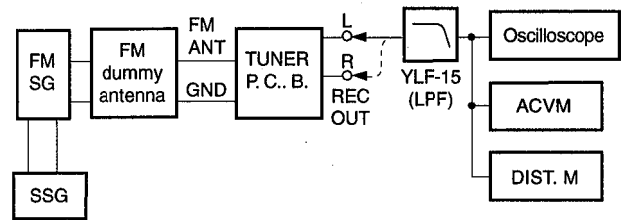
INPUT SELECTOR TUNER
 TUNING MODE AUTO

● **Connection diagram (Measuring instruments)**

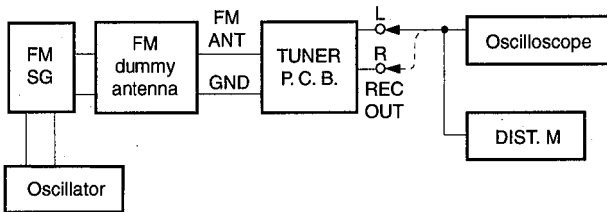
1) **Discriminator balance adjustment**



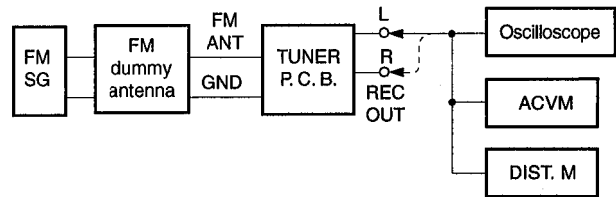
3) **Stereo distortion adjustment/separation adjustment**



2) **Monaural distortion adjustment**



4) **Sensitivity Verification**



Step	Adjustment item	Signal (ANT IN)	Reception frequency	Adjustment point	Test point	Rating
1	Rough adjustment of discriminator balance	FM ANT (75Ω) 98.1MHz ** 70dBμ MONO 100Hz 100% modulation	98.1MHz * (A-4)	T1 (IC1 side core)	Both ends of R25 (Between TP1 and TP2)	DC 0V±100mV
2	Rough adjustment of monaural distortion	Same as Step 1.	98.1MHz * (A-4)	T1 (TE1 side core)	REC OUT L, R	Minimize the distortion.
3	Fine adjustment of discriminator balance	Same as Step 1.	98.1MHz * (A-4)	T1 (IC1 side core)	Both ends of R25 (Between TP1 and TP2)	DC 0V±50mV
4	Fine adjustment of monaural distortion	Same as Step 1.	98.1MHz * (A-4)	T1 (TE1 side core)	REC OUT L, R	Minimize the distortion (to 43dB or less).
5	Verification of discriminator balance	Same as Step 1.	98.1MHz * (A-4)	T1 (IC1 side core)	Both ends of R25 (Between TP1 and TP2)	DC 0V±50mV

* : Execution of FACTORY PRESET (Refer to page 20.) will facilitate setting reception frequency for adjustment.

** Must be 98.1MHz ± 5kHz

See page 22 for TP locations & adjustment points.

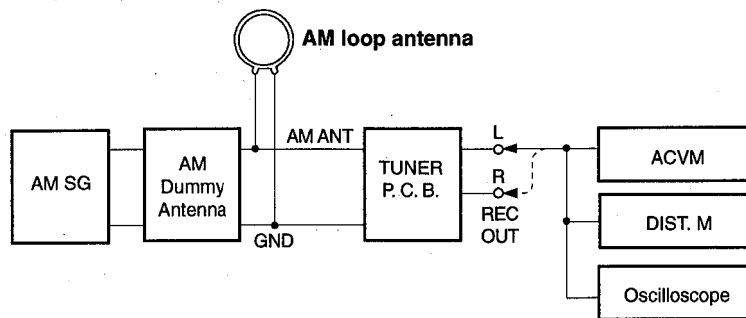
Step	Adjustment item	Signal (ANT IN)	Reception frequency	Adjusted point	Test point	Rating
6	Adjustment of front end IFT	FM ANT (75Ω) 98.1MHz 70dBμ MONO 1kHz, 100% modulation	98.1MHz * (A-4)	Front end IFT	Pin 16 of IC1	Adjust so that the DC voltage is maximum. CAUTION : Over-adjustment of the IFT core will reduce the sensitivity. Maximum ±90°
7	Verification of monaural distortion	FM ANT (75Ω) 98.1MHz 70dBμ MONO 1kHz, 100% modulation	98.1MHz * (A-4)		REC OUT L, R	43dB or less
8	Verification of stereo distortion	FM ANT (75Ω) 98.1MHz 70dBμ Stereo L or R 1kHz, 100% modulation	98.1MHz * (A-4) *Tuning mode should be AUTO.		REC OUT L, R	37dB or less • STEREO indicator should light.
9	Verification of sensitivity	FM ANT (75Ω) 88.1MHz 98.1MHz 106.1MHz MONO 1kHz Modulation off	88.1MHz * (A-6) 98.1MHz * (A-4) 106.1MHz * (A-7)		ANT (75Ω)	1) Set the tuning mode to MAN'L MONO. (Muting OFF) 2) S/N should be 30dB at each frequency of 88.1MHz, 98.1MHz, and 106.1MHz. 3) Check to ensure that the voltage at the ANT terminal is 5dBμ or less. (A, L, B, G only : 7dBμ or less)
10	Adjustment of Separation	FM ANT (75Ω) 98.1MHz 70dBμ Stereo L or R 1kHz, 100% modulation	98.1MHz * (A-4)	VR2	REC OUT L, R	With SSG output at L or R, the signal leakage level at the other channel should be minimized. 35dB or more
11	Adjustment of Signal meter	FM ANT (75Ω) 98.1MHz 45dBμ MONO 1kHz 30% modulation	98.1MHz * (A-4)	VR1		Adjust so that all segments light.
		-10dBμ or less				Check to ensure that all segments are OFF.
12	Verification of auto tuning	FM ANT (75Ω) 98.1MHz 26dBμ Stereo L or R 1kHz, 30% modulation	98.1MHz * (A-4)			• Automatic reception should be available when the tuning key is moved UP and DOWN. • The stereo indicator should light. • Audio muting should be applied during tuning.

* : Execution of FACTORY PRESET (Refer to page 20.) will facilitate setting reception frequency for adjustment.

AM Adjustment (This should be done after FM adjustment.)

● Connection Diagram (Measuring instruments)

1) Adjustment of sensitivity



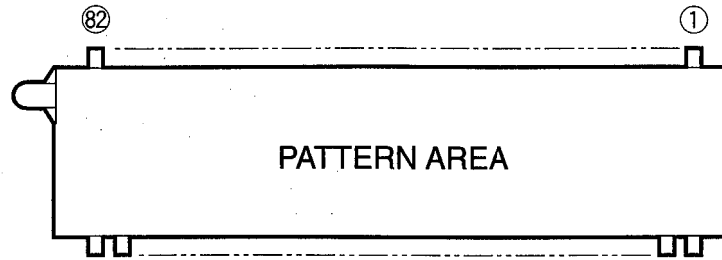
See page 22 for TP locations & adjustment points.

Step	Adjustment item	Signal (ANT IN)	Reception frequency	Adjustment point	Test point	Rating
1	Adjustment of sensitivity	AM ANT 630kHz 50dB μ 1kHz 30% modulation	630kHz *(B-1)	T2	REC OUT	Audio output should be maximized. Repeat steps 1 and 2.
2	Verification of sensitivity	AM ANT 630kHz 1080kHz 1440kHz 30% modulation	630kHz *(B-1) 1080kHz *(B-2) 1440kHz *(B-3)		REC OUT	Check to ensure that the voltage at the ANT terminal is 54dB μ or less.
3	Verification of signal meter	AM ANT 1080kHz 90dB μ MONO 1kHz 30% modulation	1080kHz *(B-2)			All S-meters should light.
		-10dB μ or less				All S-meters should turn off.
4	Verification of auto tuning	AM ANT 60dB μ				Auto reception should be available when the tuning key is moved UP and DOWN. Voice must be muted during search.

* : Execution of FACTORY PRESET (Refer to page 20.) will facilitate setting reception frequency for adjustment.

■ DISPLAY DATA (V2573800)

● V101 : 16-BT-60GK

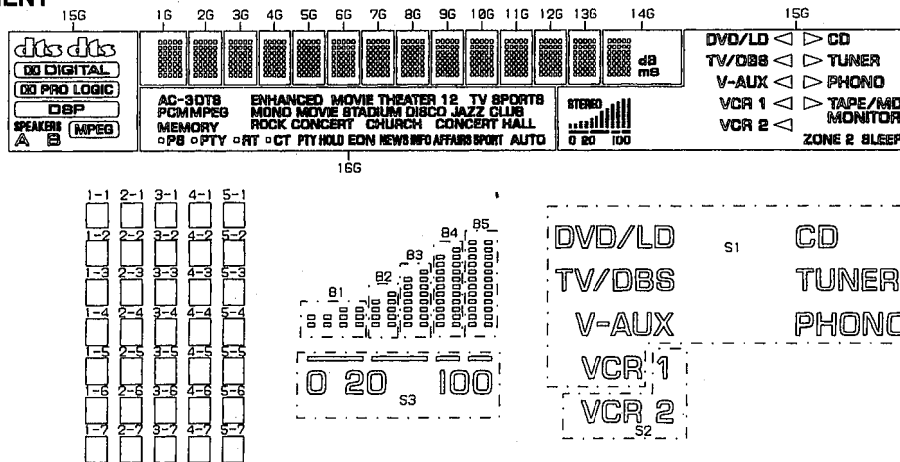


● PIN CONNECTION

Pin No.	82	81	80	79	78	77	76	75	74	73	72	71	70	69	68	67	66	65	64
Connection	F2	F2	NP	NP	NC	NC	P37	P36	P35	P34	P33	IC	NP	Fd	Fd	NP	IC	P32	P31
Pin No.	63	62	61	60	59	58	57	56	55	54	53	52	51	50	49	48	47	46	45
Connection	P30	P29	P28	P27	P26	P25	P24	P23	P22	P21	P20	P19	P18	P17	P16	P15	P14	P13	P12
Pin No.	44	43	42	41	40	39	38	37	36	35	34	33	32	31	30	29	28	27	26
Connection	P11	P10	P9	P8	P7	P6	P5	P4	P3	P2	P1	16G	15G	14G	13G	12G	11G	10G	9G
Pin No.	25	24	23	22	21	20	19	18	17	16	15	14	13	12	11	10	9	8	7
Connection	8G	7G	6G	5G	4G	3G	2G	1G	NC	NC	NC	NC	NC	NC	NC	NC	NC	NC	NC
Pin No.	6	5	4	3	2	1													
Connection	NC	NC	NP	NP	F1	F1													

Note 1) F1, F2 Filament 3) NC No Connection 5) 1G~16G Grid
 2) NP No Pin 4) P1~P37 Datum Line 6) IC Internal connection

● GRID ASSIGNMENT



(16~146)

(156)

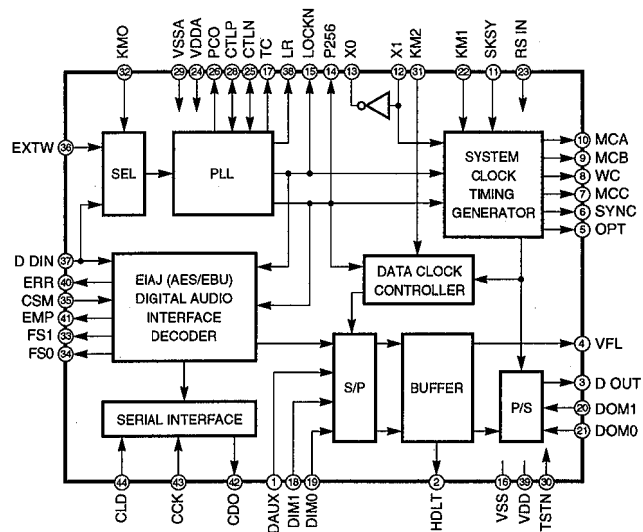
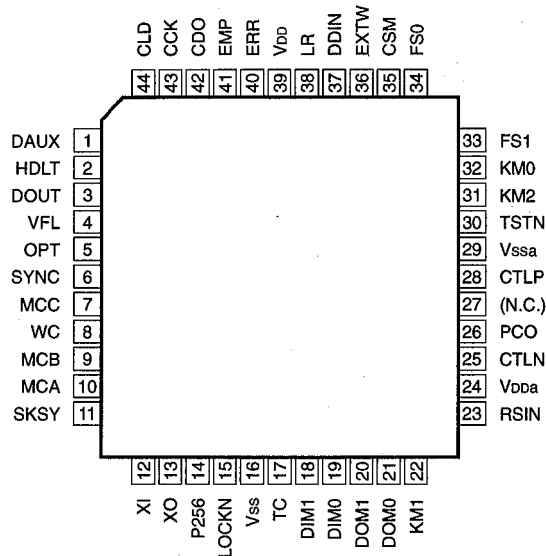
● ANODE CONNECTION

	16G	15G	14G	13G~16		16G	15G	14G	13G~16
P1	AC-3	dts (LEFT)	1-1	1-1	P20	MEMORY	S2	5-4	5-4
P2	DTS	dts (RIGHT)	2-1	2-1	P21	(PS)	TAPE/MD	1-5	1-5
P3	PCM	DIGITAL	3-1	3-1	P22	PS	MONITOR	2-5	2-5
P4	MPEG	PRO LOGIC	4-1	4-1	P23	(PTY)	ZONE 2	3-5	3-5
P5	ENHANCED	DBP	5-1	5-1	P24	PTY	SLEEP	4-5	4-5
P6	MOVIE THEATER	MPEG	1-2	1-2	P25	(RT)	-	5-5	5-5
P7	1	SPEAKERS	2-2	2-2	P26	RT	-	1-6	1-6
P8	2	A	3-2	3-2	P27	(CT)	-	2-6	2-6
P9	TV SPORTS	B	4-2	4-2	P28	CT	-	3-6	3-6
P10	MONO MOVIE	(TAPE/MD)	5-2	5-2	P29	PTY HOLD	STEREO	4-6	4-6
P11	STADIUM	(PHONO)	1-3	1-3	P30	EON	B1	5-6	5-6
P12	DISCO	(TUNER)	2-3	2-3	P31	NEWS	B2	1-7	1-7
P13	JAZZ CLUB	(CD)	3-3	3-3	P32	INFO	B3	2-7	2-7
P14	ROCK CONCERT	(DVD/LD)	4-3	4-3	P33	AFFAIRS	B4	3-7	3-7
P15	CHURCH	(TV/OBS)	5-3	5-3	P34	SPORT	B5	4-7	4-7
P16	CONCERT HALL	(V-AUX)	1-4	1-4	P35	AUTO	S3	5-7	5-7
P17	-	(VCR1)	2-4	2-4	P36	-	-	-	-
P18	-	(VCR2)	3-4	3-4	P37	-	-	-	-
P19	-	S1	4-4	4-4					

IC DATA

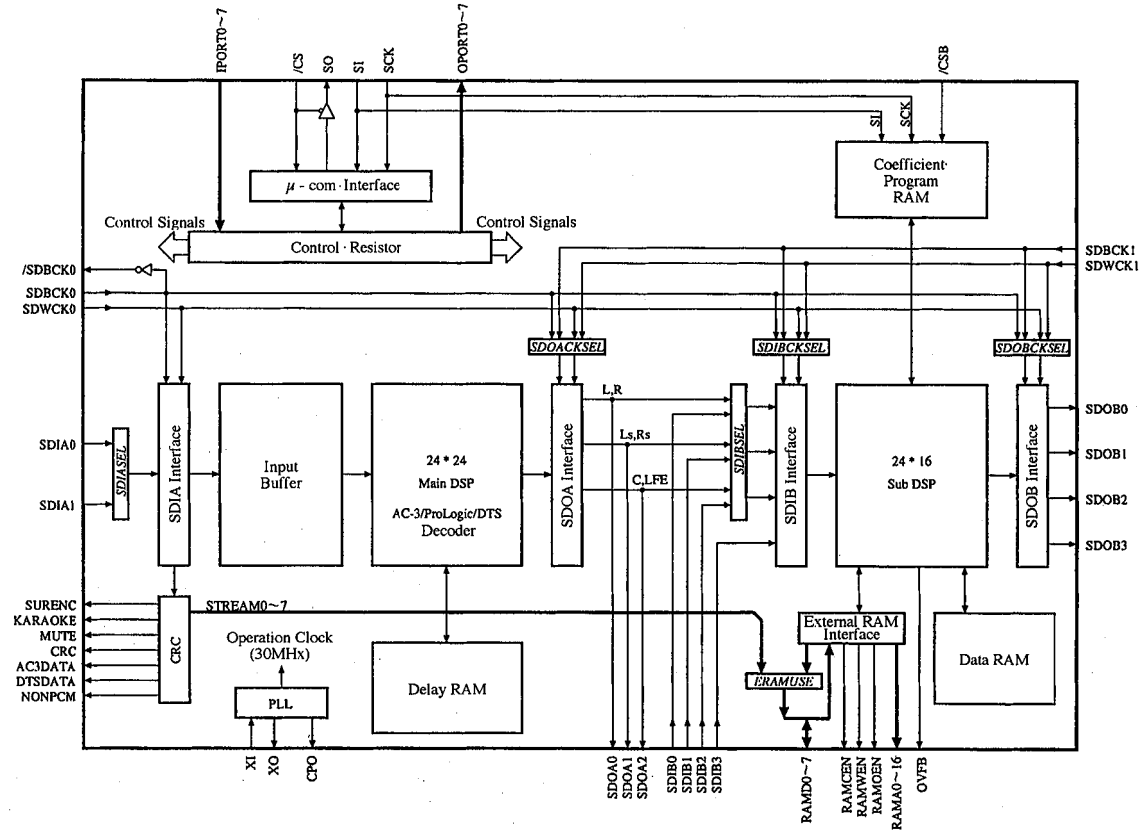
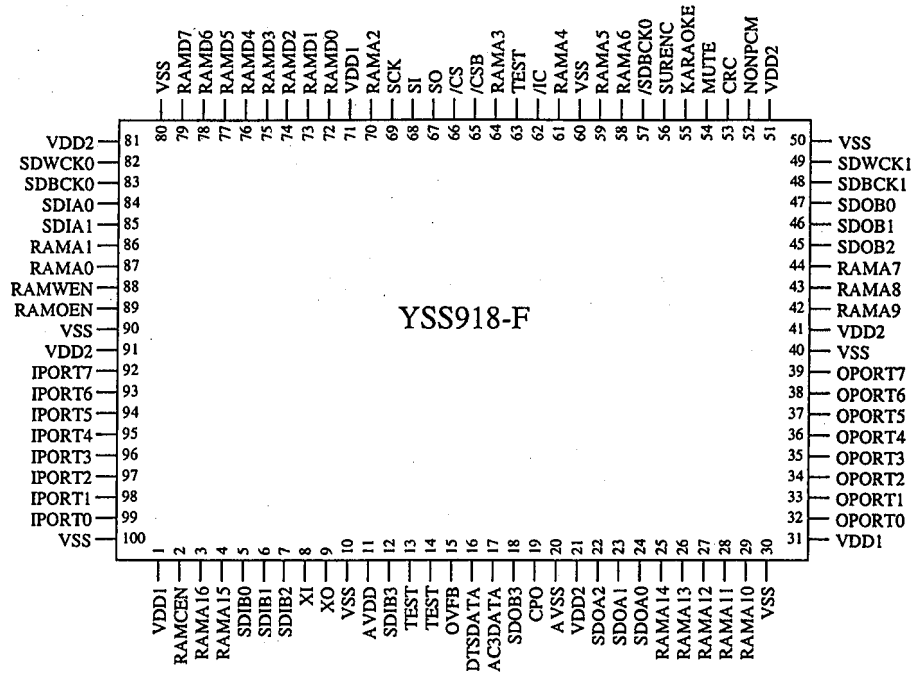
IC3 : YM3436DK

DIR (Digital Format Interface Receiver)



Pin No.	Pin Name	I/O	Function	Pin No.	Pin Name	I/O	Function
1	DAUX	I	Auxiliary input for audio data	26	PCO	O	PLL phase comparison output
2	HDLT	O	Asynchronous buffer operation flag	27	(NC)		
3	DOUT	O	Audio data output	28	CTLP	I	VCO control input P
4	VFL	O	Parity flag output	29	V _{ssa}		VCO section power (GND)
5	OPT	O	Fs x 1 Synchronous output signal for DAC	30	TSTN	I	Test terminal. Open for normal use
6	SYNC	O	Fs x 1 Synchronous output signal for DSP	31	KM2	I	Clock mode switching input 2
7	MCC	O	Fs x 64Bit clock output	32	KM0	I	Clock mode switching input 0
8	WC	O	Fs x 1Word clock output	33	FS1	O	Channel status sampling frequency display output 1
9	MCB	O	Fs x 128Bit clock output	34	FS0	O	Channel status sampling frequency display output 0
10	MCA	O	Fs x 256Bit clock output	35	CSM	I	Channel status output method selection
11	SKSY	I	Clock synchronization control input	36	EXTW	I	External synchronous auxiliary input word clock
12	XI	I	Crystal oscillator connection or external clock input	37	DDIN	I	EIAJ (AES/EBU) data input
13	XO	O	Crystal oscillator connection	38	LR	O	PLL word clock output
14	P256	O	VCO oscillator clock connection	39	V _{DD}		Logic section power (+5V)
15	LOCKN	O	PLL lock flag	40	ERR	O	Data error flag output
16	V _{ss}		Logic section power (GND)	41	EMP	O	Channel status emphasis control code output
17	TC	O	PLL time constant switching output	42	CDO	O	3-wire type microcomputer interface data output
18	DIM1	I	Data input mode selection	43	CCK	I	3-wire type microcomputer interface clock output
19	DIM0	I	Data input mode selection	44	CLD	I	3-wire type microcomputer interface load input
20	DOM1	I	Data output mode selection				
21	DOM0	I	Data output mode selection				
22	KM1	I	Clock mode switching input 1				
23	RSTN	I	System reset input				
24	V _{Dda}		VCO section power (+5V)				
25	CTLN	I	VCO control input N				

IC4 : YSS918-F
Digital Pro-Logic Decoder



IC4 : YSS918-F
Digital Pro-Logic Decoder

No.	Name	I/O	Function
1	VDD1		+5V terminal (for terminal section)
2	RAMCEN	O	Chip enable terminal for external SRAM
3	RAMA16	O	Address terminal 16 for external SRAM
4	RAMA15	O	Address terminal 15 for external SRAM
5	SDIB0	Itp	PCM input terminal 0 to Sub DSP
6	SDIB1	Itp	PCM input terminal 1 to Sub DSP
7	SDIB2	Itp	PCM input terminal 2 to Sub DSP
8	XI	Ic	Crystal oscillator connecting terminal (12.288MHz)
9	XO	O	Crystal oscillator connecting terminal
10	VSS		Ground terminal (for terminal section)
11	AVDD		+3.3V terminal (for PLL circuit)
12	SDIB3	Itp	PCM input terminal 3 to Sub DSP
13	TEST		Test terminal (normally unconnected)
14	TEST		Test terminal (normally unconnected)
15	OVFB	O	Sub DSP overflow detect terminal
16	DTSDATA	O	DTS data detect terminal
17	AC3DATA	O	AC-3 data detect terminal
18	SDOB3	O	PCM output terminal for Sub DSP
19	CPO	A	PLL output terminal, connected to external analog filter
20	AVSS		Ground terminal (for PLL circuit)
21	VDD2		+3.3V terminal (for inner circuit)
22	SDOA2	O	PCM output terminal (AC-3/DTS : C/LFE output, Pro Logic : C/S output)
23	SDOA1	O	PCM output terminal (AC-3/DTS : LS/RS output, Pro Logic : Lt/Rt output)
24	SDOA0	O	PCM output terminal (AC-3/DTS/Pro Logic : L/R output)
25	RAMA14	O	Address terminal 14 for external SRAM
26	RAMA13	O	Address terminal 13 for external SRAM
27	RAMA12	O	Address terminal 12 for external SRAM
28	RAMA11	O	Address terminal 11 for external SRAM
29	RAMA10	O	Address terminal 10 for external SRAM
30	VSS		Ground terminal (for inner circuit)
31	VDD1		+5V terminal (for terminal section)
32	OPORT0	O	General purpose output terminal
33	OPORT1	O	General purpose output terminal
34	OPORT2	O	General purpose output terminal
35	OPORT3	O	General purpose output terminal
36	OPORT4	O	General purpose output terminal
37	OPORT5	O	General purpose output terminal
38	OPORT6	O	General purpose output terminal
39	OPORT7	O	General purpose output terminal
40	VSS		Ground terminal (for inner circuit)
41	VDD2		+3.3V terminal (for inner circuit)
42	RAMA9	O	Address terminal 9 for external SRAM
43	RAMA8	O	Address terminal 8 for external SRAM
44	RAMA7	O	Address terminal 7 for external SRAM
45	SDOB2	O	PCM output terminal for Sub DSP
46	SDOB1	O	PCM output terminal for Sub DSP
47	SDOB0	O	PCM output terminal for Sub DSP
48	SDBCK1	Itp	Bit clock input terminal for SDOA/SDIB/SDOB signal
49	SDWCK1	Itp	Word clock input terminal for SDOA/SDIB/SDOB signal
50	VSS		Ground terminal (for terminal section)
51	VDD2		+3.3V terminal (for inner circuit)

IC4 : YSS918-F
Digital Pro-Logic Decoder

No.	Name	I/O	Function
52	NONPCM	O	non-PCM data detect terminal
53	CRC	O	AC-3 CRC error detect terminal
54	MUTE	O	Auto mute detect terminal
55	KARAOKE	O	AC-3 karaoke data detect terminal
56	SURENC	O	AC-3 2/0 mode dolby surround encode input detect terminal
57	/SDBCK0	O	SDBCK0 inverted clock output terminal
58	RAMA6	O	Address terminal 6 for external SRAM
59	RAMA5	O	Address terminal 5 for external SRAM
60	VSS		Ground terminal (for inner circuit)
61	RAMA4	O	Address terminal 4 for external SRAM
62	/IC	lcs	Initial clear terminal
63	TEST		Test terminal (normally unconnected)
64	RAMA3	O	Address terminal 3 for external SRAM
65	/CSB	lts	Chip select input terminal for Sub DSP
66	/CS	lts	Microprocessor interface chip select input terminal
67	SO	O*	Microprocessor interface data output terminal
68	SI	lts	Data input terminal for microprocessor interface and Sub DSP
69	SCK	lts	Clock input terminal for microprocessor interface and Sub DSP
70	RAMA2	O	Address terminal 2 for external SRAM
71	VDD1		+5V terminal (for terminal section)
72	RAMD0	ltp/O	Data terminal for external SRAM(external SRAM non-used : STERAM0 output)
73	RAMD1	ltp/O	Data terminal for external SRAM(external SRAM non-used : STERAM1 output)
74	RAMD2	ltp/O	Data terminal for external SRAM(external SRAM non-used : STERAM2 output)
75	RAMD3	ltp/O	Data terminal for external SRAM(external SRAM non-used : STERAM3 output)
76	RAMD4	ltp/O	Data terminal for external SRAM(external SRAM non-used : STERAM4 output)
77	RAMD5	ltp/O	Data terminal for external SRAM(external SRAM non-used : STERAM5 output)
78	RAMD6	ltp/O	Data terminal for external SRAM(external SRAM non-used : STERAM6 output)
79	RAMD7	ltp/O	Data terminal for external SRAM(external SRAM non-used : STERAM7 output)
80	VSS		Ground terminal (for terminal section)
81	VDD2		+3.3V terminal (for inner circuit)
82	SDWCK0	It	Word clock input terminal for SDIA/SDOA/SDIB/SDOB signal
83	SDBCK0	It	Bit clock input terminal for SDIA/SDOA/SDIB/SDOB signal
84	SDIA0	It	AC-3/DTS bit stream (or PCM) data input terminal to main DSP
85	SDIA1	It	AC-3/DTS bit stream (or PCM) data input terminal to main DSP
86	RAMA1	O	Address terminal 1 for external SRAM
87	RAMA0	O	Address terminal 0 for external SRAM
88	RAMWEN	O	Write enable terminal for external SRAM
89	RAMOEN	O	Output enable terminal for external SRAM
90	VSS		Ground terminal
91	VDD2		+3.3V terminal (for inner circuit)
92	IPOINT7	ltp	General purpose input terminal
93	IPOINT6	ltp	General purpose input terminal
94	IPOINT5	ltp	General purpose input terminal
95	IPOINT4	ltp	General purpose input terminal
96	IPOINT3	ltp	General purpose input terminal
97	IPOINT2	ltp	General purpose input terminal
98	IPOINT1	ltp	General purpose input terminal
99	IPOINT0	ltp	General purpose input terminal
100	VSS		Ground terminal

lc : CMOS level input terminal

lt : TTL level input terminal

ls : Schmidt trigger input terminal

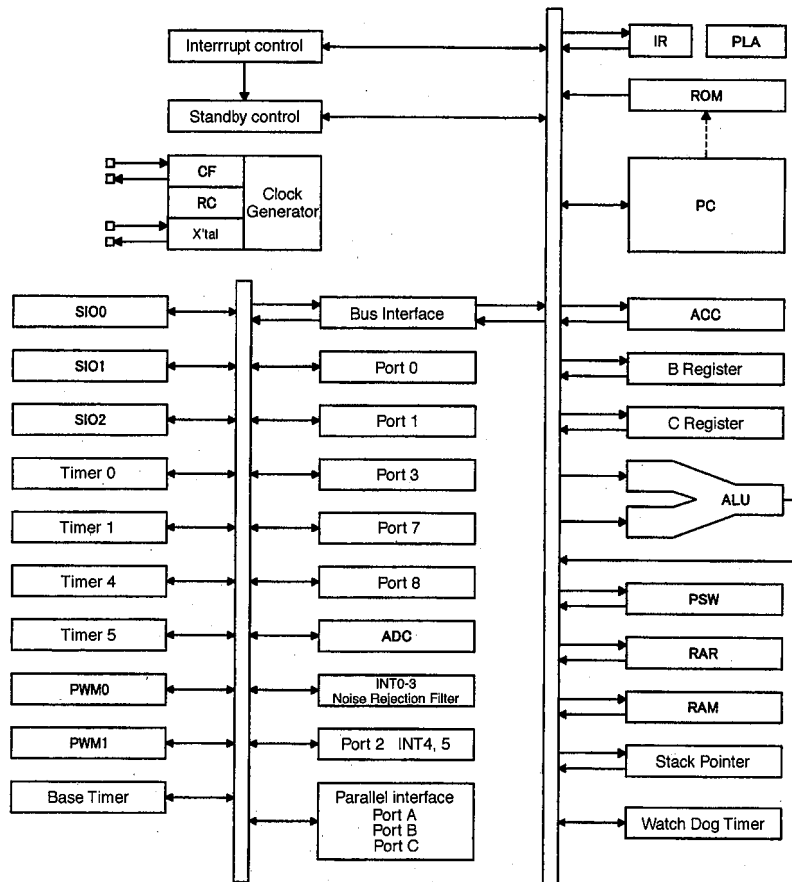
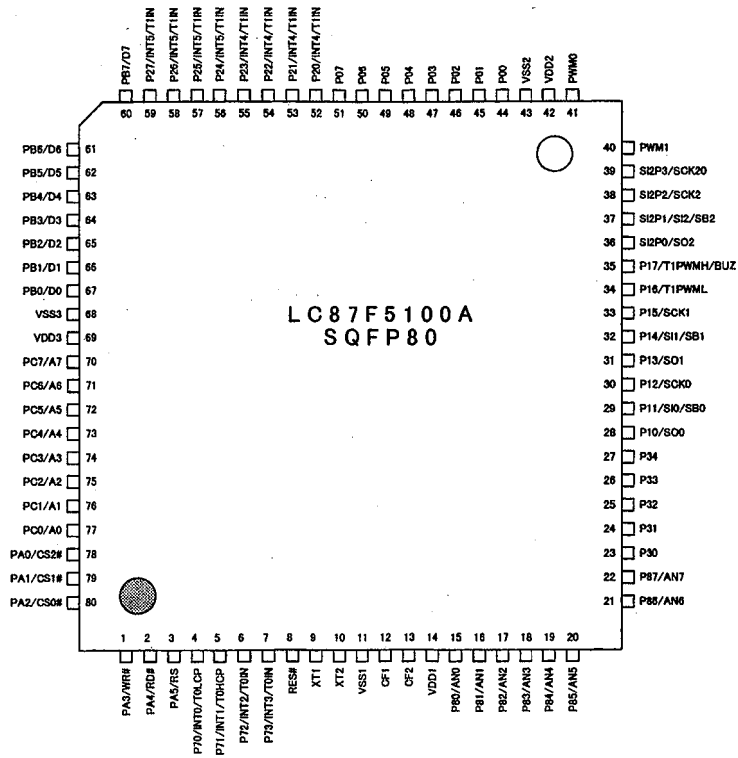
lp : Built-in pull up resistance

O : Digital output terminal

O* : 3-state digital output terminal

A : Analog terminal

IC14 : LC87F5164A
Sub μ -Com



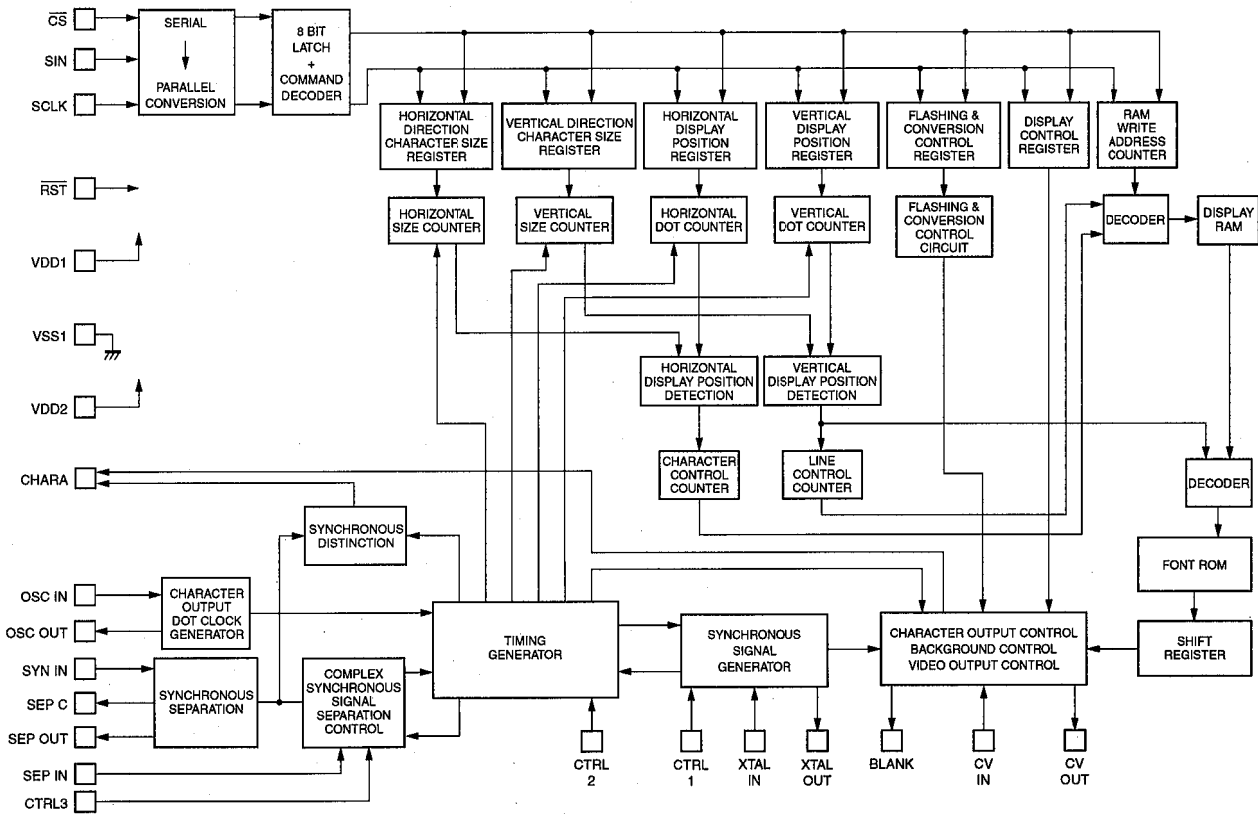
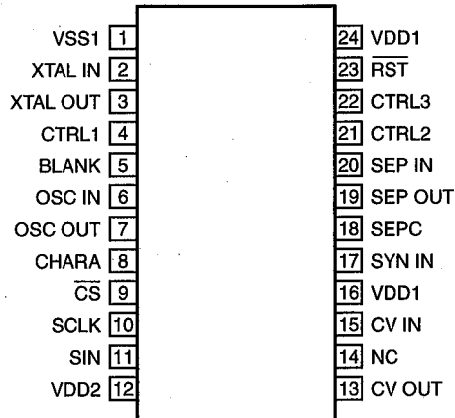
IC14 : LC87F5164A

Sub μ -Com

No.	Name	I/O	Function
1	PA3/ \overline{WR}	I/O	Parallel interface output \overline{WR}
2	PA4/ \overline{RD}	I/O	Parallel interface output \overline{RD}
3	PA5/ \overline{RS}	I/O	Parallel interface output \overline{RS}
4	P70/INT0/T0LCP	I/O	INT0 input/HOLD release input/ Timer0L capture input/Output for watchdog timer
5	P71/INT1/T0HCP	I/O	INT1 input/HOLD release input/ Timer0H capture input
6	P72/INT2/T0IN	I/O	INT2 input/HOLD release input/Timer0 event input/Timer0L capture input
7	P73/INT3/T0IN	I/O	INT3 input (noise rejection filter at- tached input)/Timer 0 event input/ Timer0H capture input
8	\overline{RES}	I	Reset terminal
9	XT1	I	Input for 32.768kHz crystal oscillator
10	XT2	I/O	Output for 32.768kHz crystal oscillator
11	VSS1		Negative power supply
12	CF1	I	Input terminal for ceramic oscillator
13	CF2	O	Output terminal for ceramic oscillator
14	VDD1		Positive power supply
15	P80/AN0	I/O	AD Input port
16	P81/AN1		
17	P82/AN2		
18	P83/AN3		
19	P84/AN4		
20	P85/AN5		
21	P86/AN6		
22	P87/AN7	I/O	5-bits Input/Output port
23	P30		
24	P31		
25	P32		
26	P33		
27	P34		
28	P10/S00	I/O	SI00 data output
29	P11/SI0/SB0	I/O	SI00 data input/bus input/output
30	P12/SCK0	I/O	SI00 clock input/output
31	P13/SO1	I/O	SI01 data output
32	P14/SI1/SB1	I/O	SI01 data input/bus input/output
33	P15/SCK1	I/O	SI01 clock input/output
34	P16/T1PWML	I/O	Timer 1PWML output
35	P17/T1PWMH/BUZ	I/O	Timer 1 PWMH output/Buzzer output
36	SI2P0/S02	I/O	SI02 data output
37	SI2P1/SI2/SB2	I/O	SI02 data output/bus input/output

No.	Name	I/O	Function
38	SI2P2/SCK2	I/O	SI02 clock input/output
39	SI2P3/SCK20	I/O	SI02 clock output
40	PWM1	O	PWM1 output port
41	PWM0	O	PWM0 output port
42	VDD2		Positive power supply
43	VSS2		Negative power supply
44	P00	I/O	8-bits Input/Output port
45	P01		
46	P02		
47	P03		
48	P04		
49	P05		
50	P06		
51	P07		
52	P20/INT4/T1IN	I/O	INT4 input/HOLD release input/ Timer 1 event input/Timer 0L capture input /Timer 0H capture input
53	P21/INT4/T1IN		
54	P22/INT4/T1IN		
55	P23/INT4/T1IN		
56	P24/INT5/T1IN	I/O	INT5 input/HOLD release input/ Timer 1 event input/Timer 0L capture input /Timer 0H capture input
57	P25/INT5/T1IN		
58	P26/INT5/T1IN		
59	P27/INT5/T1IN		
60	PB7/D7	I/O	Parallel interface data input/out- put; address output
61	PB6/D6		
62	PB5/D5		
63	PB4/D4		
64	PB3/D3		
65	PB2/D2		
66	PB1/D1		
67	PB0/D0		
68	VSS3		Negative power supply
69	VDD3		Positive power supply
70	PC7/A7	I/O	Parallel interface address output
71	PC6/A6		
72	PC5/A5		
73	PC4/A4		
74	PC3/A3		
75	PC2/A2		
76	PC1/A1		
77	PC0/A0		
78	PA0/ $\overline{CS2}$	I/O	Parallel interface output $\overline{CS2}$
79	PA1/ $\overline{CS1}$	I/O	Parallel interface output $\overline{CS1}$
80	PA2/ $\overline{CS0}$	I/O	Parallel interface output $\overline{CS0}$

IC406 : LC74781-9626
Superimpose

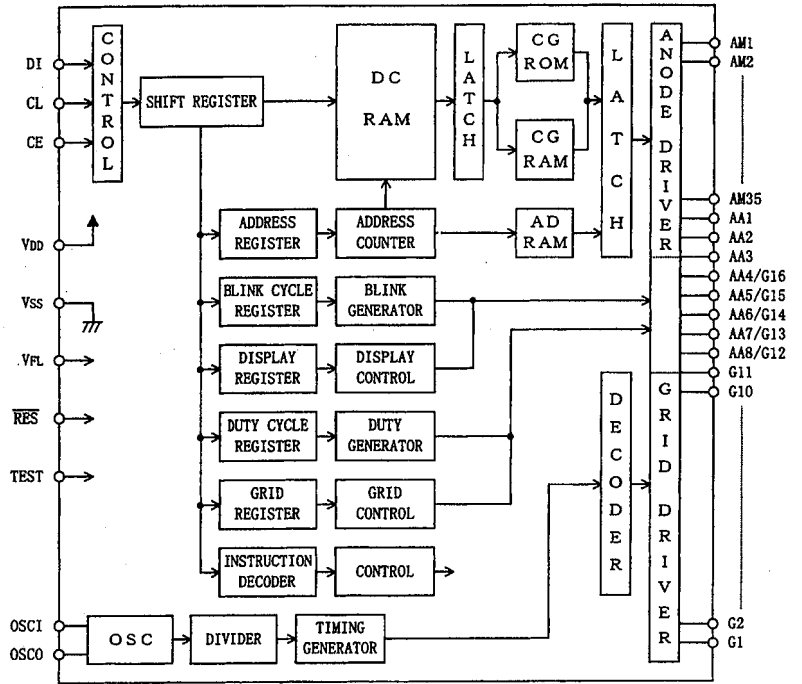
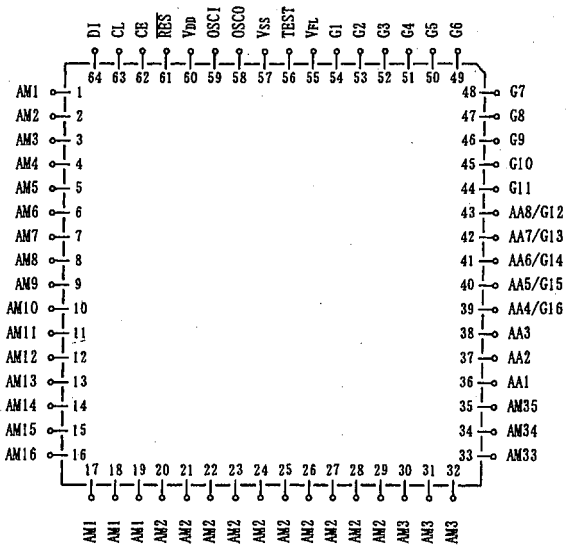


IC406 : LC74781-9626

Superimpose

Pin No.	Symbol	Terminal name	Function
1	VSS1	Ground terminal	Connection to GND (Digital system ground terminal)
2	XTAL IN	Crystal oscillation terminal	Terminal to connect the crystal of the crystal oscillator for internal synchronous signal generation and a capacitor or to input an external clock. (2fsc or 4fsc)
3	XTAL OUT		
4	CTRL1	Crystal oscillation input switching terminal	Switching terminal between the mode to input a clock externally and the mode for crystal oscillation. [L] = Crystal oscillation, [H] = External clock input
5	BLANK	Blank output terminal	Terminal to output the blank signal (character and bordering OR signal) (MOD0 : complex synchronous signal output at [H]). When resetting (RST terminal = [L]), a crystal oscillation clock is output (but not when resetting by the command).
6	OSC IN	LC oscillation terminal	Terminal to connect the coil of the oscillator for character output dot clock generation and a capacitor.
7	OSC OUT		
8	CHARA	Character output terminal	Terminal to output a character signal (MOD0 : It becomes an output terminal to judge the external synchronous signal at [H] and outputs the result after judging existence of the external synchronous signal. When a synchronous signal exists, [H] is output.) When resetting (RST terminal = [L]), a dot clock (LC oscillation) is output (but it is not output when reset by the command.)
9	/CS	Enable input terminal	Serial data input enable input terminal. The serial data input becomes enable at [L]. A pull-up resistor is built in (hysteresis input).
10	SCLK	Clock input terminal	Input terminal of clock for serial data input. A pull-up resistor is built in (hysteresis input).
11	SIN	Data input terminal	Serial data input terminal. A pull-up resistor is built in (hysteresis input).
12	VDD2	Power supply terminal	Power supply terminal for complex image signal level adjustment (Power supply for analog system)
13	CV OUT	Video signal output terminal	Output terminal for complex image signal.
14	NC		Connected to GND or unconnected.
15	CV IN	Video signal input terminal	Input terminal for complex image signal.
16	VDD1	Power supply terminal	Power supply terminal (+5V : power supply for digital system)
17	SYN IN	Synchronous separation circuit input terminal	Video signal input terminal of the built-in synchronous separation circuit (When the built-in synchronous separation circuit is not used, it becomes a horizontal synchronous signal input or a complex synchronous signal input.)
18	SEP C	Synchronous separation circuit bias voltage terminal	Terminal to monitor built-in synchronous separation circuit bias voltage.
19	SEP OUT	Complex synchronous signal output terminal	Terminal to output a complex synchronous signal of built-in synchronous separation circuit ([H] when internally synchronized at MOD1 : [H], [L] output when externally synchronized) (When the built-in synchronous separation circuit is not used, SYNIN input signal is output.)
20	SEP IN	Vertical synchronous signal input terminal	Terminal to input a vertical synchronous signal by integrating the output signal of SEPOUT terminal. Connect the integration circuit between SEPOUT terminals. Fix it to VDD1 when not used.
21	CTRL2	NTSC/PAL-M switching input terminal	Pin setting has a priority over switching of NTSC/PAL/PAL-M/PAL-N method. The NTSC method is selected after [L]= reset. NTSC/PAL/PAL-M/PAL-N method setting by a command is effective. [H] = PAL-M method.
22	CTRL3	SEPIN input control terminal	Terminal to control whether or not to input VSYNC signal into SEPIN input terminal. [L] = VSYNC inputted, [H] = VSYNC not inputted.
23	/RST	Reset input terminal	System reset input terminal. A pull-up resistor is built in (hysteresis input).
24	VDD1	Power supply terminal (+5V)	Power supply terminal (+5V : power supply for digital system)

IC102 : LC75712E
Display Driver



No.	Name	Function
1	AM1	Anode outputs Pull-down resistors are built in.
2	AM2	
3	AM3	
4	AM4	
5	AM5	
6	AM6	
7	AM7	
8	AM8	
9	AM9	
10	AM10	
11	AM11	
12	AM12	
13	AM13	
14	AM14	
15	AM15	
16	AM16	
17	AM17	Anode outputs Pull-down resistors are built in.
18	AM18	
19	AM19	
20	AM20	
21	AM21	
22	AM22	
23	AM23	
24	AM24	
25	AM25	
26	AM26	
27	AM27	
28	AM28	
29	AM29	
30	AM30	
31	AM31	
32	AM32	

No.	Name	Function
33	AM33	Anode outputs Pull-down resistors are built in.
34	AM34	
35	AM35	
36	AA1	Anode/grid outputs Pull-down resistors are built in.
37	AA2	
38	AA3	
39	AA4/G16	Anode/grid outputs Pull-down resistors are built in.
40	AA5/G15	
41	AA6/G14	
42	AA7/G13	
43	AA8/G12	
44	G11	
45	G10	
46	G9	
47	G8	Grid output pin Pull-down resistors are built in.
48	G7	
49	G6	
50	G5	
51	G4	
52	G3	
53	G2	
54	G1	
55	VFL	Driver block Power supply
56	TEST	LSI test pin
57	VSS	Logic block Power supply : GND
58	OSC	External oscillator RC circuit connection
59	OSCI	
60	VDD	Logic block Power supply : +5V
61	RES	System reset input pin
62	CE	Chip enable
63	CL	Sync clock
64	DI	Transfer data

IC21 : HD64F3337YF16

Main Micro Processor

No.	Name	Function	I/O	Detail of Function
1	/RES	/RES		CPU Reset
2	XTAL	XTAL		8MHz
3	EXTAL	EXTAL		8MHz
4	MD1	MD1		Mode Set 1 Normal:+5M Flush Write:+12V
5	MD0	MD0		Mode Set 0 Normal:+5M Flush Write:+5M
6	/NMI	Vcc		Vcc
7	/STBY or Fvpp	/STBY or Fvpp		Stand-by or Fvpp Normal:+5M Flush Write:+12V
8	Vcc	Vcc		Vcc
9	P52/SCK0	SCKN	O	SCK for Non Audio
10	P51/RXD0	RDTR/FSW	I	RXD for Non Audio (RDS) / Frequency Switch
11	P50/TXD0	SDTN	O	SDT for Non Audio
12	Vss	GND		GND
13	P97	CER	O	CE for Non Audio (RDS)
14	P98/φ	/ST	I	Tuner Stereo
15	P95	CES	O	CE for Non Audio (OSD)
16	P94	CEF1	O	CE for Non Audio (FL1)
17	P93	CEF0	O	CE for Non Audio (FL0)
18	P92//IRQ0	PDT	I	Power Detect (Low Level Detect)
19	P91//IRQ1	REM	I	Remote (Low Edge Detect)
20	P90//IRQ2	VSY	I	Video Vertical Sync (Low Edge Detect)
21	P60	SCKP	O	SCK for Tuner PLL
22	P61	SDTP	O	SDT for Tuner PLL
23	P62	RDTP	I	RDT for Tuner PLL
24	P63	CEP	O	CE for Tuner PLL
25	P64	/TMT	O	Tuner Mute
26	P65	/FLR	O	FL Reset
27	P66//IRQ6	—		—
28	P67//IRQ7	PSW	I	Power Switch
29	Avcc	Avcc		Avcc
30	P77/AN7	MTR	I	Tuner Meter
31	P70/AN0	KEY0	I	Key State 0
32	P71/AN1	KEY1	I	Key State 1
33	P72/AN2	KEY2	I	Key State 2
34	P73/AN3	REC	I	Recout Selector
35	P74/AN4	PRV	I	V Protection
36	P75/AN5	PRD	I	DC Protection
37	P76/AN6	THM	I	Thermal Detect
38	Avss	GND		GND
39	P40	VIND	O	Volume Indicator
40	P41	VUP	O	Volume Up
41	P42	VDN	O	Volume Down
42	P43	IPA	I	Input Selector A
43	P44	IPB	I	Input Selector B
44	P45	PRI	I	I Protection
45	P46/PW0	FAN	O	Fan Control
46	P47/PW1	/FMT	O	Full Mute
47	Vcc	Vcc		Vcc
48	P27	/MLY	O	Main Level Att.
49	P28	SPA	O	Speaker Relay A
50	P25	SPB	O	Speaker Relay B
51	P24	SPE	O	Speaker Relay Ext
52	P23	CEL	O	CE Sanyo for Audio
53	P22	CET	O	CE Toshiba for Audio

IC21 : HD64F3337YF16

Main Micro Processor

No.	Name	Function	I/O	Detail of Function
54	P21	SDTA	O	SDT for Audio
55	P20	SCKA	O	SCK for Audio
56	Vss	GND		GND
57	P17	/R2MT	O	Room 2 Mute
58	P16	I/E	O	Video Internal/External
59	P15	VRC	O	Video Recout Select C
60	P14	VRB	O	Video Recout Select B
61	P13	VRA	O	Video Recout Select A
62	P12	VIC	O	Video Input Select C
63	P11	VIB	O	Video Input Select B
64	P10	VIA	O	Video Input Select A
65	P30	PRY	O	Power Relay
66	P31	Z2DET	I	Zone 2 Detect
67	P32	TUN0	I	Tuner Mode 0
68	P33	TUN1	I	Tuner Mode 1
69	P34	VID	I	Video Format
70	P35	RDS	I	RDS Exist or Not
71	P36	TYP0	I	Model Type 0
72	P37	TYP1	I	Model Type 1
73	Vss	GND		GND
74	—	—		—
75	P81	/SBR	O	Sub CPU Reset
76	P82	TRO	I	CPU I/F Transfer Request
77	P83	WCIF	I	CPU I/F Word Clock
78	P84/TXD1	MTS/TXD1	O	Normal:CPU I/F Main to Sub Flush Write:TXD1
79	P85/RXD1	STM/RXD1	I	Normal:CPU I/F Sub to Main Flush Write:RXD1
80	P86/SCK1	CKIF	O	CPU I/F Clock

(Note 1) Pin 10 Frequency Switch (R only)

0	AM : 530-1710kHz (10kHz step)	FM : 87.5-108.0MHz (100kHz step)
1	AM : 531-1611kHz (9kHz step)	FM : 87.5-108.0MHz (50kHz step)

(Note 2) Pin 67, 68 Tuner Mode 0 and 1

Tuner Mode 1	Tuner Mode 0	Tuner Frequency	
0	0	AM : 531-1611kHz (9kHz step) FM : 76.0-90.0MHz (100kHz step)	J
0	1	AM : 530-1710kHz (10kHz step) FM : 87.5-107.9MHz (200kHz step)	U, C
1	0	AM : 531-1611kHz (9kHz step) FM : 87.5-108.0MHz (50kHz step)	A, L
1	1	Tuner Frequency is selected by Frequency Switch (Pin 10)	

(Note 3) Pin 69 Video Format

0	NTSC
1	PAL

(Note 4) Pin 70 RDS Exist or Not

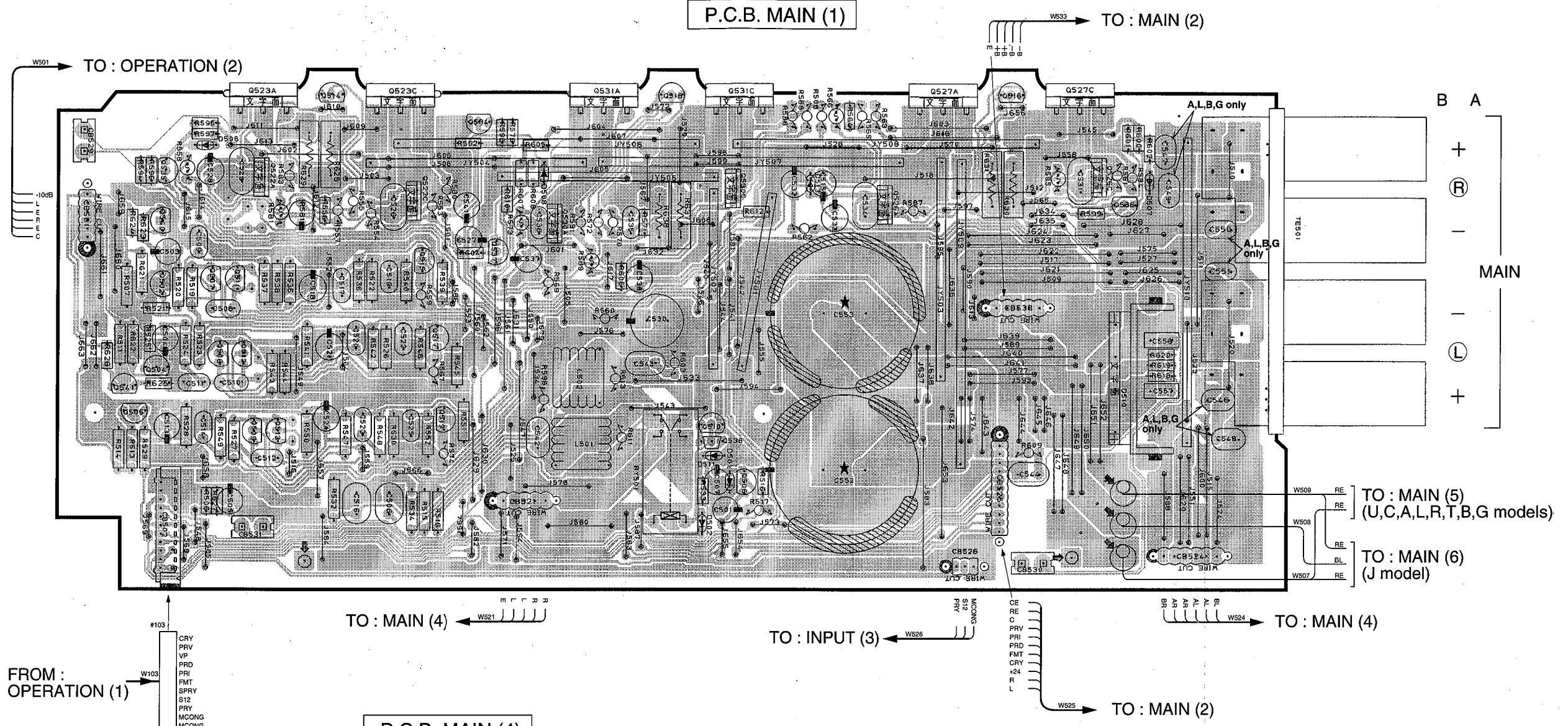
0	Not Exist
1	Exist

(Note 5) Pin 71, 72 Model Type 0 and 1

Model Type 1	Model Type 0	Model Name
0	0	RX-V2095
0	1	DSP-A2
1	0	RX-V995
1	1	RX-V795

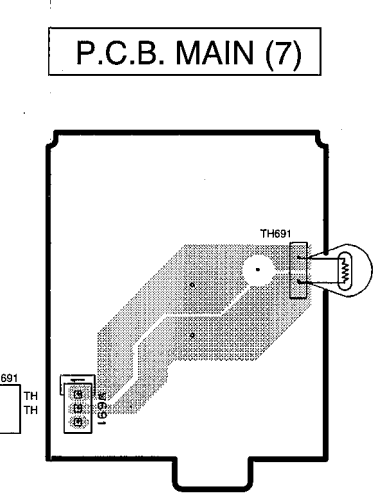
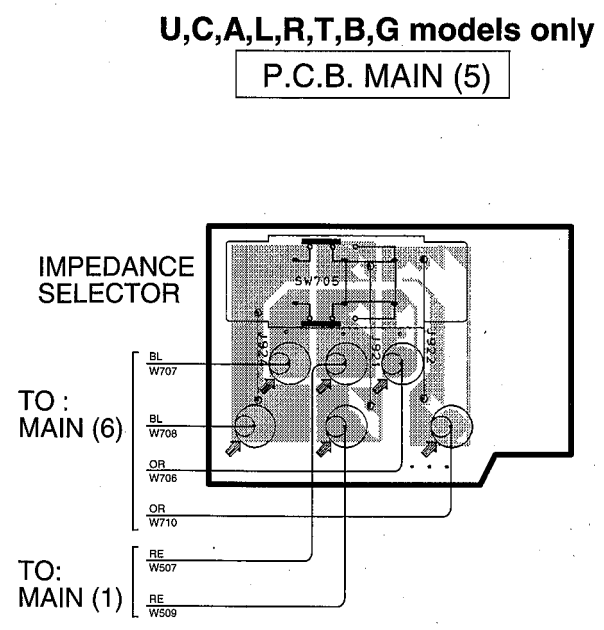
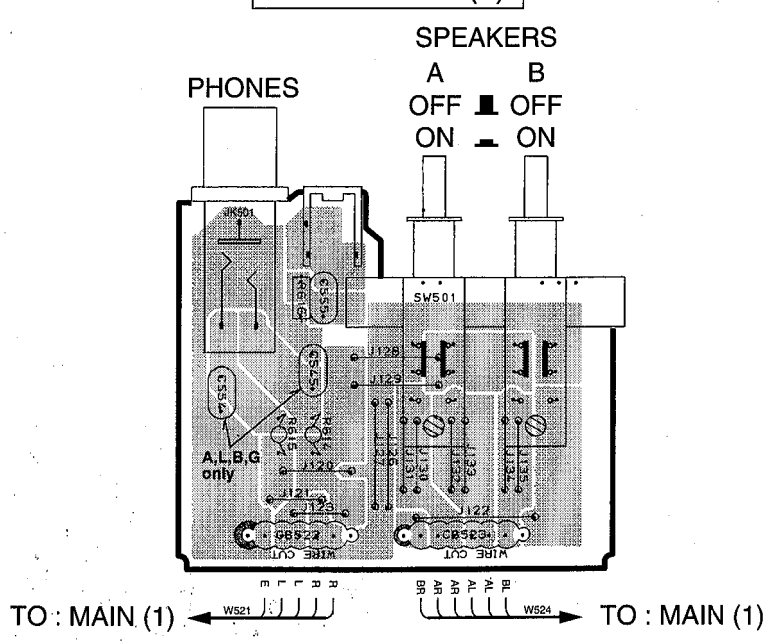
PRINTED CIRCUIT BOARD (Foil side) / シート図 (パターン側)

1
2
3
4
5
6



● Semiconductor Location

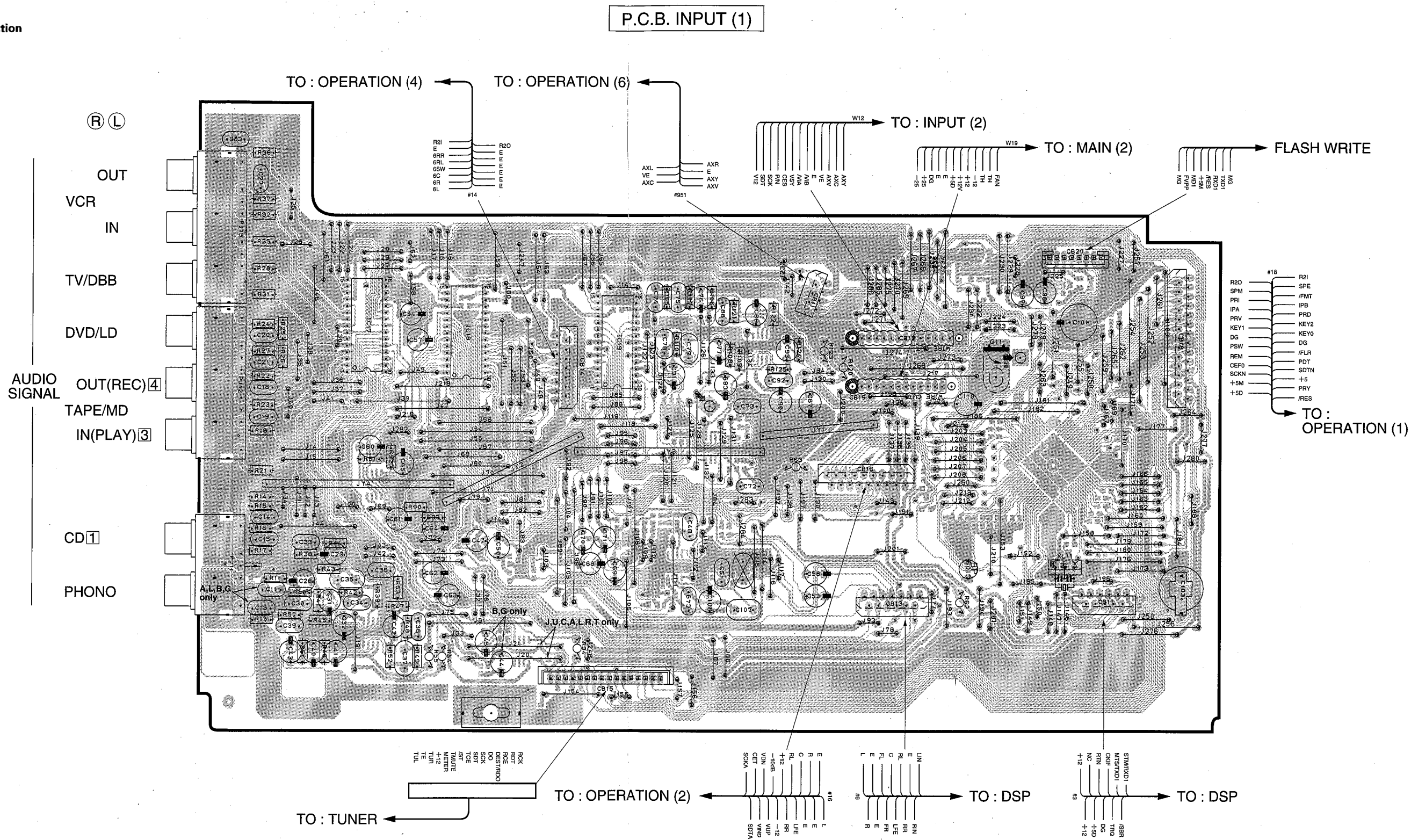
Ref No.	Location	Ref No.	Location
Q502	B2	Q523A	B1
Q504	B3	Q523C	C1
Q505	B3	Q526A	E2
Q506	D3	Q526C	F2
Q507	B2	Q527A	E1
Q508	B2	Q527C	F1
Q509	B3	Q530A	C2
Q510	D3	Q530C	D2
Q511	B2	Q531A	D1
Q512	B2	Q531C	D1
Q513	B3	Q534	C1
Q514	B1	Q535	B2
Q515	C2	Q536	F2
Q516	E1	Q537	C2
Q517	C2	Q538	D3
Q518	D1	Q540	B2
Q519	C3	Q541	B3
Q522A	B2		
Q522C	C2		



PRINTED CIRCUIT BOARD (Foil side) / シート図 (パターン側)

● Semiconductor Location

Ref No.	Location
IC17	C3
IC18	D3
IC19	D3

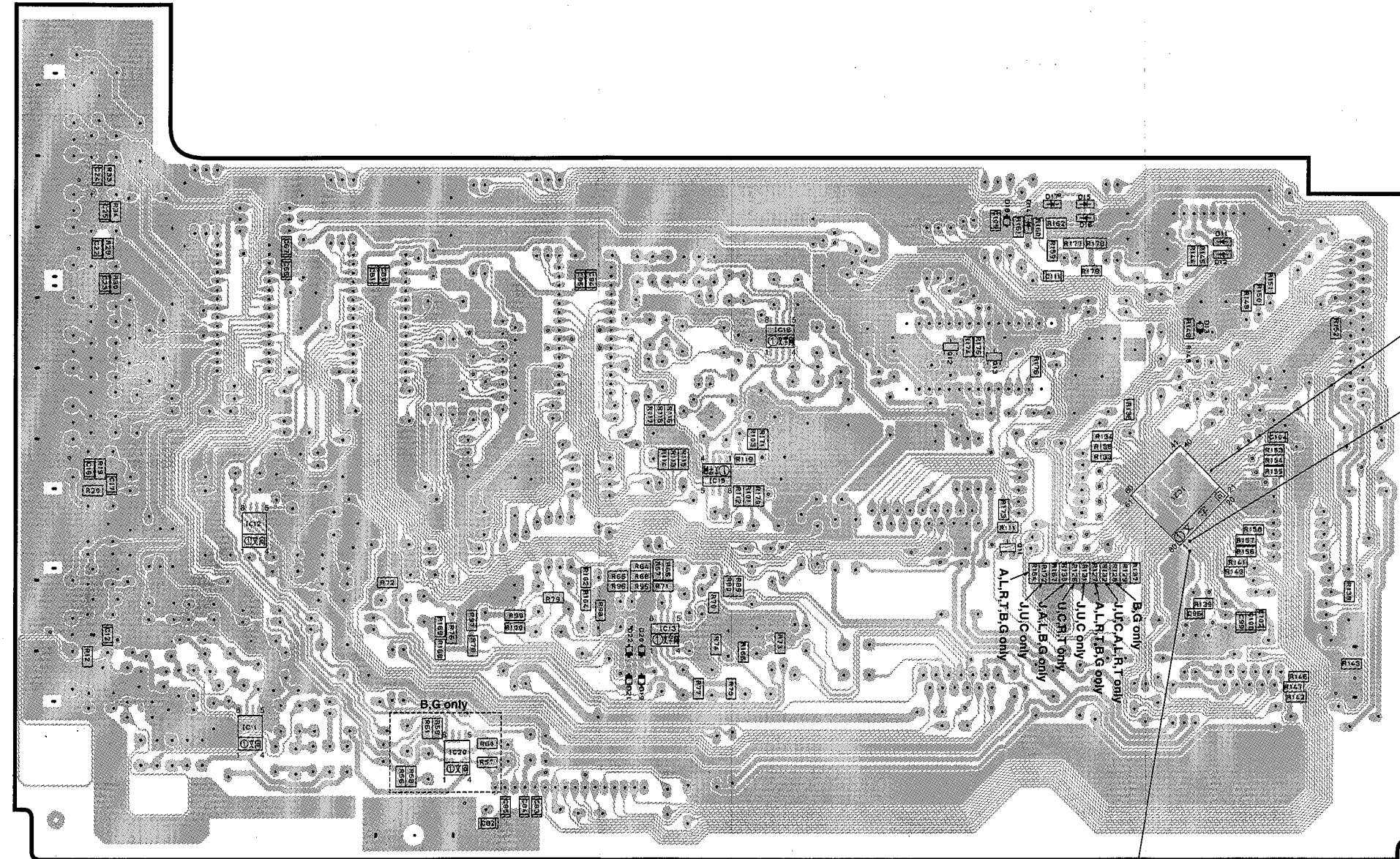


PRINTED CIRCUIT BOARD (Foil side) / シート図 (パターン側)

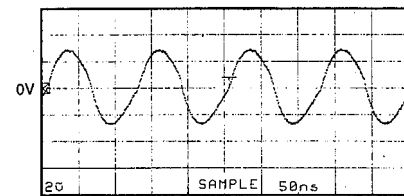
P.C.B. INPUT (1)

● Semiconductor Location

Ref No.	Location	Ref No.	Location
Q11	F4	IC11	C4
Q12	F3	IC12	C4
Q13	F3	IC13	D4
		IC15	E3
		IC16	E3
		IC20	D4
		IC21	F3

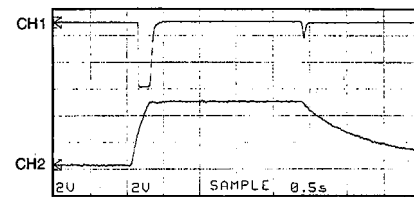


Point ③ (Pin3 of IC21)
 V : 2V/div H : 50 nsec/div
 DC range 1 : 1 probe



Point ④

CH1 : Pin1 of IC21 V : 2V/div (CH1)
 CH2 : Pin29 of IC21 V : 2V/div (CH2)
 H : 0.5 sec/div DC range 1 : 1 probe
 (This waveform is not available by pushing the power switch ON and OFF.)



With the POWER ON, disconnect the A/C power cord. Reconnect the A/C power cord and the above waveforms will start.

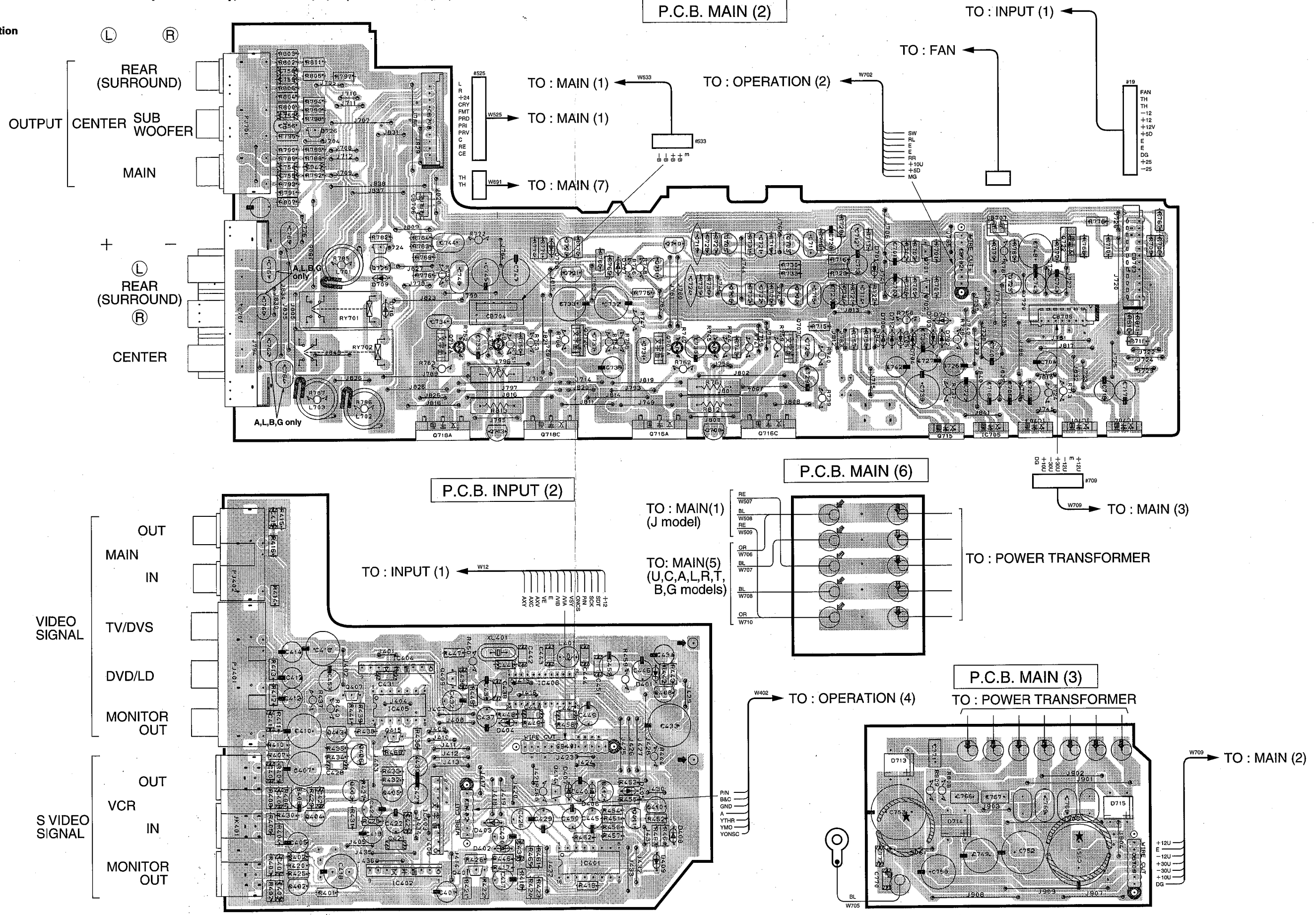
Disconnect the power cord from the AC outlet.

PRINTED CIRCUIT BOARD (Foil side) / シート図 (パターン側)

● Semiconductor Location

Ref No.	Location
Q401	D6
Q402	C6
Q403	C5
Q404	C5
Q405	C5
Q406	C5
Q407	C5
Q408	E5
Q409	D5
Q410	E5
Q411	E5
Q412	E5
Q413	C5
Q414	D5
Q415	C5
Q701	F2
Q702	F3
Q703	F2
Q704	F3
Q705	E2
Q706	E2
Q707A	E3
Q707C	F3
Q708	E3
Q710	E2
Q711	E2
Q712A	D3
Q712C	D3
Q713	D3
Q715	E3
Q716A	E3
Q716C	E3
Q718A	D3
Q718C	D3
Q720	D2
Q721	D2
Q722	G2
Q723	G2
Q724	C2
Q725	C2
Q726	C2

Ref No.	Location
IC401	E6
IC402	D6
IC403	D5
IC404	C4
IC405	C5
IC406	D5
IC701	G3
IC703	G3
IC704	G3
IC705	G3

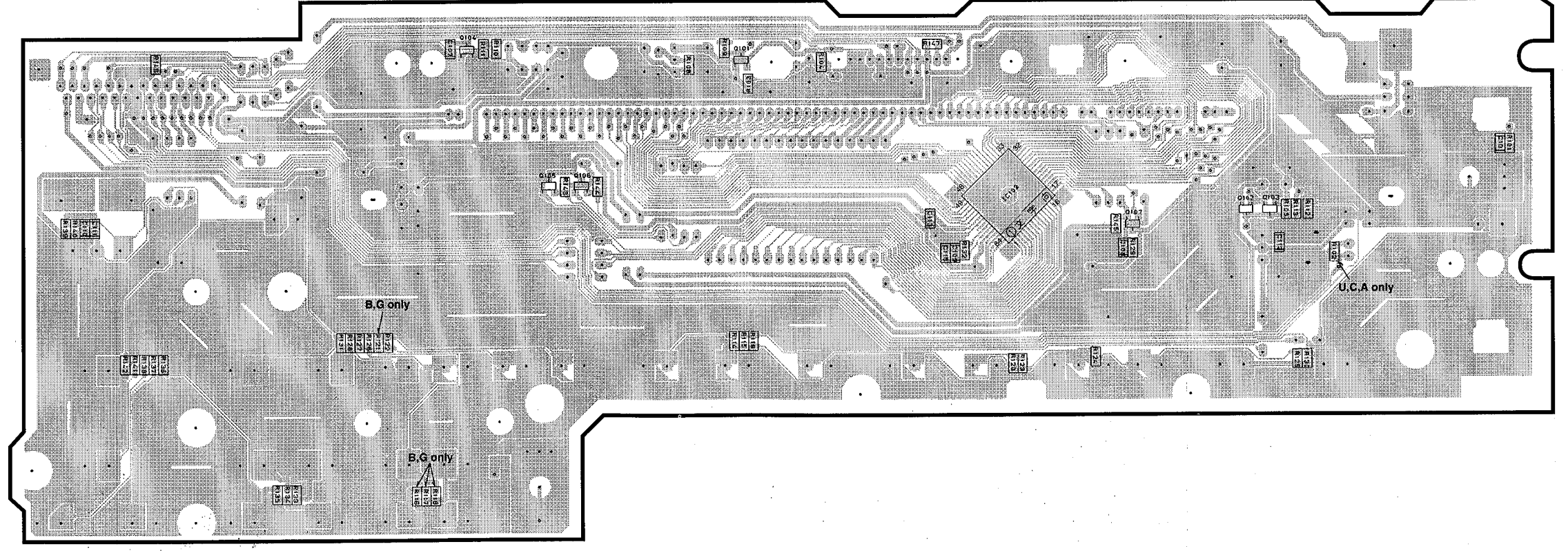
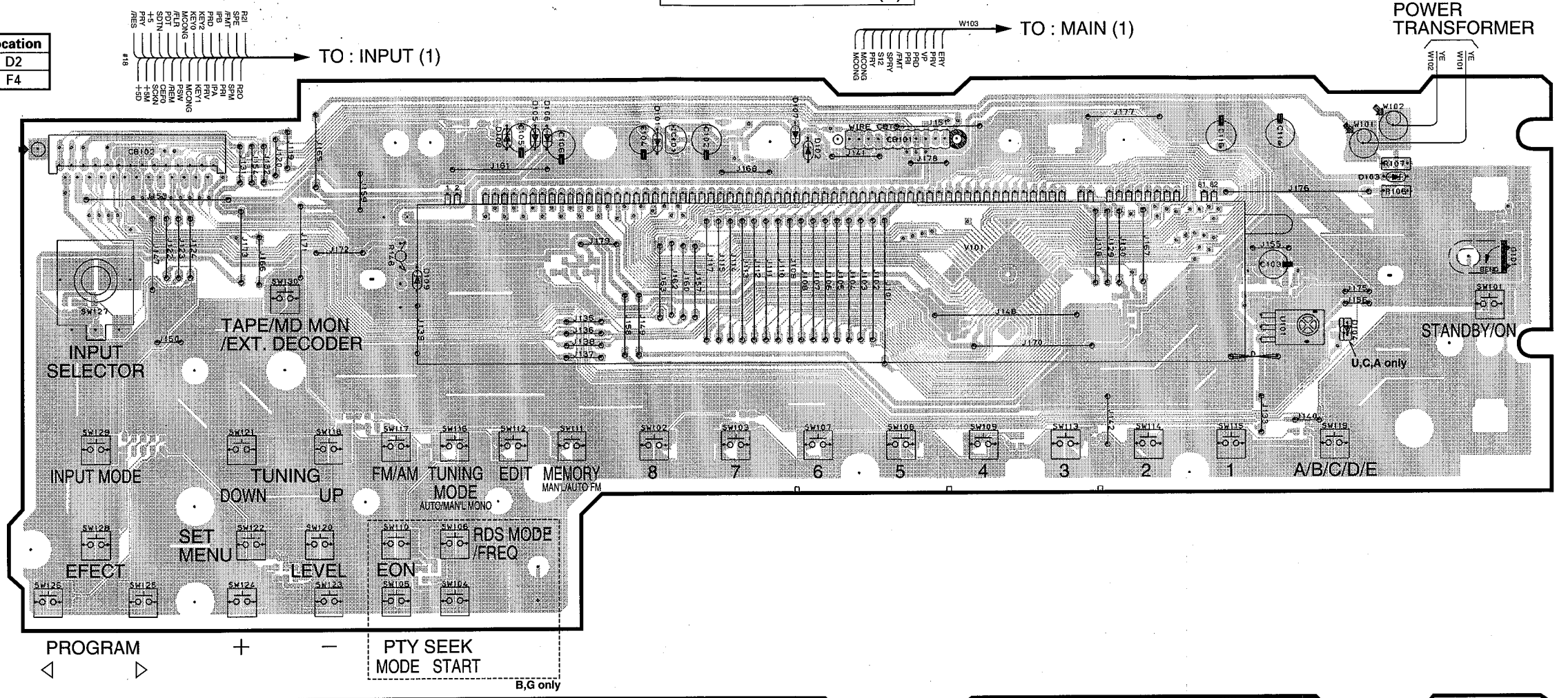


PRINTED CIRCUIT BOARD (Foil side) / シート図 (パターン側)

P.C.B. OPERATION (1)

● Semiconductor Location

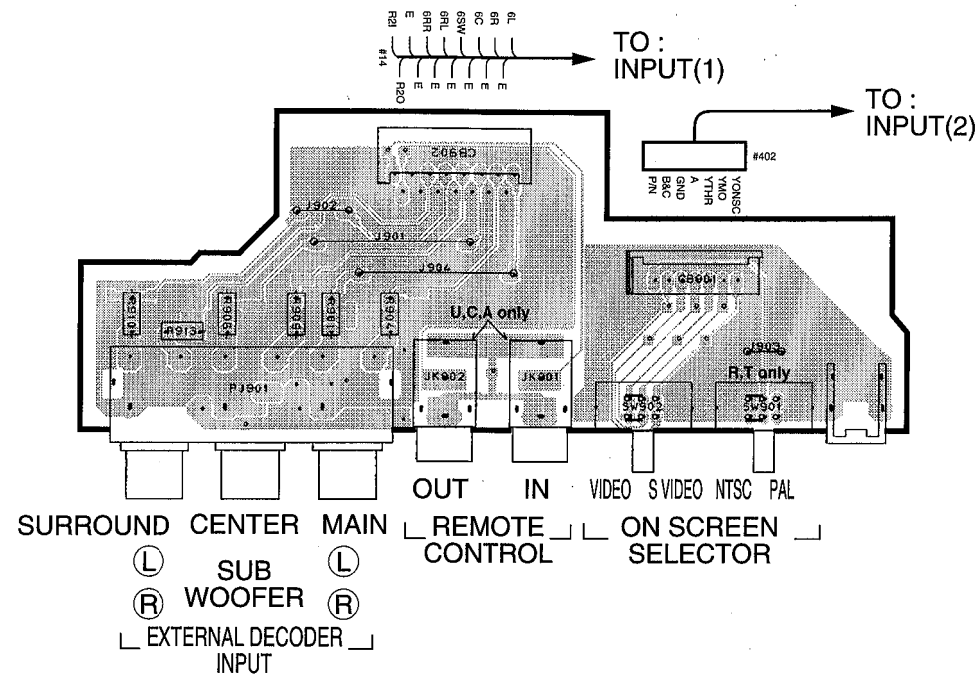
Ref No.	Location	Ref No.	Location
Q101	D4	IC101	D2
Q102	F4	IC102	F4
Q103	G4		
Q104	C4		
Q105	D4		
Q106	D4		
Q107	F5		



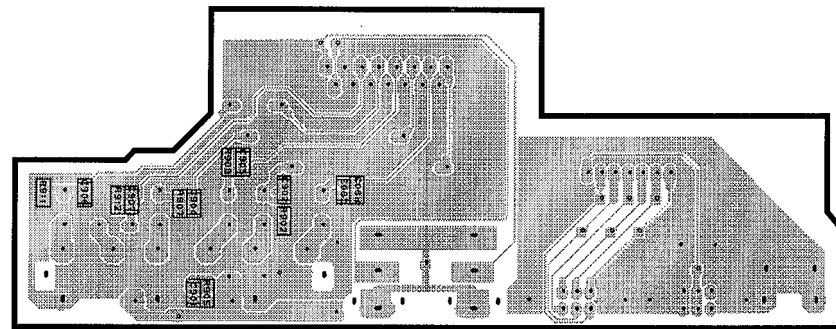
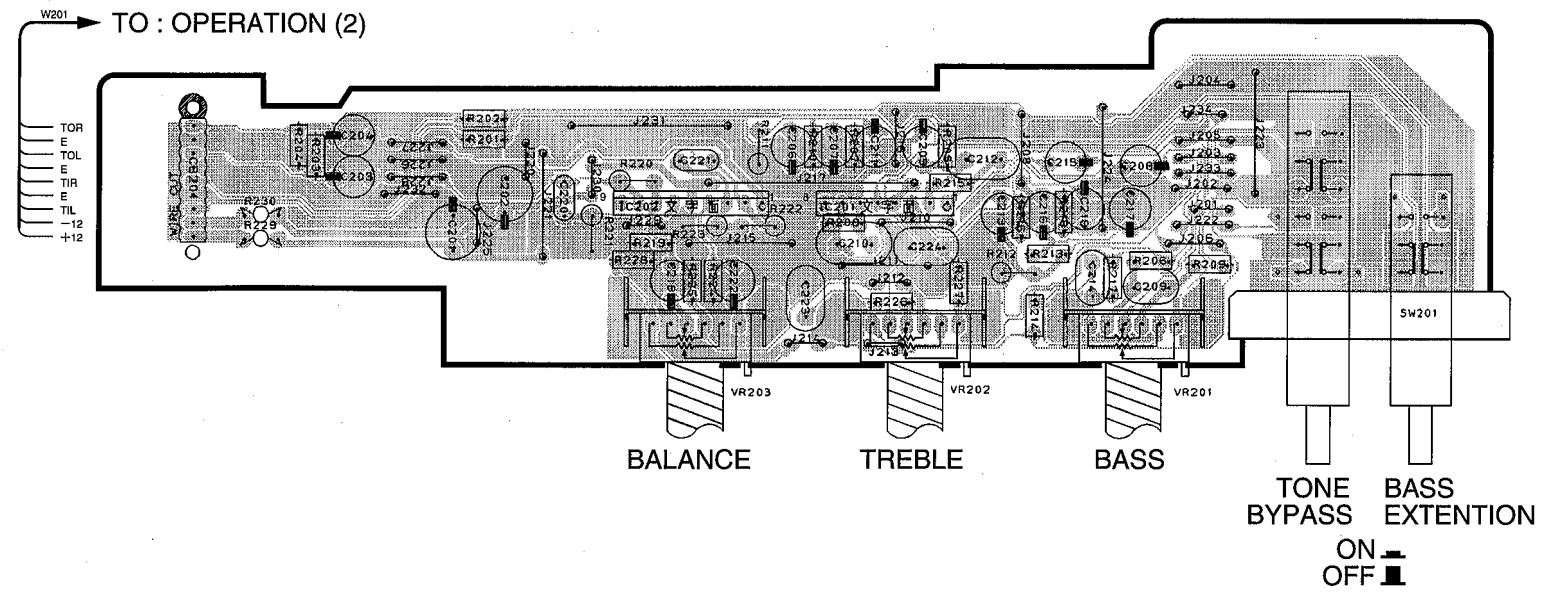
1
2
3
4
5
6

PRINTED CIRCUIT BOARD (Foil side) / シート図 (パターン側)

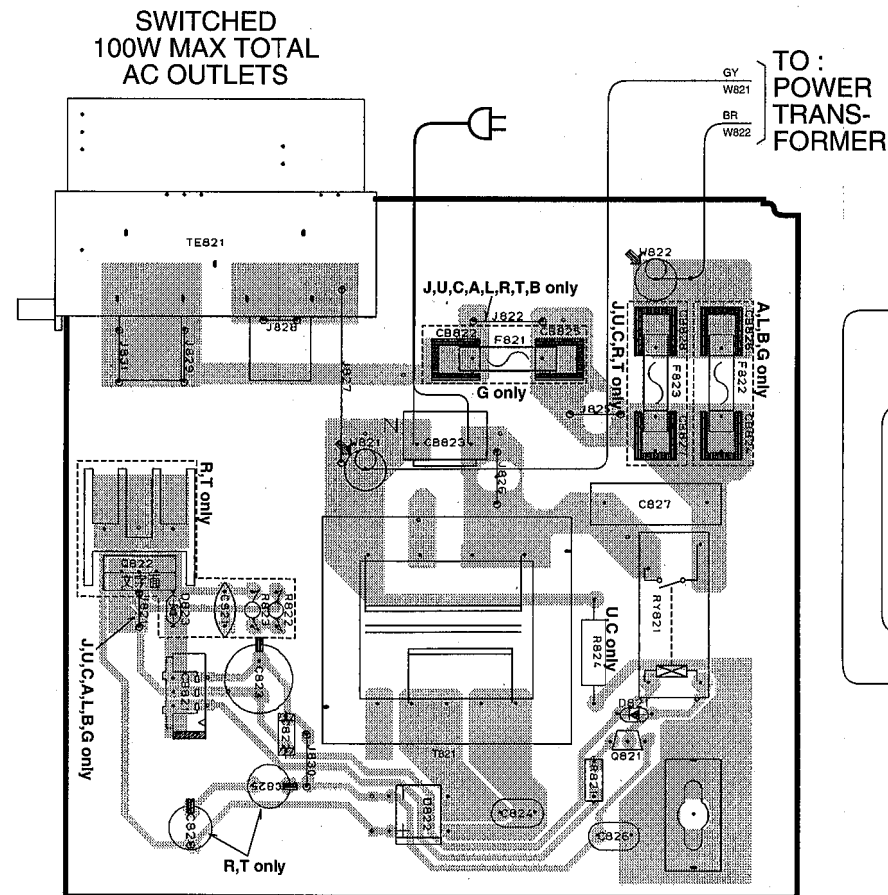
P.C.B. OPERATION (4)



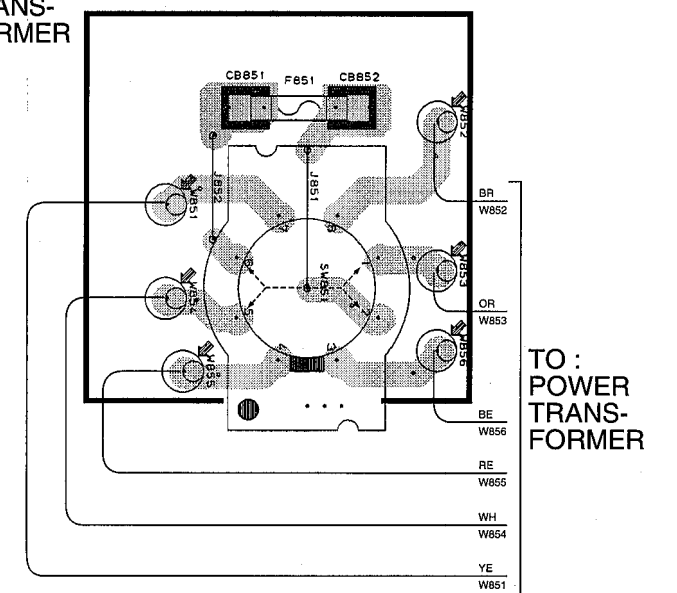
P.C.B. OPERATION (3)



P.C.B. INPUT (3)



R,T models only
P.C.B. INPUT (4)



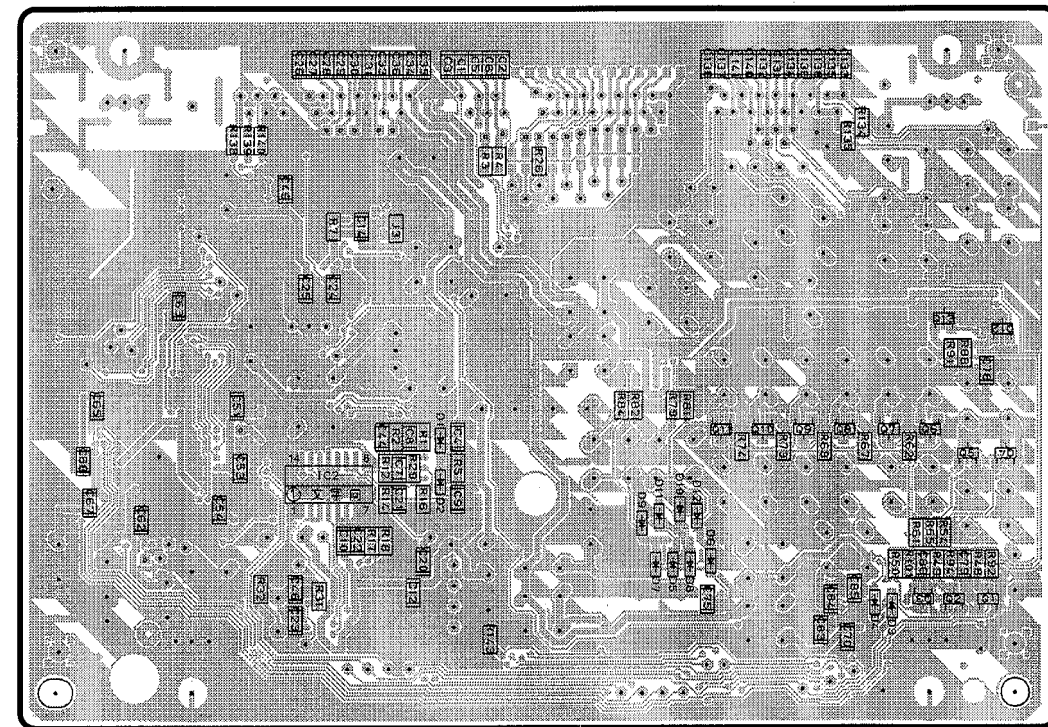
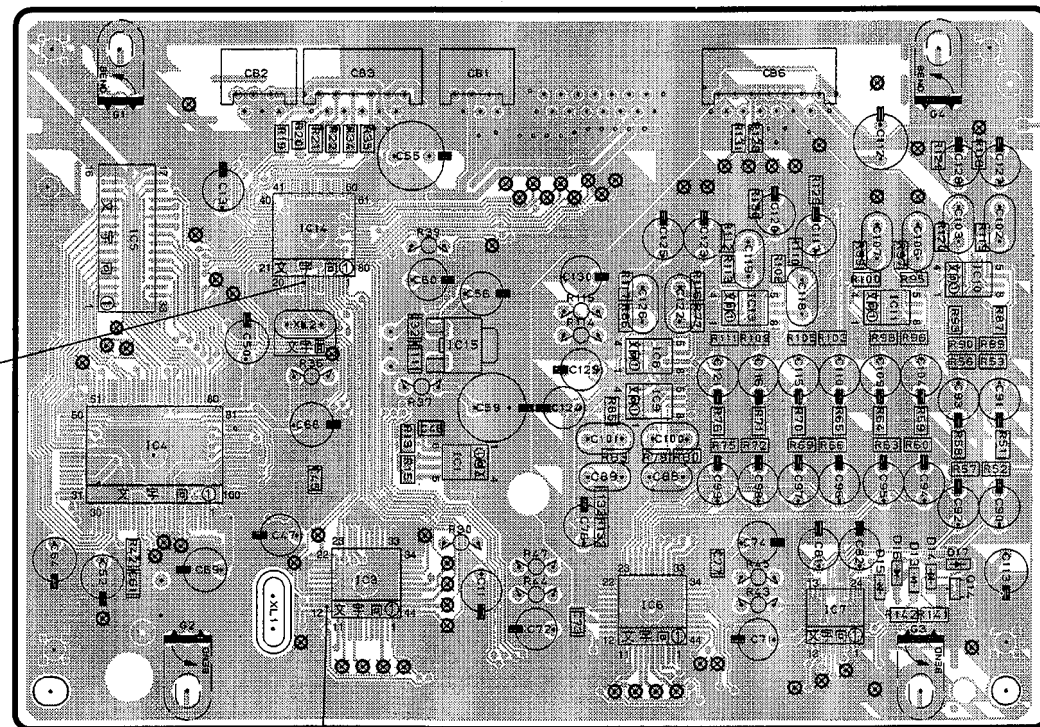
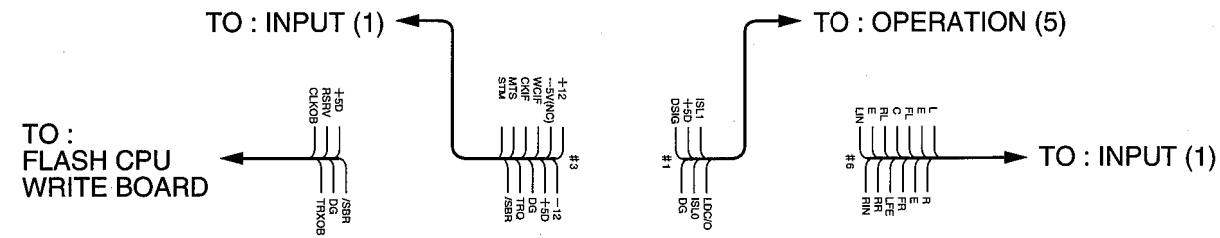
● Semiconductor Location

Ref No.	Location	Ref No.	Location
Q821	F5	IC201	F2
Q822	D5	IC202	E2

PRINTED CIRCUIT BOARD (Foil side)/シート図 (パターン側)

P.C.B. DSP
Lead Type Device

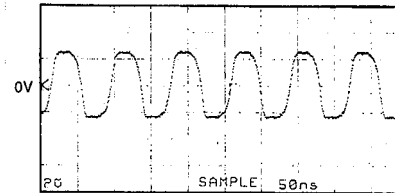
P.C.B. DSP
Surface Mount Device



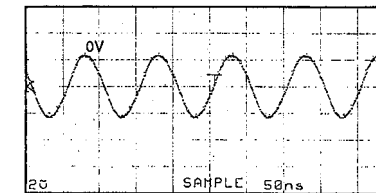
Semiconductor Location

Ref No.	Location	Ref No.	Location
Q1	G4	IC1	C4
Q2	G4	IC2	E4
Q3	G4	IC3	B4
Q4	G4	IC4	B3
Q5	G4	IC5	B3
Q6	G3	IC6	C4
Q7	G3	IC7	D4
Q8	G3	IC8	C3
Q9	G3	IC9	C3
Q10	G3	IC10	D3
Q11	G3	IC11	D3
Q12	G3	IC13	C3
Q13	G3	IC14	B3
Q14	D4	IC15	C3

Point ⑤ (Pin13 of IC3)
V : 2V/div H : 50 nsec/div
DC range 1 : 1 probe



Point ⑥ (Pin13 of IC14)
V : 2V/div H : 50 nsec/div
DC range 1 : 1 probe



PRINTED CIRCUIT BOARD (Foil side) / シート図 (パターン側)

Semiconductor Location

Ref No.	Location	Ref No.	Location
Q1	C4	IC1	B4
Q2	C4	IC2	C3
Q3	C5	IC3	C3
Q4	B4		
Q5	B3		
Q6	B2		
Q7	C4		

There are two types of the Tuner P.C.B. Assembly in this model: One is a lead type device and the other is a lead type device & surface mount device (SMD). These two P.C.B. assemblies are compatible.

このモデルは部品構成上P.C.B. Ass'y TUNERが、Lead Type DeviceとLead Type Device & Surface Mount Device(SMD)の2種類あります。両方のP.C.B. Ass'yには、互換性があります。

P.C.B. Ass'y List

	MARKETS	Lead Type	Lead & SMD
DSP-R795	J	V2518500	V2519200
RX-V795/R-V1105	U,C	V2518600	V2519300
RX-V795/R-V1105	R,T	V2518700	V2519400
RX-V795/R-V1105	A,L	V2518800	V2519500

J,U,C,A,L,R,T models only

P.C.B. TUNER/SMD

Lead Type & SMD

J,U,C,A,L,R,T models only

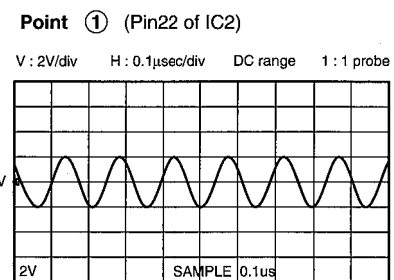
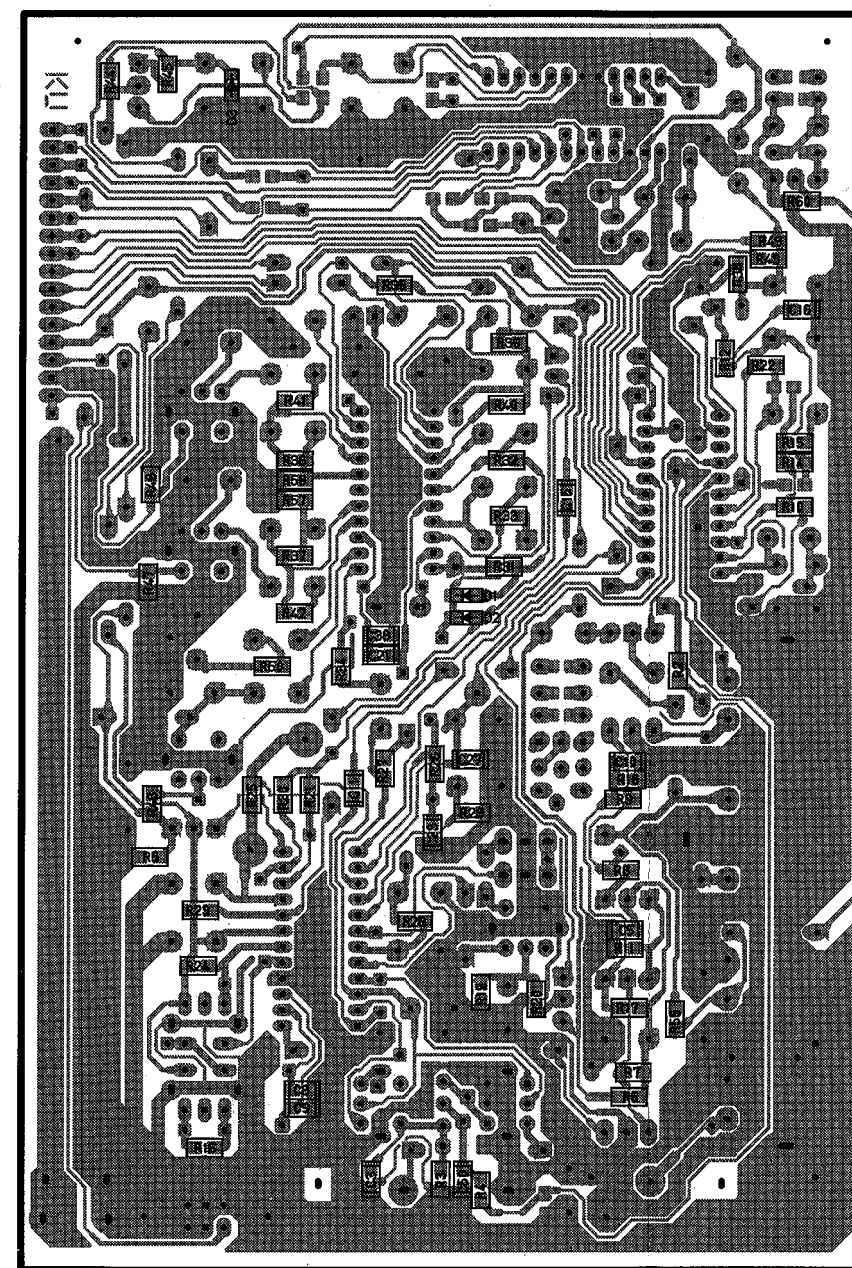
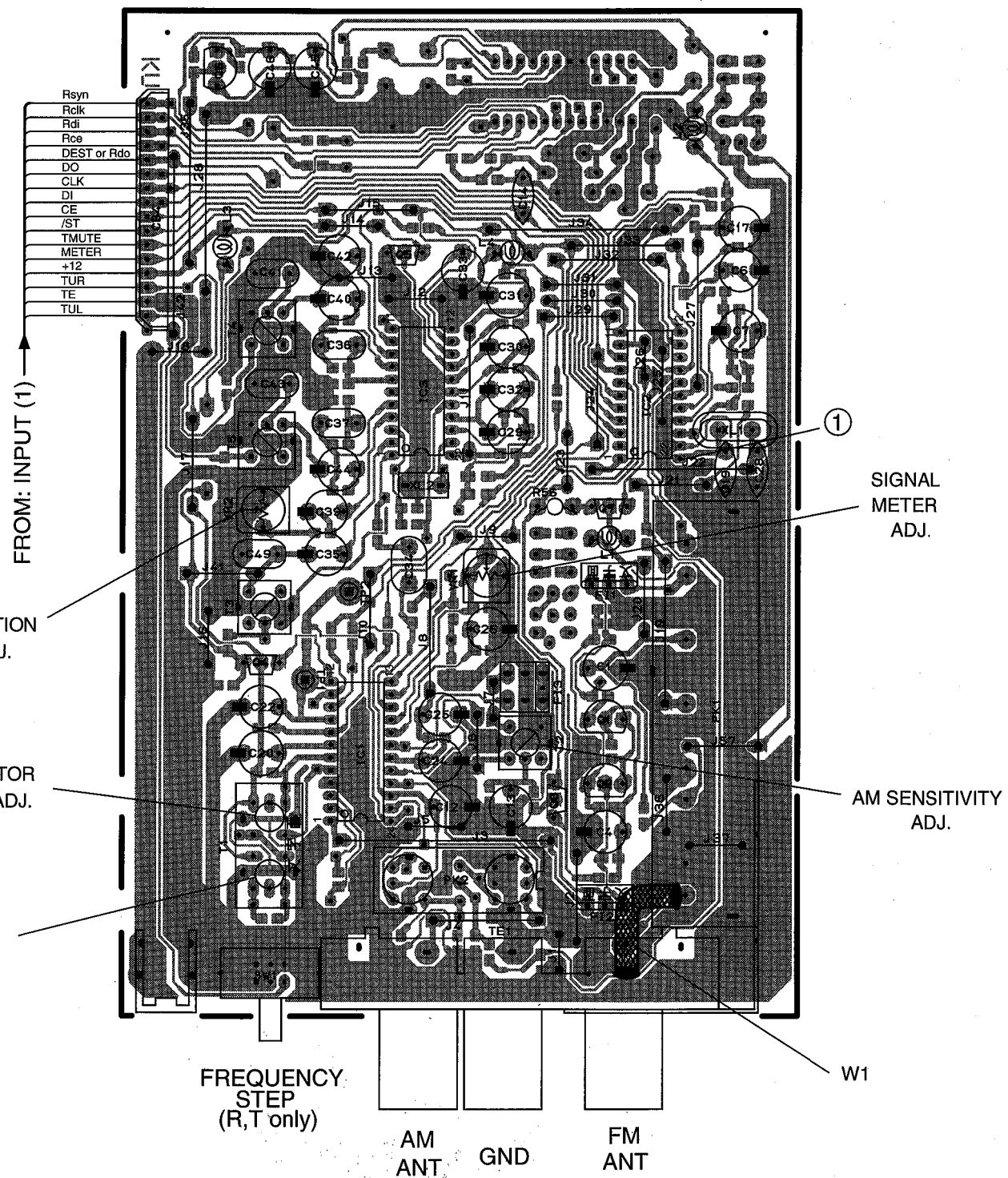
P.C.B. TUNER/SMD

Lead Type & SMD

CIRCUIT CHANGES BY MARKET.

	J	U,C	R,T	A,B,G,L
R48	X	X	X	O
T3	X	X	X	O
J41	O	O	O	X
SW1	X	X	O	X
J42	X	X	O	X
R55	X	X	X	O
R57	X	X	X	O
R58	X	X	X	O
R60	X	X	X	O

O:USED
X:NOT USED



1
2
3
4
5
6

PRINTED CIRCUIT BOARD (Foil side) / シート図 (パターン側)

Semiconductor Location

Ref No.	Location	Ref No.	Location
Q1	C4	IC1	C3
Q2	C4	IC2	D5
Q3	C4	IC3	D4
Q4	C3		
Q5	E4		
Q6	F3		
Q7	D4		

There are two types of the Tuner P.C.B. Assembly in this model: One is a lead type device and the other is a lead type device & surface mount device (SMD). These two P.C.B. assemblies are compatible.

このモデルは部品構成上P.C.B. Ass'y TUNERが、Lead Type DeviceとLead Type Device & Surface Mount Device(SMD)の2種類あります。両方のP.C.B. Ass'yには、互換性があります。

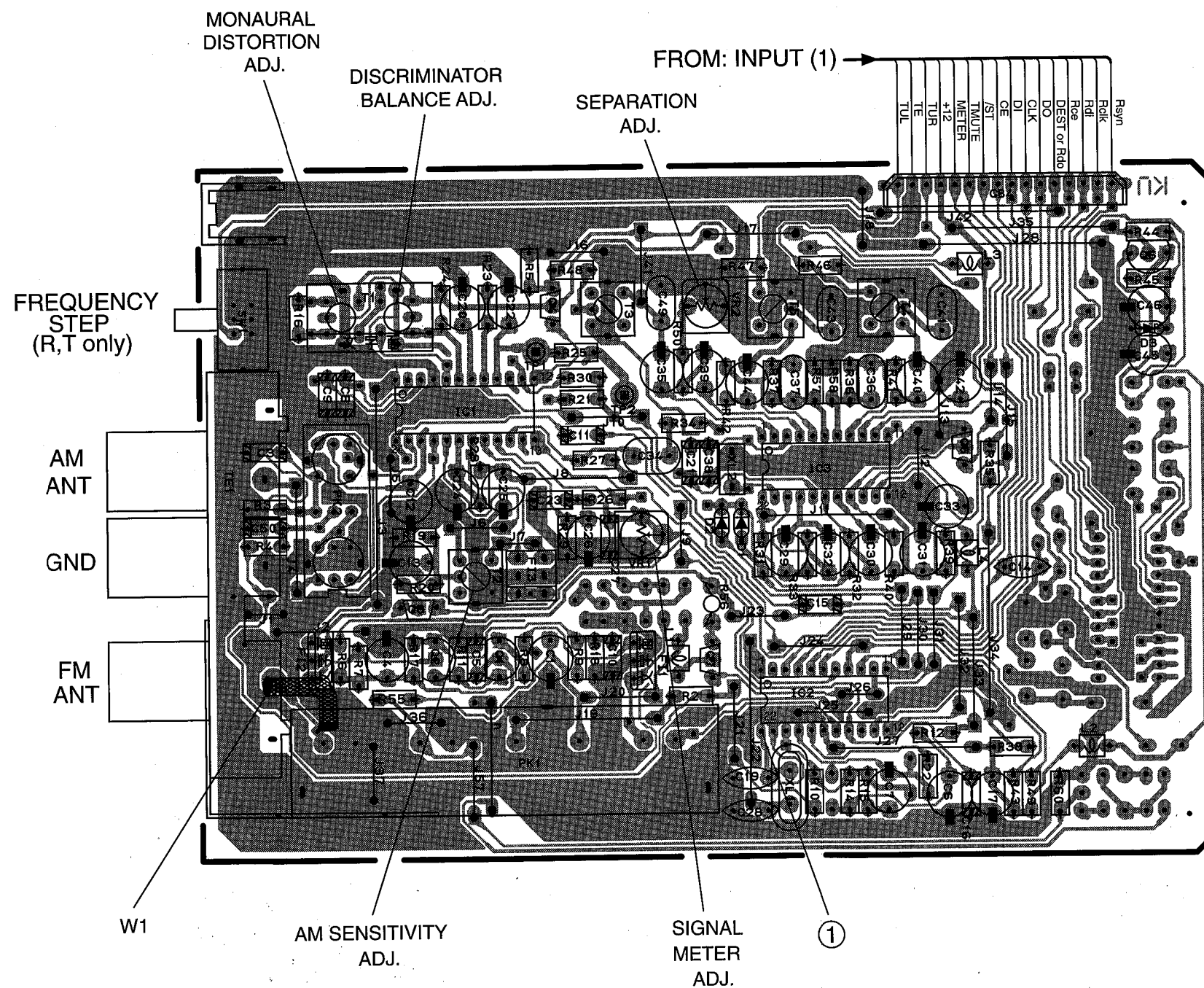
P.C.B. Ass'y List

	MARKETS	Lead Type	Lead & SMD
DSP-R795	J	V2518500	V2519200
RX-V795/R-V1105	U,C	V2518600	V2519300
RX-V795/R-V1105	R,T	V2518700	V2519400
RX-V795/R-V1105	A,L	V2518800	V2519500

J,U,C,A,L,R,T models only

P.C.B. TUNER

Lead Type



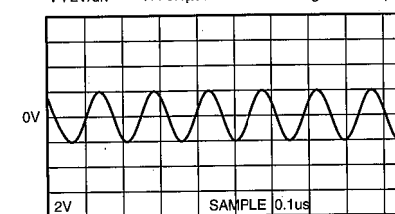
CIRCUIT CHANGES BY MARKET.

	J	U,C	R,T	A,B,G,L
R48	X	X	X	○
T3	X	X	X	○
J41	○	○	○	X
SW1	X	X	○	X
J42	X	X	○	X
R55	X	X	X	○
R57	X	X	X	○
R58	X	X	X	○
R60	X	X	X	○

○:USED
X:NOT USED

Point ① (Pin22 of IC2)

V: 2V/div H: 0.1μsec/div DC range 1:1 probe



PRINTED CIRCUIT BOARD (Foil side) / シート図 (パターン側)

Semiconductor Location

Ref No.	Location	Ref No.	Location
Q1	C4	IC1	B4
Q2	C4	IC2	C3
Q3	C5	IC3	C3
Q4	B4	IC4	C2
Q5	B3		
Q6	B2		
Q7	C4		

There are two types of the Tuner P.C.B. Assembly in this model: One is a lead type device and the other is a lead type device & surface mount device (SMD). These two P.C.B. assemblies are compatible.

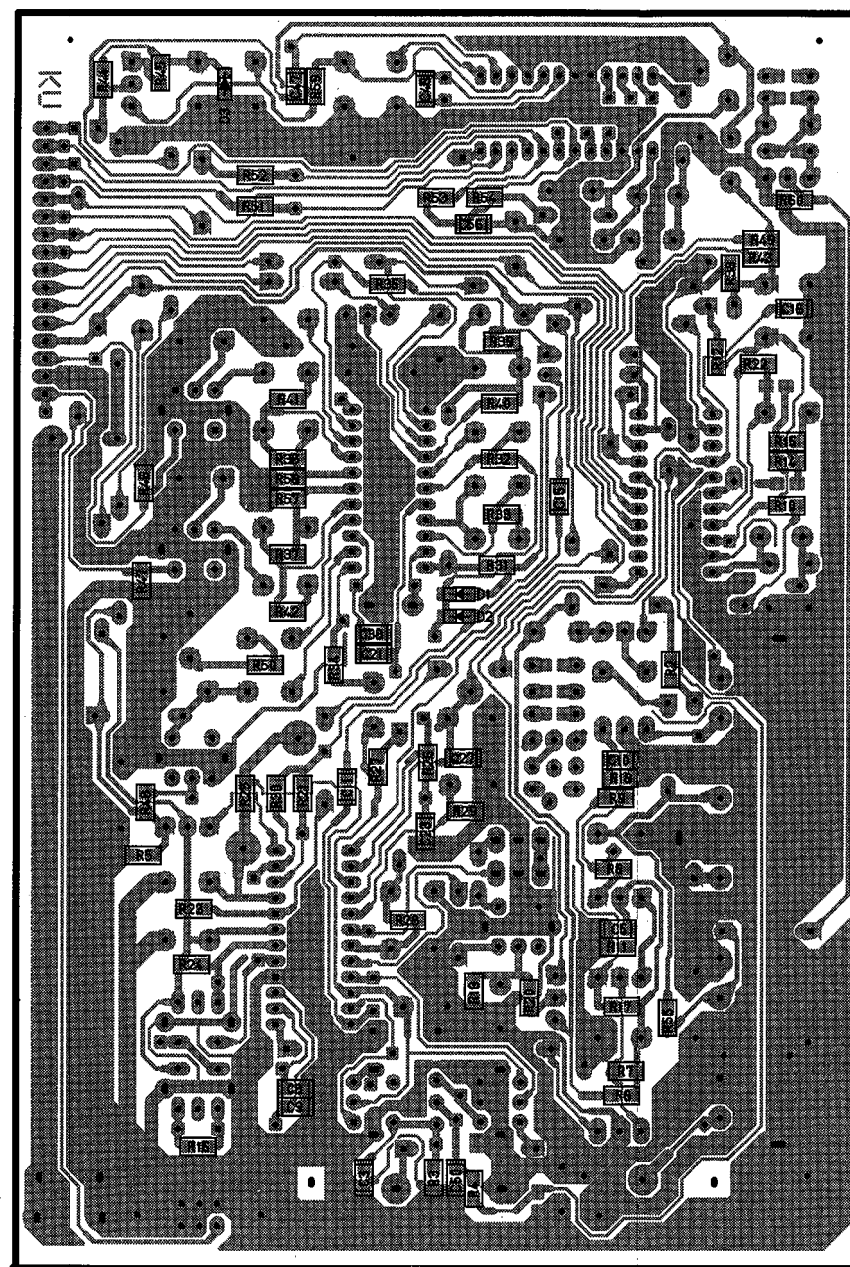
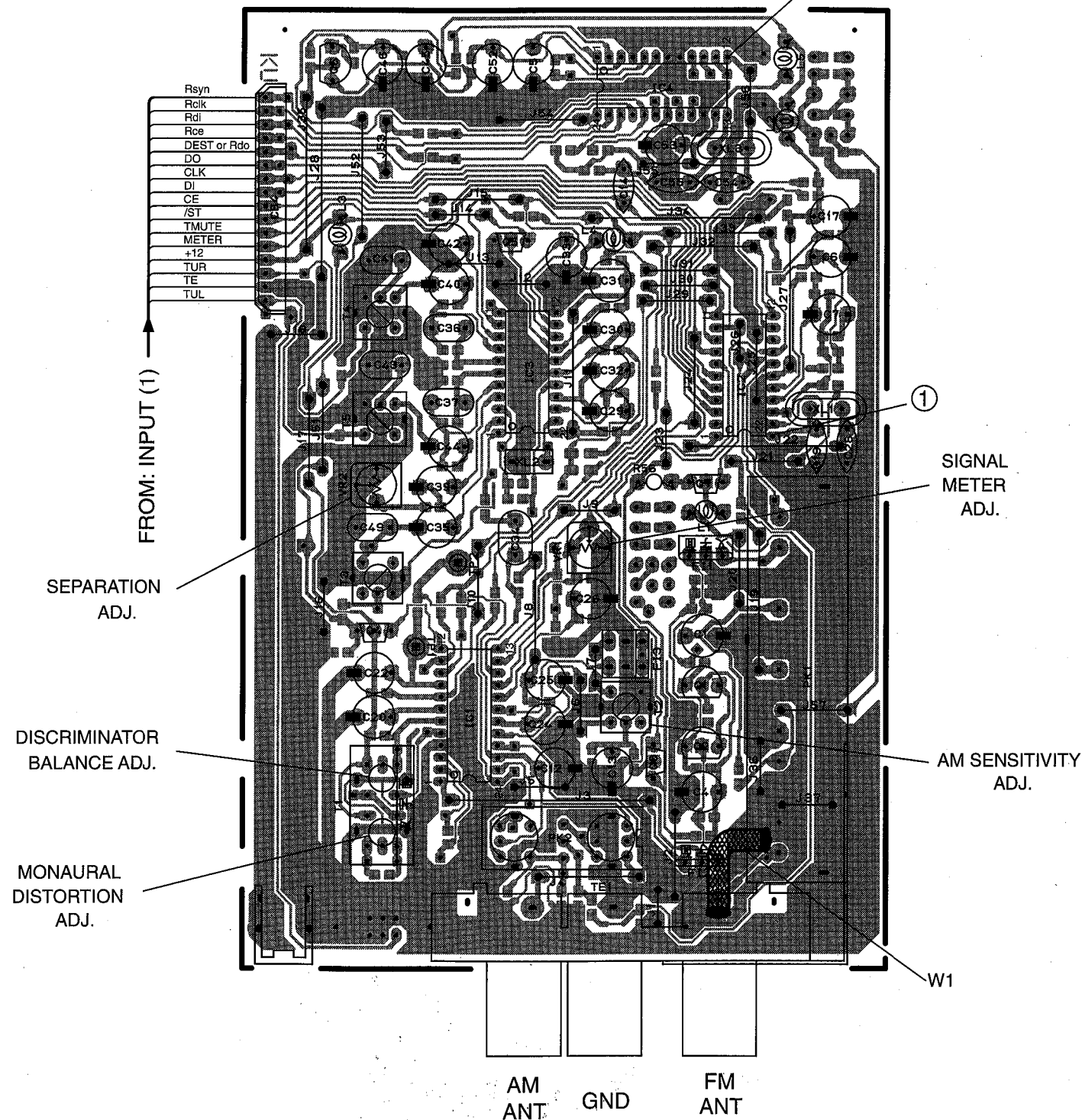
P.C.B. Ass'y List

	MARKETS	Lead Type	Lead & SMD
RX-V795RDS	B,G	V2518900	V2519600

このモデルは部品構成上P.C.B. Ass'y TUNERが、Lead Type DeviceとLead Type Device & Surface Mount Device(SMD)の2種類あります。両方のP.C.B. Ass'yには、互換性があります。

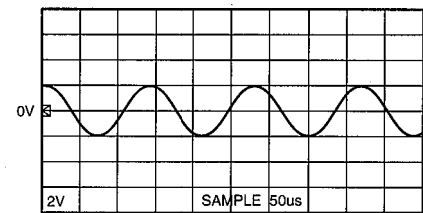
B,G models only
P.C.B. TUNER/SMD
Lead Type & SMD

B,G models only
P.C.B. TUNER/SMD
Lead Type & SMD



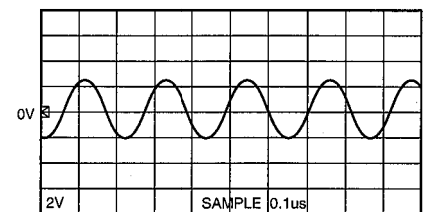
Point ① (Pin22 of IC2)

V: 2V/div H: 50nsec/div DC range 1:1 probe



Point ② (Pin12 of IC4)

V: 2V/div H: 0.1µsec/div DC range 1:1 probe



PRINTED CIRCUIT BOARD (Foil side) / シート図 (パターン側)

Semiconductor Location

Ref No.	Location	Ref No.	Location
Q1	C4	IC1	C3
Q2	C4	IC2	D5
Q3	C4	IC3	D4
Q4	C3	IC4	F4
Q5	E4		
Q6	F3		
Q7	D4		

There are two types of the Tuner P.C.B. Assembly in this model: One is a lead type device and the other is a lead type device & surface mount device (SMD). These two P.C.B. assemblies are compatible.

このモデルは部品構成上P.C.B. Ass'y TUNERが、Lead Type DeviceとLead Type Device & Surface Mount Device(SMD)の2種類あります。両方のP.C.B. Ass'yには、互換性があります。

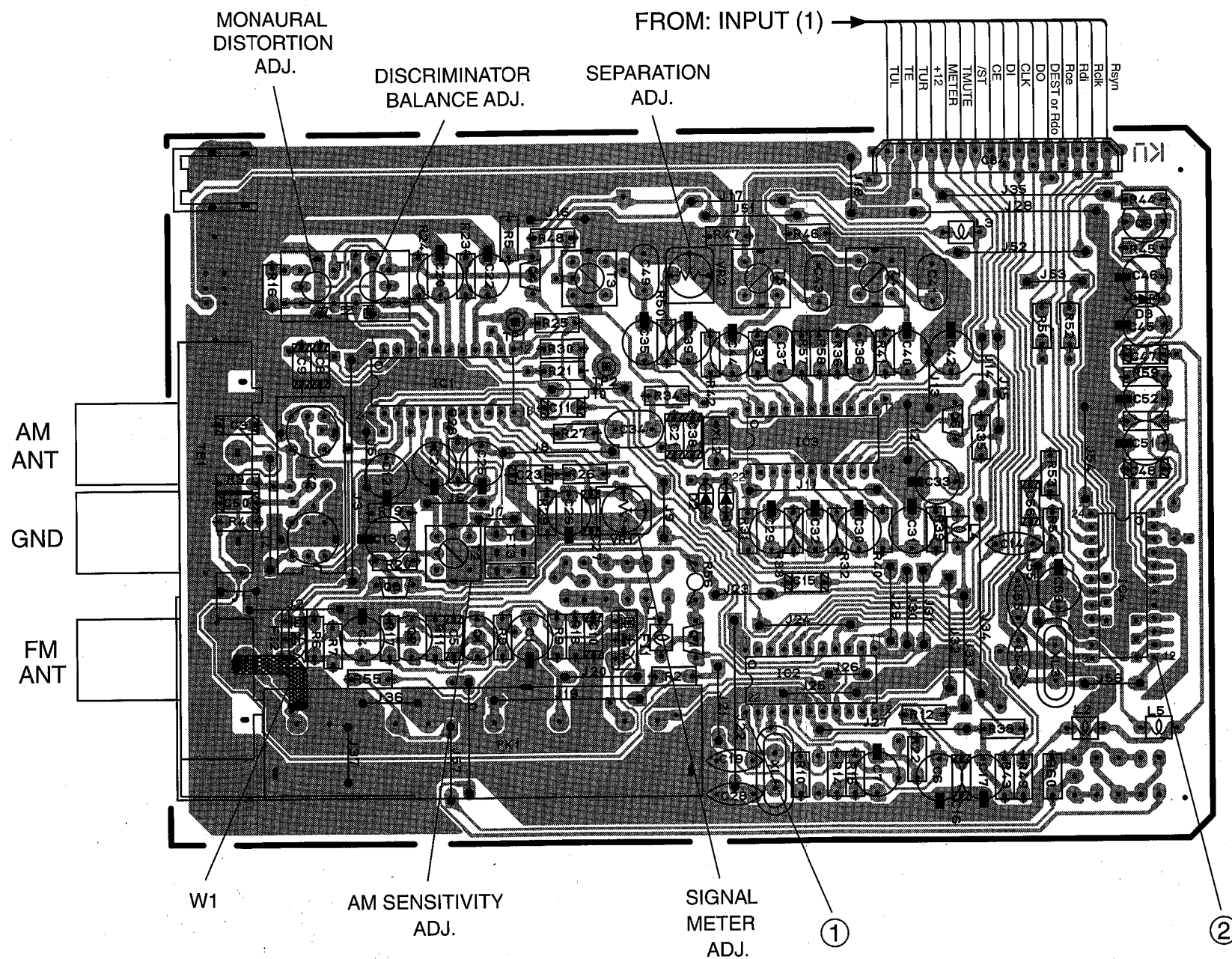
P.C.B. Ass'y List

	MARKETS	Lead Type	Lead & SMD
RX-V795RDS	B,G	V2518900	V2519600

B,G models only

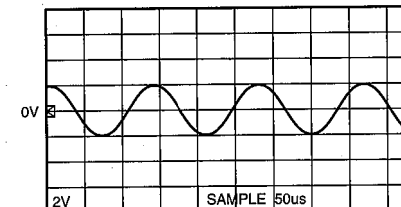
P.C.B. TUNER

Lead Type



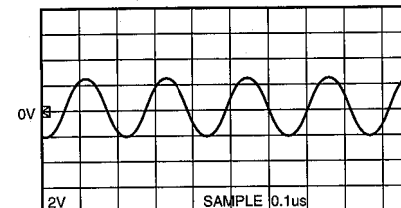
Point ① (Pin22 of IC2)

V : 2V/div H : 50nsec/div DC range 1 : 1 probe



Point ② (Pin12 of IC4)

V : 2V/div H : 0.1μsec/div DC range 1 : 1 probe



■ PIN CONNECTION DIAGRAM / 半導体外形図

● ICs

<p>NJM78L05A</p>	<p>NJM7812FA NJM7805FA</p>	<p>NJM79M12FA</p>	<p>μPC29M33T-E1</p>	<p>NJM2068L-D</p>	<p>μPC4570HA</p>
<p>LA7956</p>	<p>LB1641</p>	<p>HD74HC00P TC74HCU04AP μPD4066BC</p>	<p>HD14053BP HD74HC153P TC9299P</p>	<p>LA3401 LC72131</p>	<p>LA1266 LC74781-9626</p>
<p>LC72720N</p>	<p>LC78211 LC78212 LC78213</p>	<p>NJM2904M-T1 μPC4570G2 NJM2068MD M5220FP</p>	<p>HD74HC02FPPEL</p>	<p>AK4320-VM</p>	<p>M5M51288BKJ-20L</p>
<p>AK4526 YM3436DK</p>	<p>LC75710NE LC75712E</p>	<p>LC87F5164A</p>	<p>YSS918F</p>		

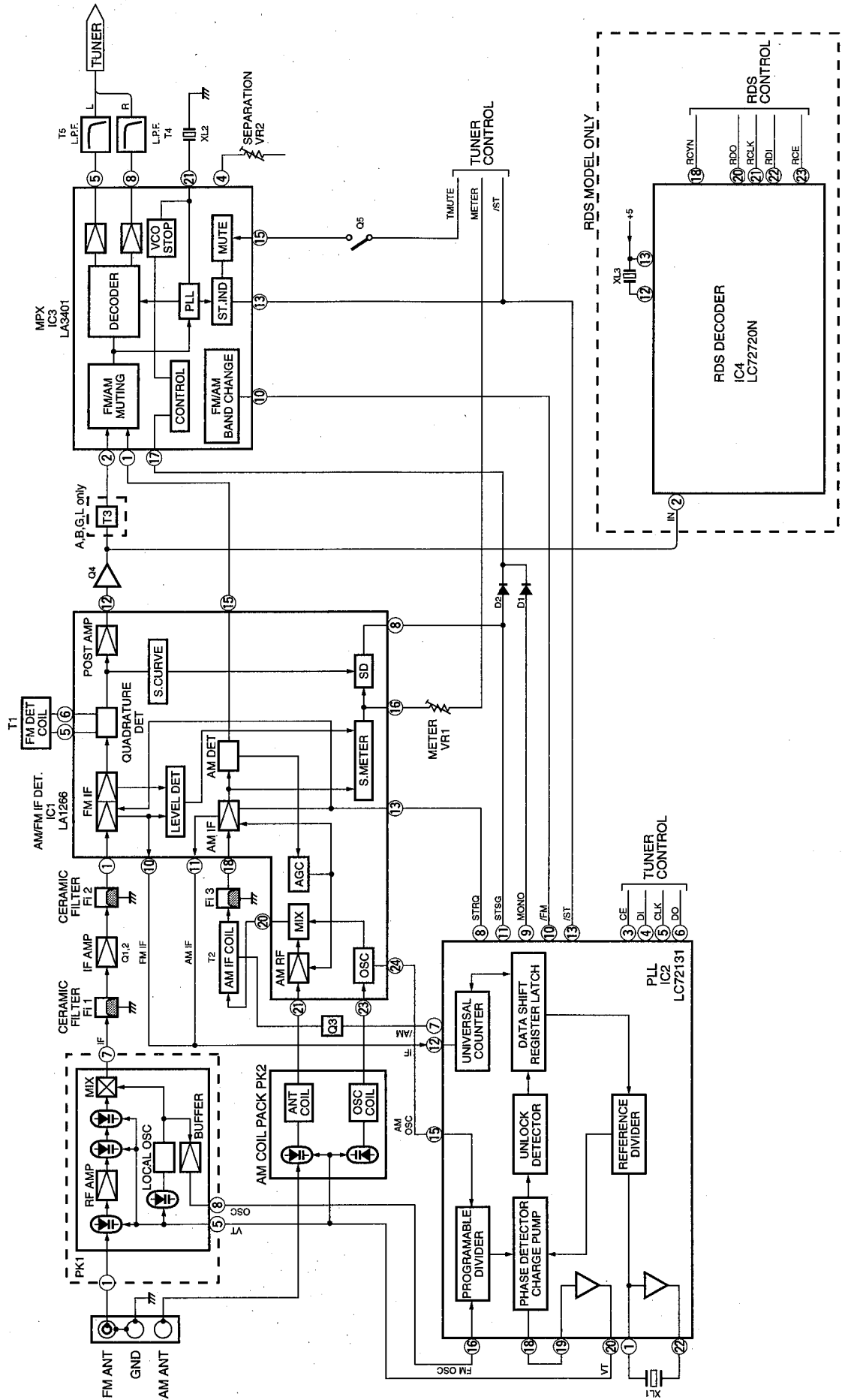
● Diodes

<p>1SS133 1SS270A HZS5B2TD HZS6B2TD HZS7B2TD HZS9A2TD HZS12C2TD HZS242TD HZS302TD MTZJ5.6B</p>	<p>D5SB20</p>
<p>1SS355</p>	<p>S1NB20</p>

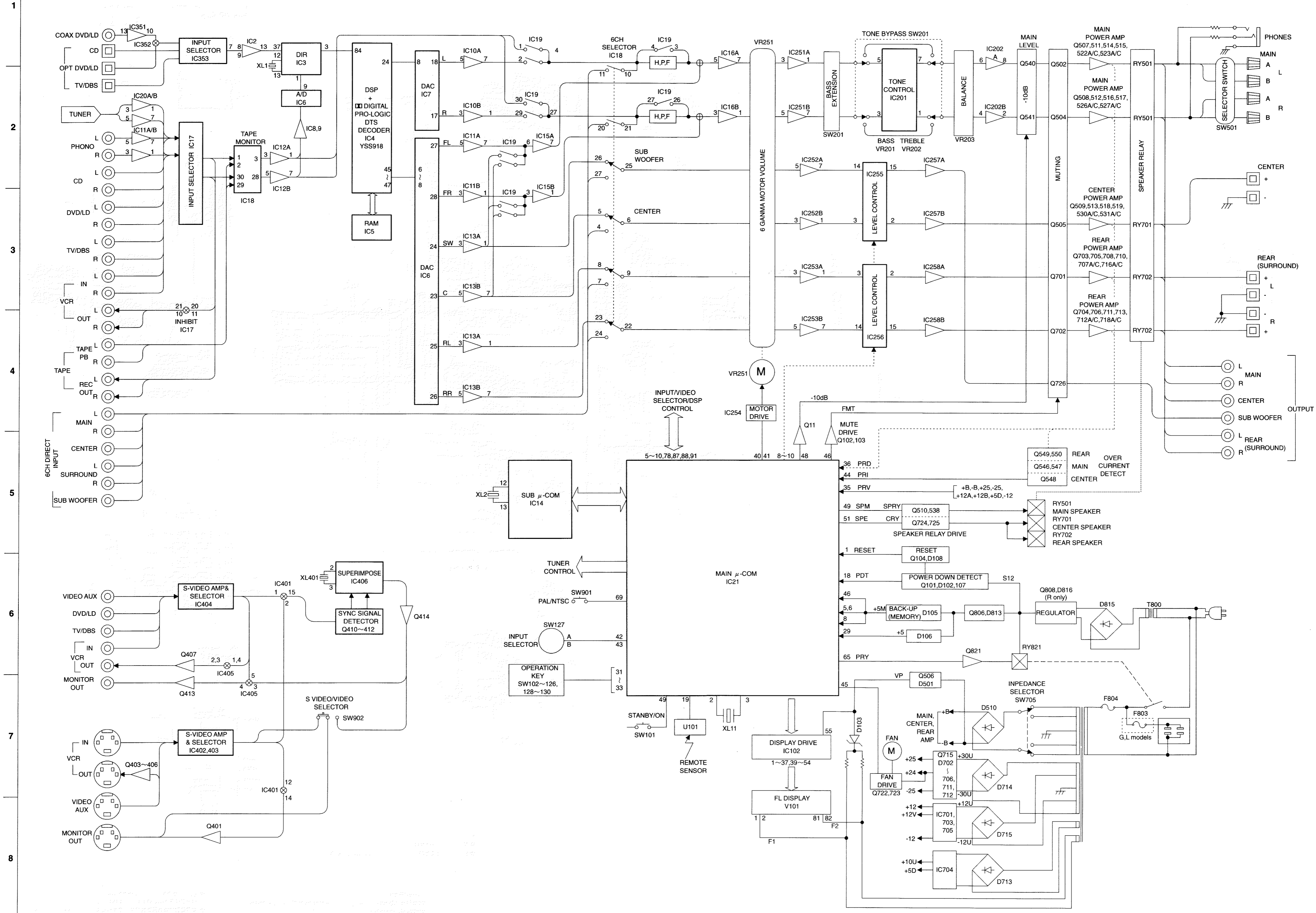
● Transistors

<p>2SA933S (Q, R) 2SC1740S (R, S) 2SD1915F(S, T) DTA144ES DTC144ES</p>	<p>2SA893A (D, E) 2SA970(GR, BL) 2SA1015 (Y) 2SC535 (A, B, C) 2SC1815 (Y) 2SC1890A (D, E) 2SC2229(O, Y) 2SC2240(GR, BL) 2SC2878 (A, B)</p>	<p>2SA1037(Q, R, S) 2SC2412K(Q, R, S) 2SC3326 (A, B) DTA144EK DTC144EKA</p>	
<p>2SA1358 (O, Y)</p>	<p>2SA1492 (O, P, Y)</p>	<p>2SC4495</p>	<p>2SB941(P, Q)</p>

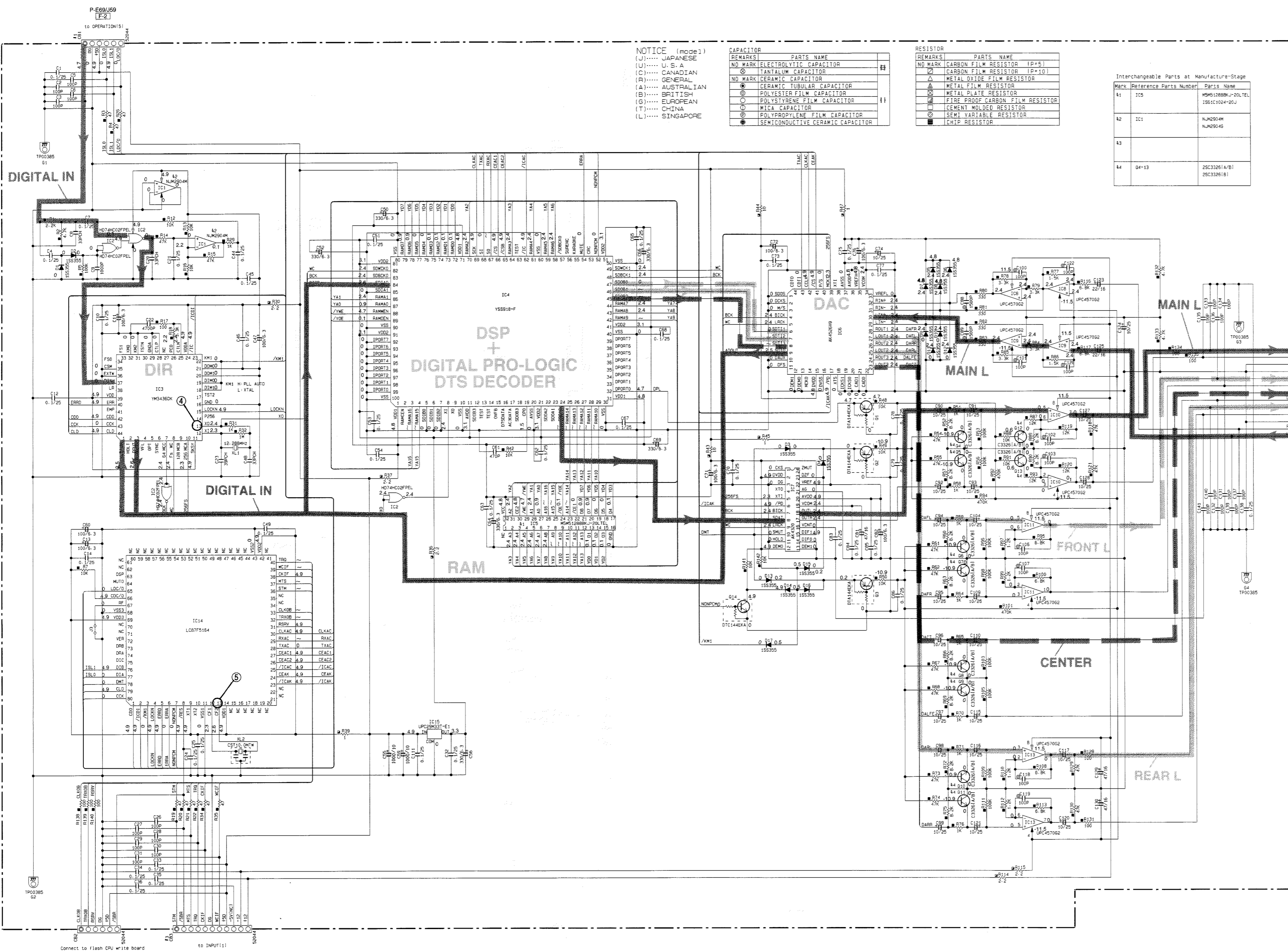
1 ■ BLOCK DIAGRAM / ブロックダイアグラム



■BLOCK DIAGRAM/ブロックダイアグラム



SCHEMATIC DIAGRAM (DSP) / 総回路図

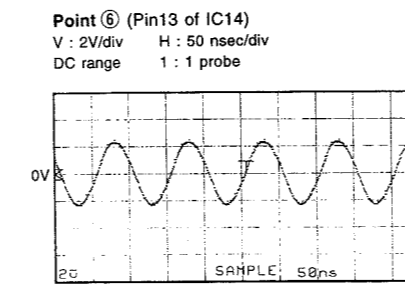
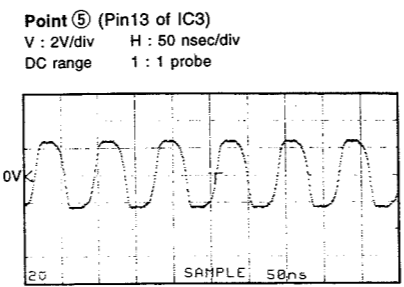
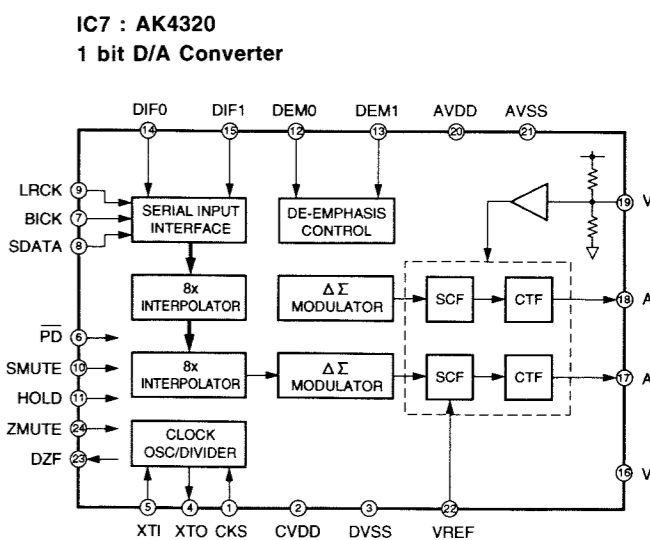
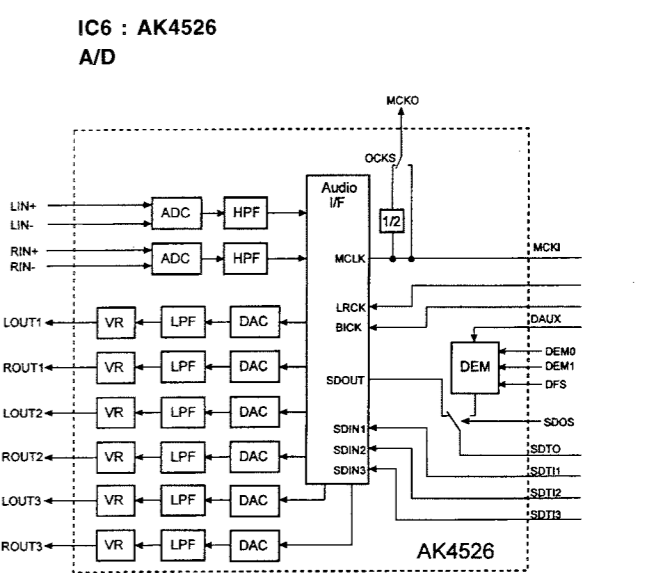
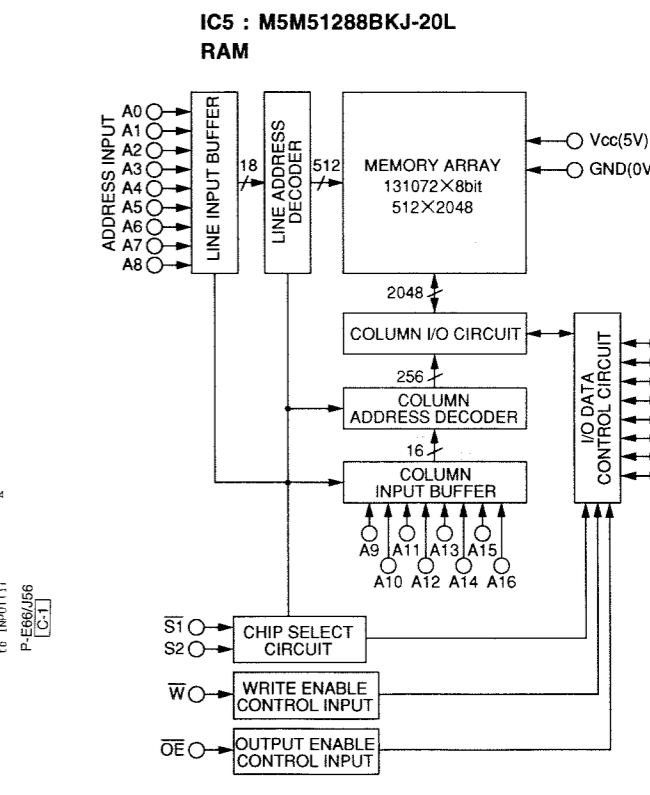
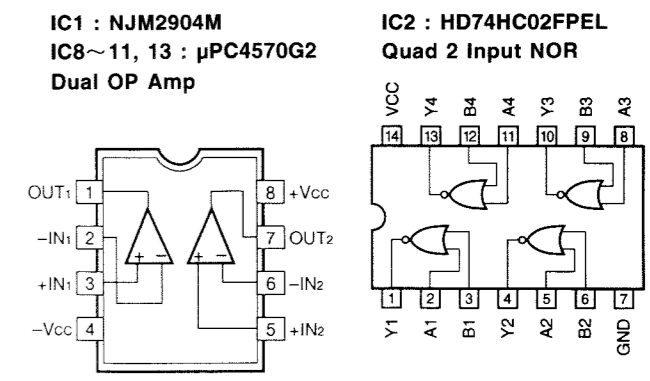


NOTICE (model)
 (J)..... JAPANESE
 (U)..... U.S.A
 (C)..... CANADIAN
 (A)..... AUSTRALIAN
 (B)..... BRITISH
 (E)..... EUROPEAN
 (T)..... CHINA
 (L)..... SINGAPORE

REMARKS	PARTS NAME	UNIT
NO MARK ELECTROLYTIC CAPACITOR	ALUMINUM ELECTROLYTIC CAPACITOR	μF
NO MARK CERAMIC CAPACITOR	TANTALUM CAPACITOR	μF
NO MARK CERAMIC CAPACITOR	CERAMIC CAPACITOR	μF
NO MARK CERAMIC CAPACITOR	CERAMIC TUBULAR CAPACITOR	μF
NO MARK CERAMIC CAPACITOR	POLYESTER FILM CAPACITOR	μF
NO MARK CERAMIC CAPACITOR	POLYSTYRENE FILM CAPACITOR	μF
NO MARK CERAMIC CAPACITOR	NIKA CAPACITOR	μF
NO MARK CERAMIC CAPACITOR	POLYPROPYLENE FILM CAPACITOR	μF
NO MARK CERAMIC CAPACITOR	SEMICONDUCTIVE CERAMIC CAPACITOR	μF

REMARKS	PARTS NAME	UNIT
NO MARK	CARBON FILM RESISTOR (P=5)	Ω
NO MARK	CARBON FILM RESISTOR (P=10)	Ω
NO MARK	METAL OXIDE FILM RESISTOR	Ω
NO MARK	METAL FILM RESISTOR	Ω
NO MARK	METAL PLATE RESISTOR	Ω
NO MARK	FIRE PROOF CARBON FILM RESISTOR	Ω
NO MARK	CEMENT MOUNTED RESISTOR	Ω
NO MARK	SEMI VARIABLE RESISTOR	Ω
NO MARK	CHIP RESISTOR	Ω

Mark	Reference Parts Number	Parts Name
k1	IC3	M5M51288BJ-20L TEL 55511024-20U
k2	IC1	NJM2904M NJM2904S
k3		
k4	04-13	25C3261A/B1 25C3261B1

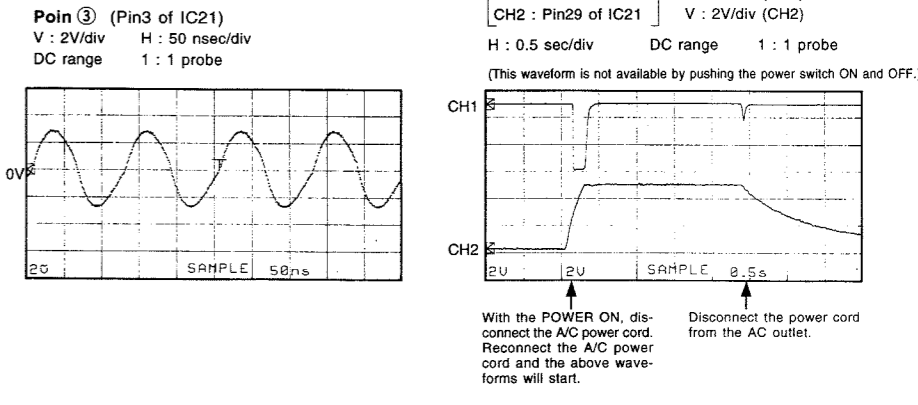
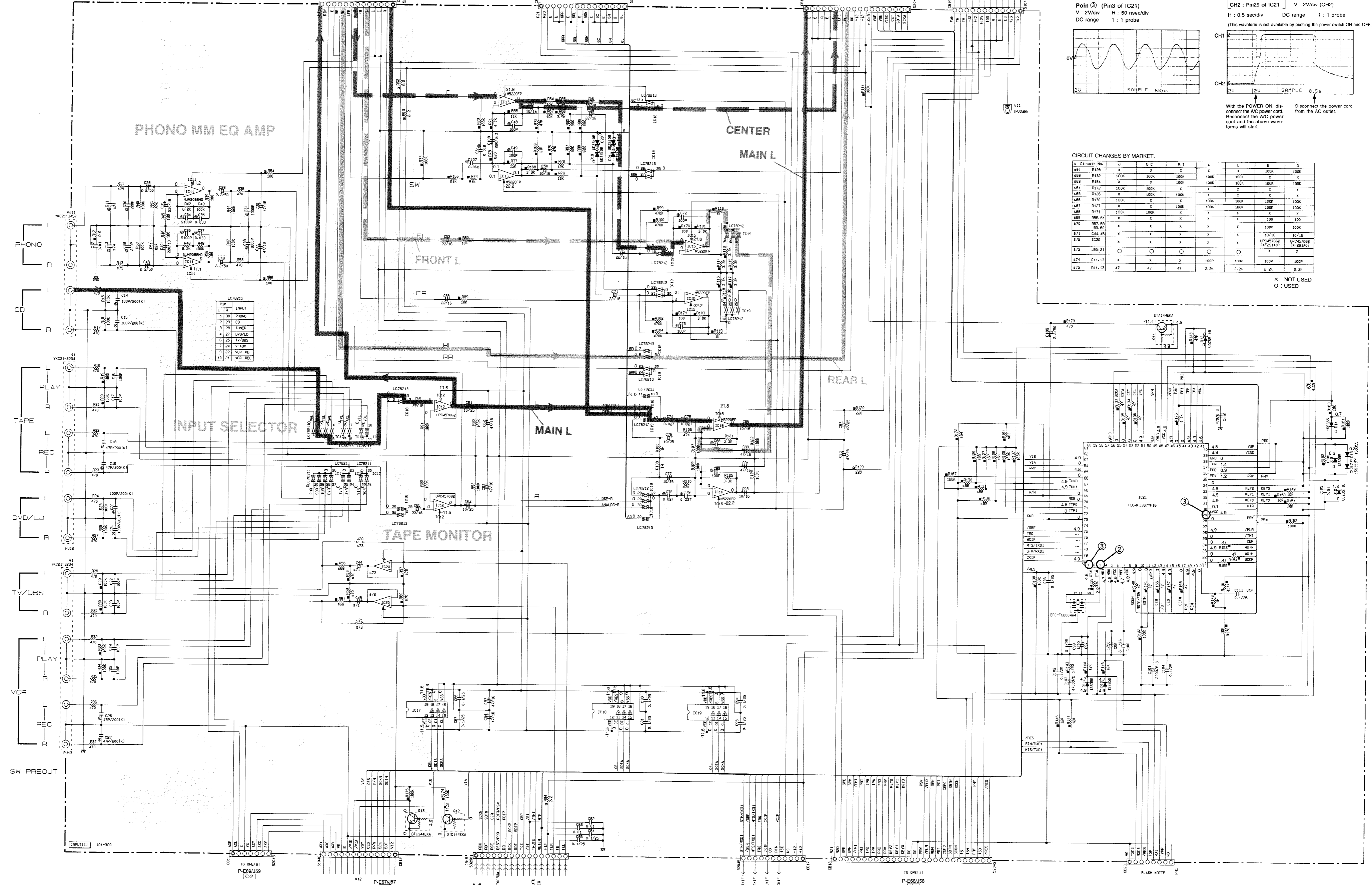


- Other ICs
 ● IC3 : YM3436DK → See page E-27/J-23
 ● IC4 : YSS918-F → See page E-28/J-24
 ● IC14 : LC87F5164 → See page E-31/J-27

* All voltage are measured with a 10MΩ/DC electric volt meter.
 * Components having special characteristics are marked Δ and must be replaced with parts having specifications equal to those originally installed.
 * Schematic diagram is subject to change without notice.

● 電圧は、内部抵抗 10MΩ の電圧計で測定したものです。
 ● 小印のある部品は、安全性確保部品を示しています。部品の交換が必要な場合、パーツリストに記載されている部品を使用してください。
 ● 本回路図は標準回路図です。改良のため予告なく変更することがございます。

SCHEMATIC DIAGRAM (INPUT) / 総回路図



CIRCUIT CHANGES BY MARKET.

S	C170111	NO.	V	U.C	R.1	A	L	B	D
561	R128	X	X	X	X	X	X	X	X
562	R132	100K	100K	100K	100K	100K	100K	100K	100K
563	R134	X	X	100K	100K	100K	100K	100K	100K
564	R132	100K	100K	100K	100K	100K	100K	100K	100K
565	R126	X	100K	100K	X	X	X	X	X
566	R130	100K	X	X	100K	100K	100K	100K	100K
567	R127	X	X	100K	100K	100K	100K	100K	100K
568	R131	100K	100K	100K	X	X	X	X	X
569	R56-61	X	X	X	X	X	X	100	100
570	R57-58	X	X	X	X	X	X	100K	100K
571	C44-45	X	X	X	X	X	X	10/16	10/16
572	IC20	X	X	X	X	X	X	UPC45702Z (1472914D)	UPC45702Z (1472914D)
573	J80-21	○	○	○	○	○	○	X	X
574	C11-13	X	X	X	100P	100P	100P	100P	100P
575	R11-13	47	47	47	2.2K	2.2K	2.2K	2.2K	2.2K

X : NOT USED
 O : USED

RESISTOR	REMARKS	PARTS NAME	CAPACITOR	REMARKS	PARTS NAME
NO MARK	RES	CARBON FILM RESISTOR (P=5)	NO MARK	ELC	ELECTROLYTIC CAPACITOR
□	RES	CARBON FILM RESISTOR (P=10)	□	ELC	TANTALUM CAPACITOR
△	RES	METAL OXIDE FILM RESISTOR	NO MARK	CMC	CERAMIC CAPACITOR
▲	RES	METAL FILM RESISTOR	○	CMC	CERAMIC TUBULAR CAPACITOR
⊠	RES	METAL PATE RESISTOR	⊙	CMC	POLYESTER FILM CAPACITOR
■	RES	FIRE PROOF CARBON FILM RESISTOR	⊕	CMC	POLYSTYRENE FILM CAPACITOR
□	RES	CEMENT WOUND RESISTOR	○	CMC	MICA CAPACITOR
⊙	RES	SEMI VARIABLE RESISTOR	⊙	CMC	POLYPROPYLENE FILM CAPACITOR
■	RES	CHIP RESISTOR	●	CMC	SEMICONDUCTIVE CERAMIC CAPACITOR

NOTICE (mode 1)
 (J)..... JAPANESE
 (U)..... U.S.A.
 (C)..... CANADIAN
 (R)..... GENERAL
 (A)..... AUSTRALIAN
 (B)..... BRITISH
 (T)..... CHINA
 (L)..... SINGAPORE

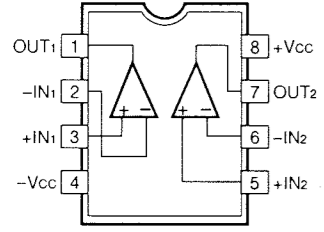
P-E72U62K(L,U,C,A,L,R,T models)
 P-E73 (B,G models)
 P-E68U56 (B-8)

* All voltage are measured with a 10MΩ/DC electric volt meter.
 * Components having special characteristics are marked **▲** and must be replaced with parts having specifications equal to those originally installed.
 * Schematic diagram is subject to change without notice.

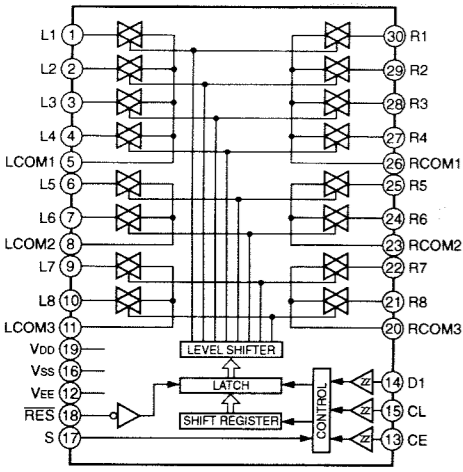
● 電圧は、内部抵抗 10MΩ の電圧計で測定したものです。
 ● ▲印のある部品は、安全性確保部品を示しています。部品の交換が必要な場合、パーツリストに記載されている部品を使用してください。
 ● 本回路図は標準回路図です。改良のため予告なく変更することがございます。

SCHEMATIC DIAGRAM (INPUT) / 総回路図

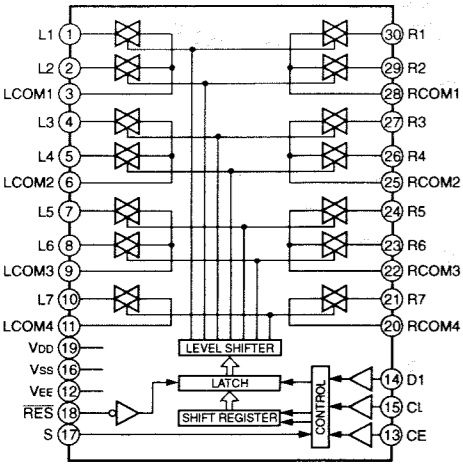
IC11 : NJM2068MD
IC12 : μPC4570G2
IC13, 15, 16 : MS220FP
 Dual OP Amp



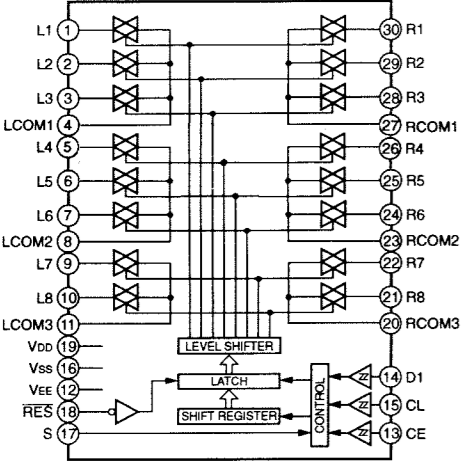
IC17 : LC78211
 Analog Function Switch



IC18 : LC78213
 Analog Function Switch



IC19 : LC78212
 Analog Function Switch



RESISTOR

REMARKS	PARTS NAME
NO MARK	CARBON FILM RESISTOR (P=5)
□	CARBON FILM RESISTOR (P=10)
△	METAL OXIDE FILM RESISTOR
▲	METAL FILM RESISTOR
■	METAL PLATE RESISTOR
■	FIRE PROOF CARBON FILM RESISTOR
■	CEMENT MOLDED RESISTOR
■	SEMI VARIABLE RESISTOR
■	CHIP RESISTOR

NOTICE (mode1)
 (J)..... JAPANESE
 (U)..... U.S.A
 (C)..... CANADIAN
 (R)..... GENERAL
 (A)..... AUSTRALIAN
 (B)..... BRITISH
 (G)..... EUROPEAN
 (T)..... CHINA
 (L)..... SINGAPORE

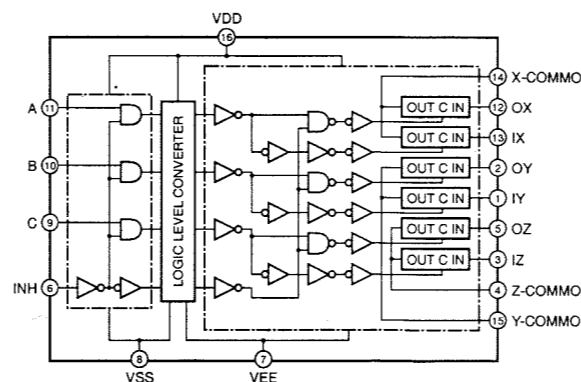
Interchangeable Parts at Manufacture-Stage

Mark	Reference Parts Number	Parts Name
K1	D402-409-B21	MS3104 1SS133
		1SS176
K4		
K5		
K6		
K7		
K8	IC401	HD14053BP T14053BP WPD4053BP
K9	Q401-407-B21	2SC1740S1R/S1 2SC28031E1/T 2SC33141 (Q/R/S)
K10	G414	2SA4933S1 (Q/R) 2SA11551E1/P1 2SA13091A1 (Q/R/S1)
K11	Q402	2SC28781A1/B1 2SD19191S1/T1

CAPACITOR

REMARKS	PARTS NAME
NO MARK	ELECTROLYTIC CAPACITOR
□	TANTALUM CAPACITOR
NO MARK	CERAMIC CAPACITOR
○	CERAMIC TUBULAR CAPACITOR
○	POLYESTER FILM CAPACITOR
○	POLYSTYRENE FILM CAPACITOR
○	MICA CAPACITOR
○	POLYPROPYLENE FILM CAPACITOR
●	SEMICONDUCTIVE CERAMIC CAPACITOR

IC401 : HD14053BP
 Triple 2-Channel Multiplexer/
 Demultiplexer

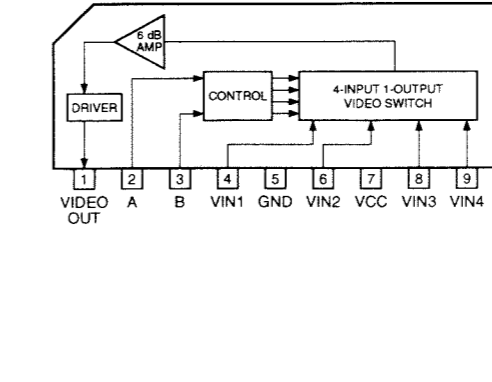


CONTROL INPUTS

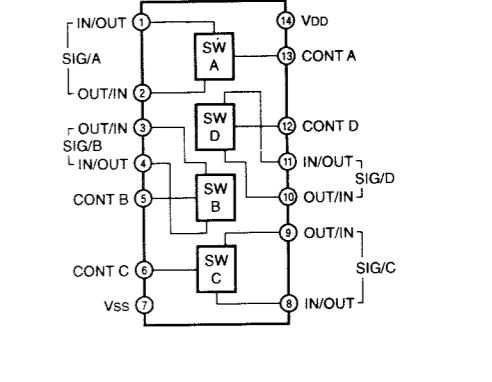
INHIBIT (Pin 6)	C (Pin 9)	B (Pin 10)	A (Pin 11)	OX (Pin 12), OY (Pin 2), OZ (Pin 5)	IX (Pin 13), IY (Pin 1), IZ (Pin 3)
L	L	L	L	OX, OY, OZ	OX, OY, OZ
L	L	L	H	OX, IY, OZ	OX, OY, OZ
L	L	H	L	OX, IY, OZ	OX, IY, OZ
L	H	L	L	OX, OY, IZ	OX, IY, IZ
L	H	L	H	OX, OY, IZ	OX, IY, IZ
L	H	H	L	OX, OY, IZ	OX, IY, IZ
L	H	H	H	OX, OY, IZ	OX, IY, IZ
H	H	H	H	OX, OY, IZ	OX, IY, IZ

* Don't Care

IC402~404 : LA7956
 Video Switch



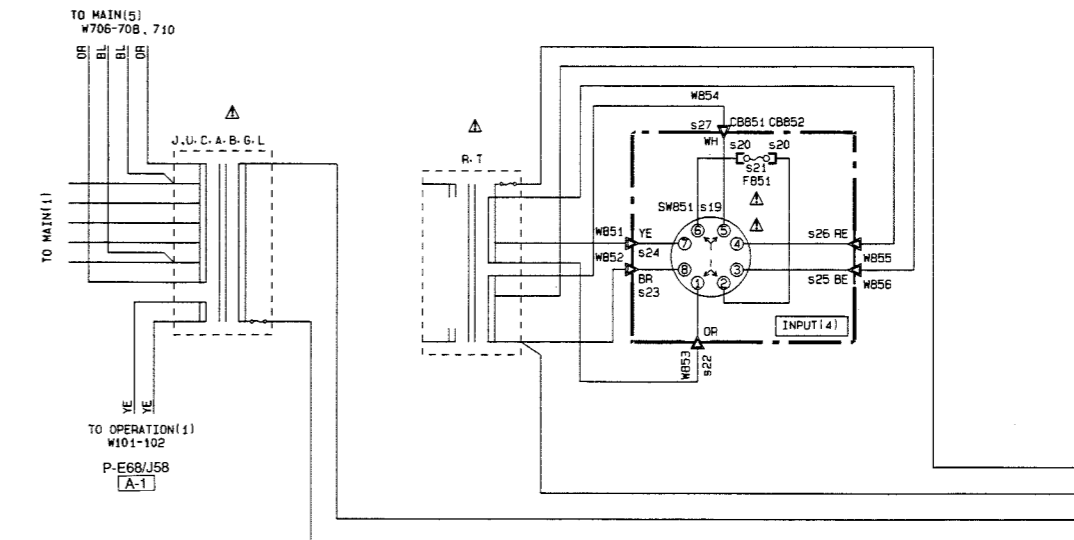
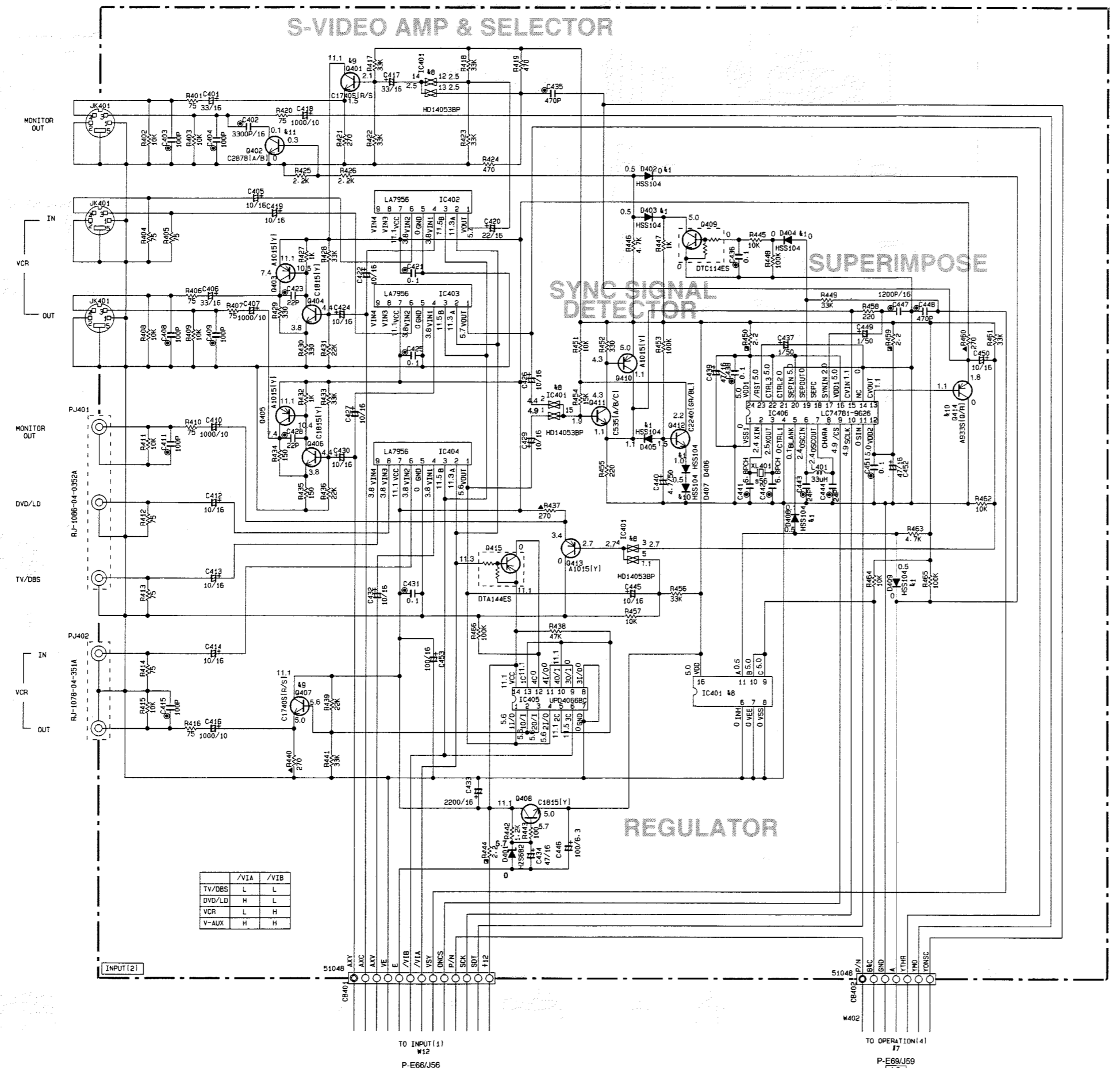
IC405 : μPD4066BC
 Quad Analog Switch/Multiplexer



CIRCUIT CHANGES BY MARKET.

5	Circuit No.	J	U-C	R-T	A	L	B	G
1	0B22	X	X	D239E1/J/K	X	X	X	X
2	0B21	0	0	X	0	0	0	0
3	0B21	X	X	100P	X	X	X	X
4	0B23	X	X	MS12B2	X	X	X	X
5	RB22-823	X	X	5.6k	X	X	X	X
6	CB25-828	X	X	100/35	X	X	X	X
7	RB24	X	X	1/2P2-2M	X	X	X	X
8	T621	XS42 XS597	XCB83 XC485	XT331 XT341	XG284 XG486	XG284 XG486	XG284 XG486	XG284 XG486
9	TE821	VU54310	VU54310	VU54310	VT91500	VU54340	VU54330	VU54340
10	JR22	0	0	0	0	0	0	X
11	CB827-828	VP2050	VP2050	VP2050	X	X	X	X
12	FB23	BA125V	BA125V	BA125V	X	X	X	X
13	CB822-825	X	X	X	X	X	X	VP2050
14	FB21	X	X	X	X	X	X	T2-5AL250V
15	CB824-826	X	X	X	VP2050	VP2050	VP2050	VP2050
16	FB22	X	X	X	T4-0AL250V	T4-0AL250V	T4-0AL250V	T4-0AL250V
17	CB23	330/25	470/25	330/25	330/25	330/25	330/25	330/25
18								
19	MS51	X	X	VA96180	X	X	X	X
20	CB851-852	X	X	VP2050	X	X	X	X
21	FB51	X	X	T4-0AL250V	X	X	X	X
22	MS53	X	X	MD3240	X	X	X	X
23	MS52	X	X	MD1240	X	X	X	X
24	MS51	X	X	MD4240	X	X	X	X
25	MS56	X	X	MD6240	X	X	X	X
26	MS55	X	X	MD2240	X	X	X	X
27	MS54	X	X	MD8240	X	X	X	X
28	VR21	V271230 V007340 V285040	V269530 V007340 V285040	V271230 V007340 V285040	V271230 V007340 V285040	V271230 V007340 V285040	V271230 V007340 V285040	V271230 V007340 V285040
29								
30								
31								
32								
33								
34								
35								
36	XL401	VY9490	VY9490	VY9490	VY9490	VY9490	VY9490	VY9490

X : NOT USED
 O : USED

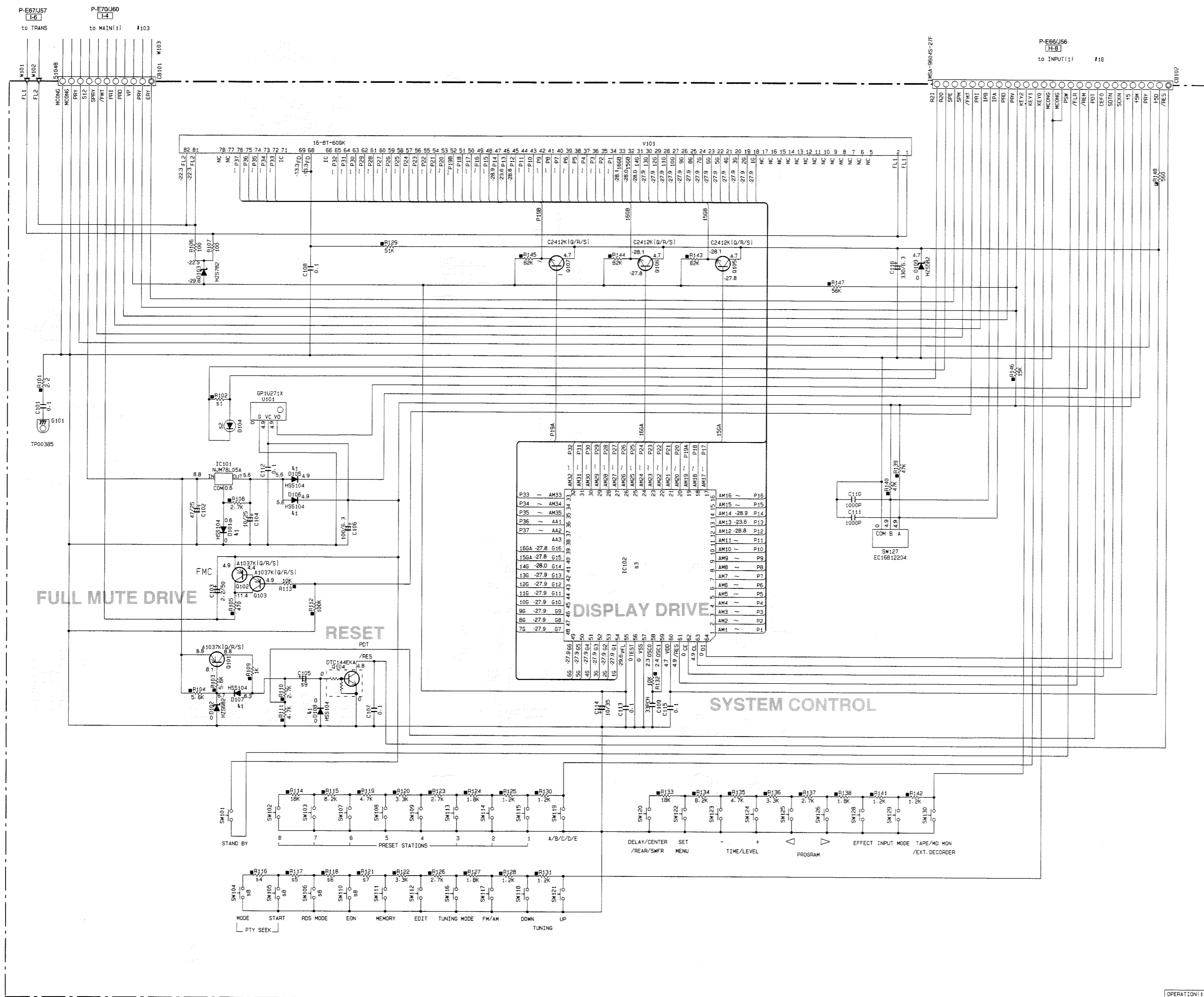


Other ICs
 ● IC21 : HD64F3337YE16 → See page E-36/J-30
 ● IC406 : LC74781-9626 → See page E-35/J-29

* All voltage are measured with a 10MΩ/DC electric volt meter.
 * Components having special characteristics are marked with a triangle and must be replaced with parts having specifications equal to those originally installed.
 * Schematic diagram is subject to change without notice.

● 電圧は、内部抵抗 10MΩ の電圧計で測定したものです。
 ● 三角形の印のある部品は、安全性確保部品を示しています。部品の交換が必要な場合、パーツリストに記載されている部品を使用してください。
 ● 本回路図は標準回路図です。改良のため予告なく変更することがございます。

SCHEMATIC DIAGRAM (OPERATION) / 総回路図



CAPACITOR

REMARKS	PARTS NAME	
NO MARK	ELECTROLYTIC CAPACITOR	1
⊗	TANTALUM CAPACITOR	
NO MARK	CERAMIC CAPACITOR	1
⊙	CERAMIC TUBULAR CAPACITOR	
⊖	POLYESTER FILM CAPACITOR	
○	POLYSTYRENE FILM CAPACITOR	
○	MICA CAPACITOR	
⊖	POLYPROPYLENE FILM CAPACITOR	
⊖	SEMICONDUCTIVE CERAMIC CAPACITOR	

RESISTOR

REMARKS	PARTS NAME	
NO MARK	CARBON FILM RESISTOR [P=5]	
△	CARBON FILM RESISTOR [P=10]	
⊖	METAL OXIDE FILM RESISTOR	
⊖	METAL FILM RESISTOR	
⊖	METAL PLATE RESISTOR	
⊖	FIRE PROOF CARBON FILM RESISTOR	
⊖	CEMENT MOLDED RESISTOR	
⊖	SEMI VARIABLE RESISTOR	
⊖	CHIP RESISTOR	

NOTICE (model)

(J)..... JAPANESE
 (U)..... U.S.A.
 (C)..... CANADIAN
 (R)..... GENERAL
 (A)..... AUSTRALIAN
 (B)..... BRITISH
 (G)..... EUROPEAN
 (T)..... CHINA
 (L)..... SINGAPORE

Interchangeable Parts at Manufacture-Stage

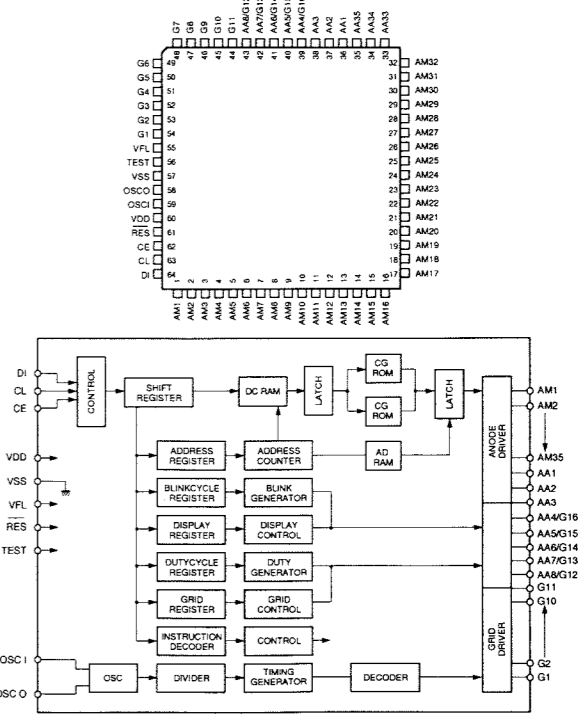
Mark	Reference Parts Number	Parts Name
41	D101-D105-108	HSS104 1SS13 1SS176
42		
43		

CIRCUIT CHANGES BY MARKET.

MODEL NO.	RX-V795M/DSP-R795M/RX-V795RDSM/R-V1105M	U.C.A	R.T	B.G
5 Circuit No.	×	10K	×	×
1 R102	×	10K	×	×
2 D104	×	V62510	×	×
3 IC102	XR18840	XR18840	XR18840	XY16640
4 R116	×	×	×	47K
5 R117	×	×	×	18K
6 R118	×	×	×	6.2K
7 R121	×	×	×	4.7K
8 SW104-106-110	×	×	×	V639290
9 C103	1/50	1/50	2.2/50	1/50

× : NOT USED

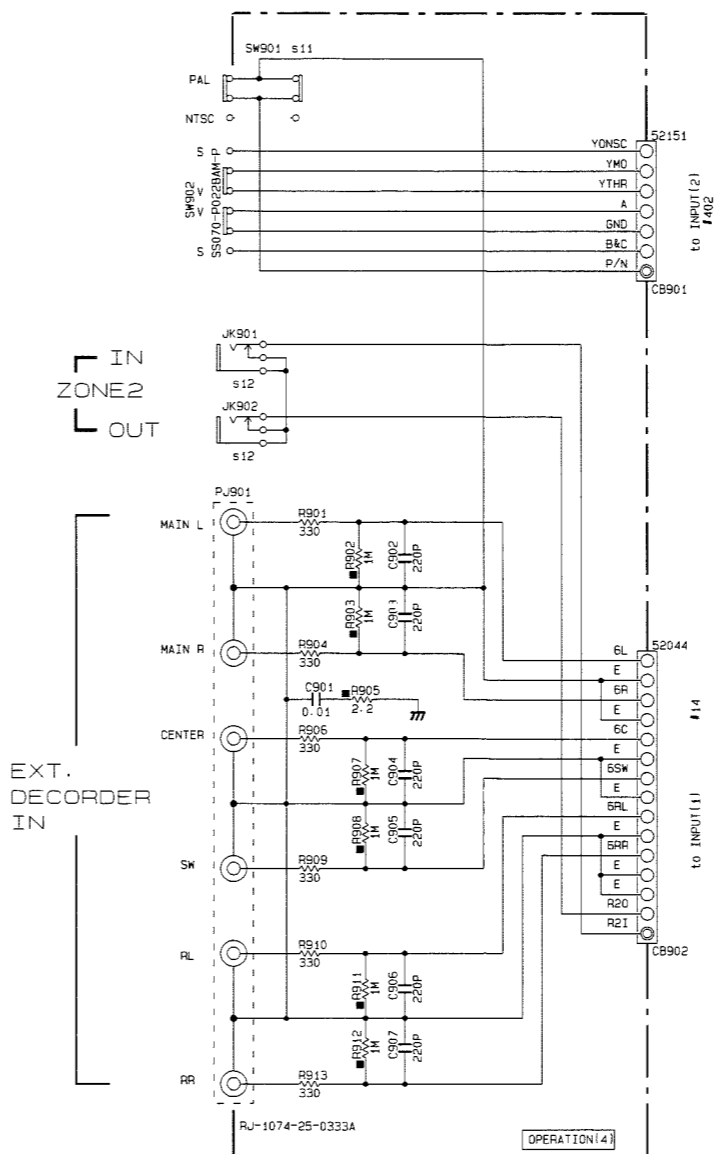
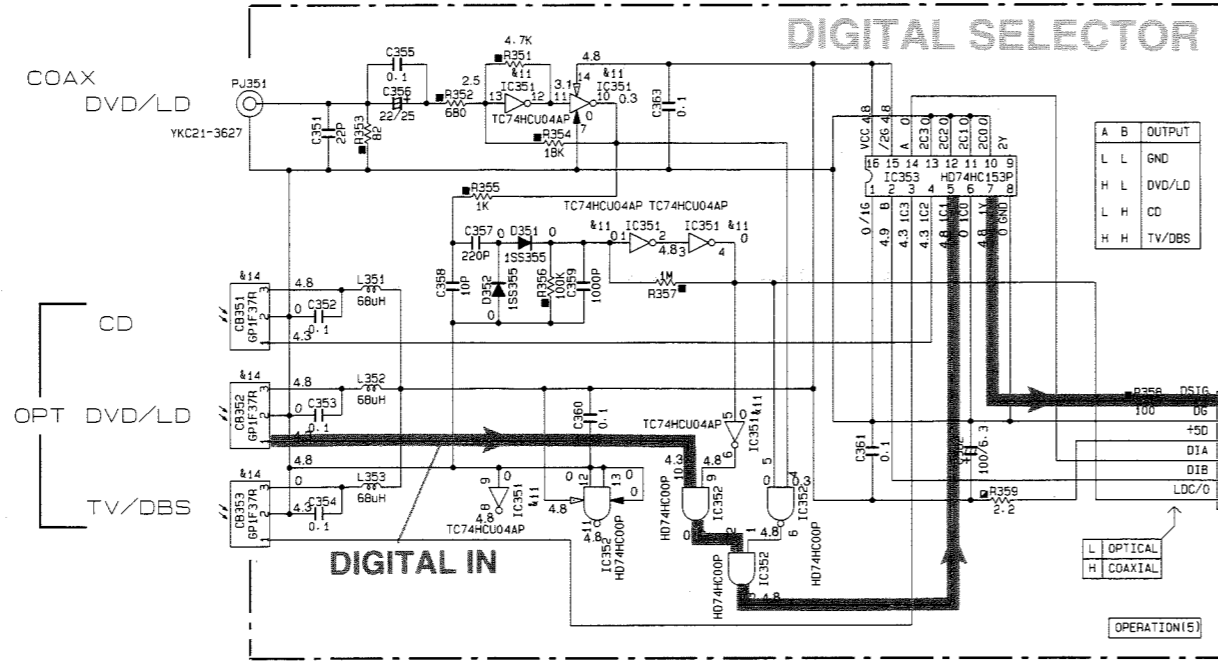
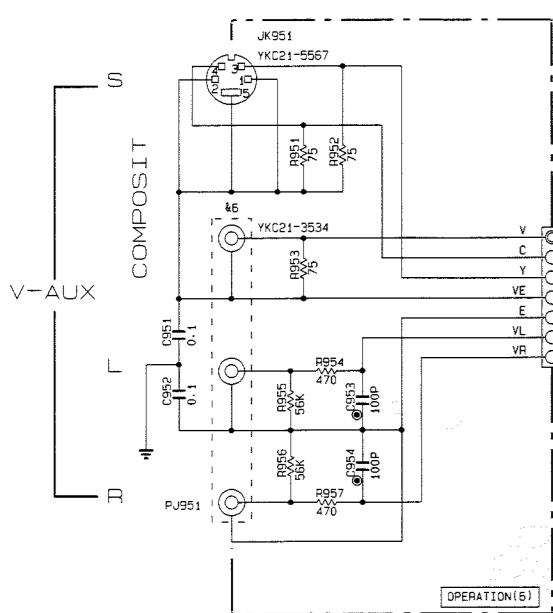
IC102 : LC75710NE
FL Display Driver



* All voltage are measured with a 10MΩ/DC electric volt meter.
 * Components having special characteristics are marked △ and must be replaced with parts having specifications equal to those originally installed.
 * Schematic diagram is subject to change without notice.

● 電圧は、内部抵抗 10MΩ の電圧計で測定したものです。
 ● △印のある部品は、安全性確保部品を示しています。部品の交換が必要な場合、パーツリストに記載されている部品を使用してください。
 ● 本回路図は標準回路図です。改良のため予告なく変更することがございます。

SCHEMATIC DIAGRAM (OPERATION) / 総回路図



CAPACITOR

REMARKS	PARTS NAME
NO MARK	ELECTROLYTIC CAPACITOR
⊗	TANTALUM CAPACITOR
⊙	CERAMIC CAPACITOR
○	POLYESTER FILM CAPACITOR
◇	POLYSTYRENE FILM CAPACITOR
□	MICA CAPACITOR
⊕	POLYPROPYLENE FILM CAPACITOR
●	SEMICONDUCTIVE CERAMIC CAPACITOR

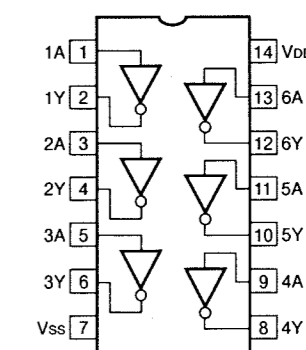
RESISTOR

REMARKS	PARTS NAME
NO MARK	CARBON FILM RESISTOR (P=5)
□	CARBON FILM RESISTOR (P=10)
△	METAL OXIDE FILM RESISTOR
▲	METAL FILM RESISTOR
▴	METAL PLATE RESISTOR
▾	FIRE-PROOF CARBON FILM RESISTOR
■	CEMENT MOLDED RESISTOR
⊞	SEMI VARIABLE RESISTOR
⊠	CHIP RESISTOR

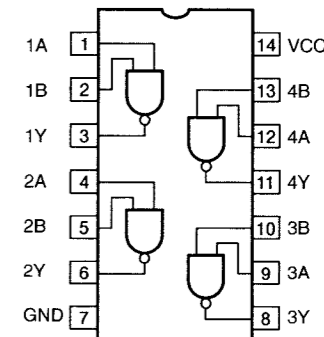
NOTICE (model)

(J)..... JAPANESE
 (U)..... U.S.A.
 (C)..... CANADIAN
 (R)..... GENERAL
 (A)..... AUSTRALIAN
 (B)..... BRITISH
 (G)..... EUROPEAN
 (T)..... CHINA
 (L)..... SINGAPORE

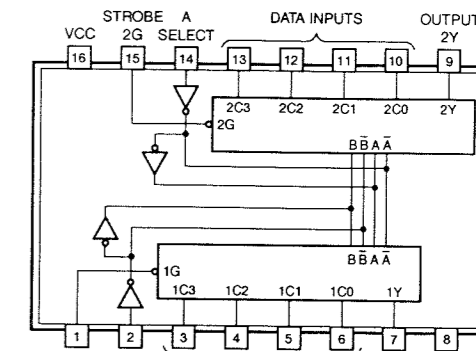
IC351 : TC74HC04AP
Hex Inverters



IC352 : HD74HC00P
Quadruple 2-input Positive NAND Gates



IC353 : HD74HC153P
Dual 4 to 1 Data Selectors



INPUTS		OUTPUT
SELECT	STROBE	Y
B A	G	
X X	H	L
L L	L	C0
H L	L	C1
L L	L	C2
H H	L	C3

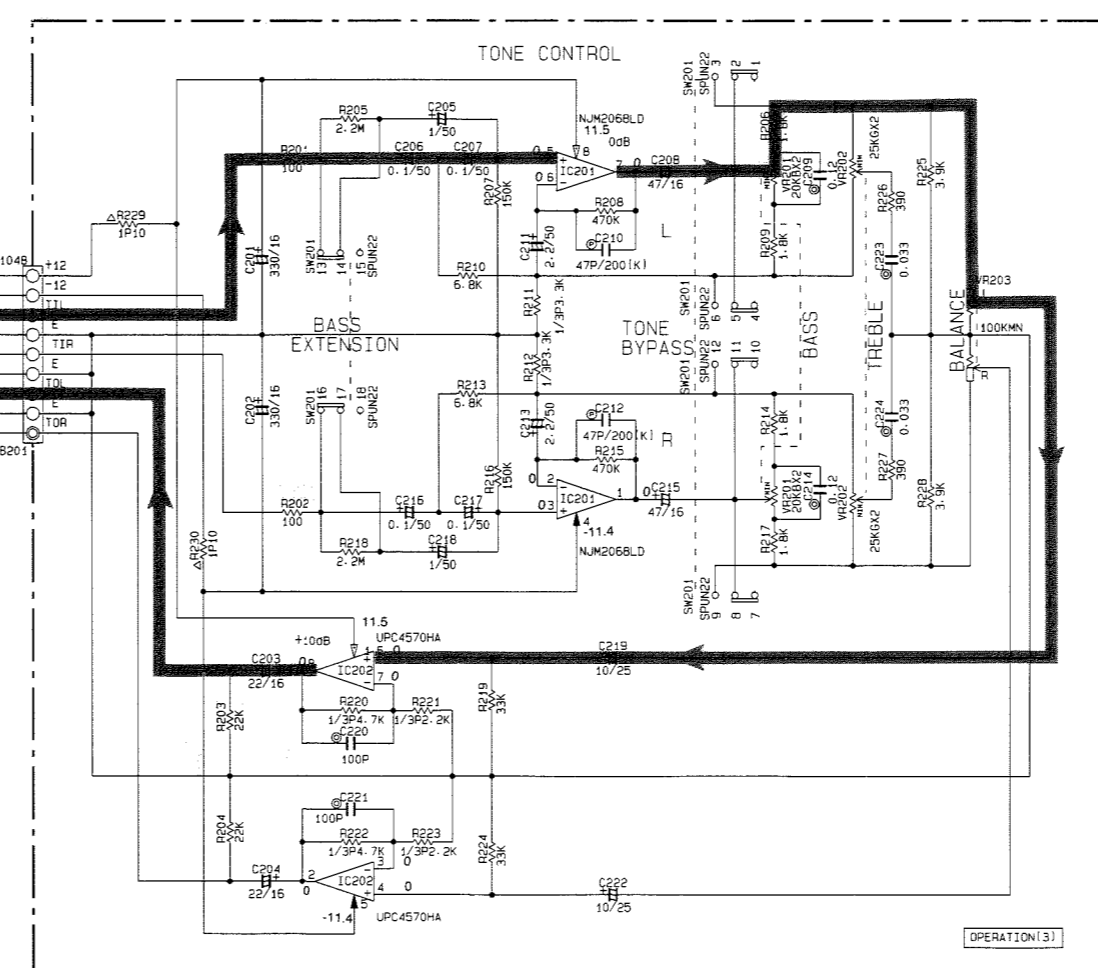
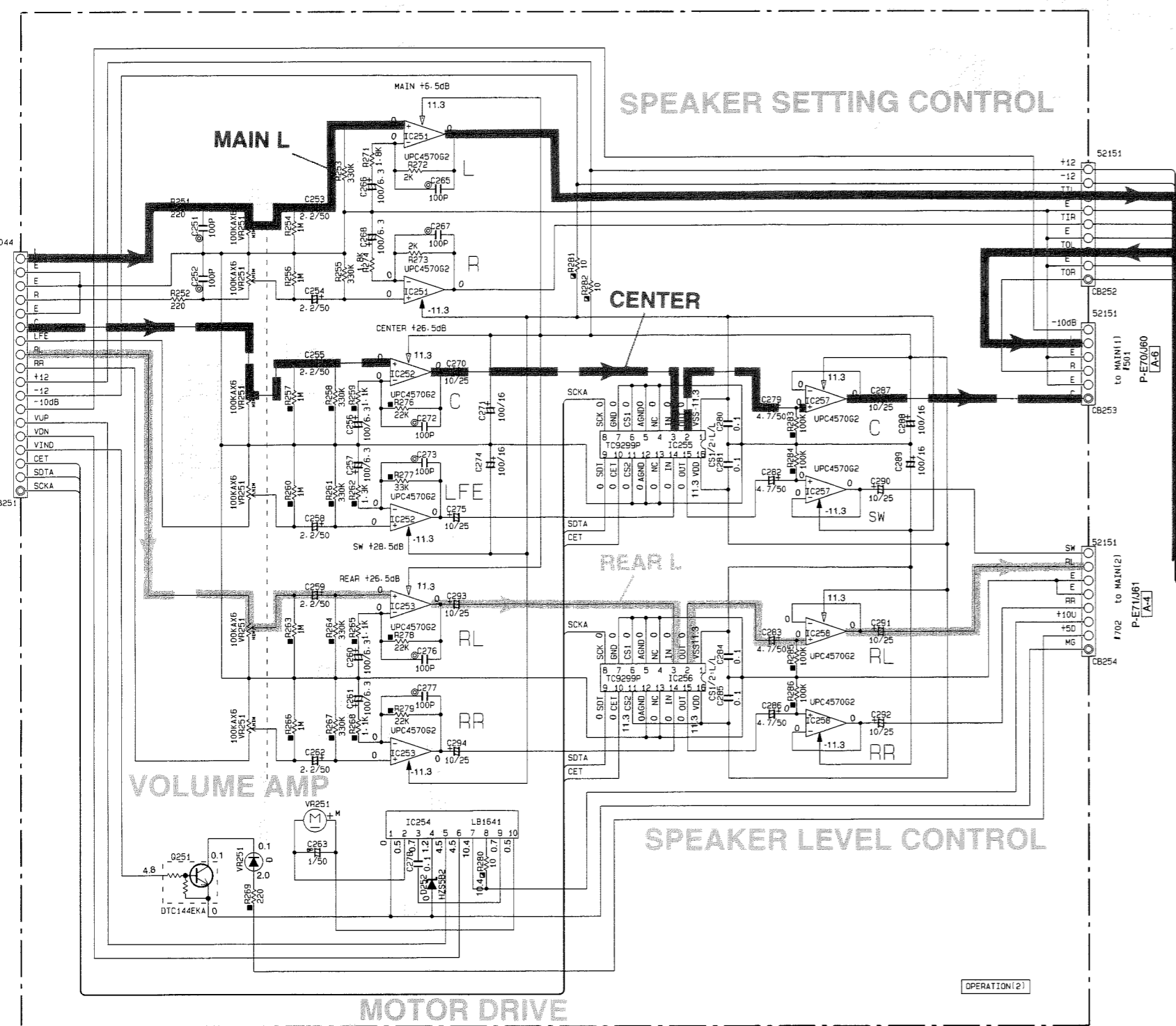
Interchangeable Parts at Manufacture-Stage

Mark	Reference Parts Number	Parts Name
411	IC351	TC74HC04AP
412		SN74HC04N
413		MC74HC04N
414	CB351-353	GP8F375
415		TRK175A

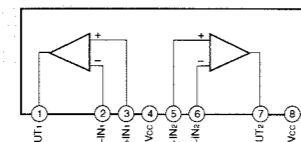
CIRCUIT CHANGES BY MARKET

MODEL No.	RX-V795M/OSP-R795M/RX-V795RDSM/R-V1105M
1	○
2	○
3	○
4	○
5	○

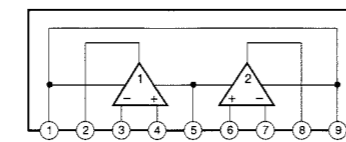
X : NOT USED



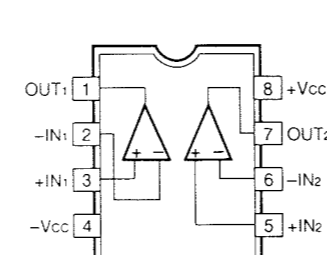
IC201 : NJM2068LD
Dual OP Amp



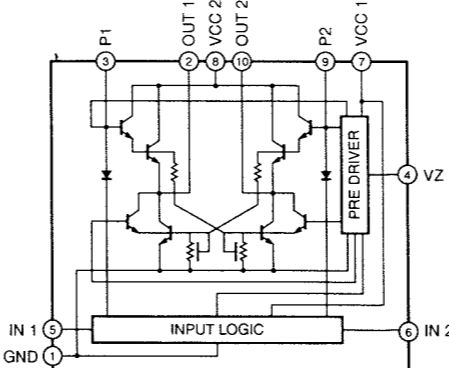
IC202 : μPC4570HA
Dual OP-Amp



IC251~253, 257, 258 : μPC4570G2
Dual OP-Amp



IC254 : LB1641
Motor Driver



* All voltage are measured with a 10MΩ/DC electric volt meter.
 * Components having special characteristics are marked with a triangle and must be replaced with parts having specifications equal to those originally installed.
 * Schematic diagram is subject to change without notice.

● 電圧は、内部抵抗 10MΩ の電圧計で測定したものです。
 ● 水、印のある部品は、安全性確保部品を示しています。部品の交換が必要な場合、パーツリストに記載されている部品を使用してください。
 ● 本回路図は標準回路図です。改良のため予告なく変更することがございます。

SCHEMATIC DIAGRAM (MAIN) / 総回路図

Each voltage given here represents that in the top side of IMPEDANCE SELECTOR, but the one in the parentheses () is that in the bottom side.

RESISTOR

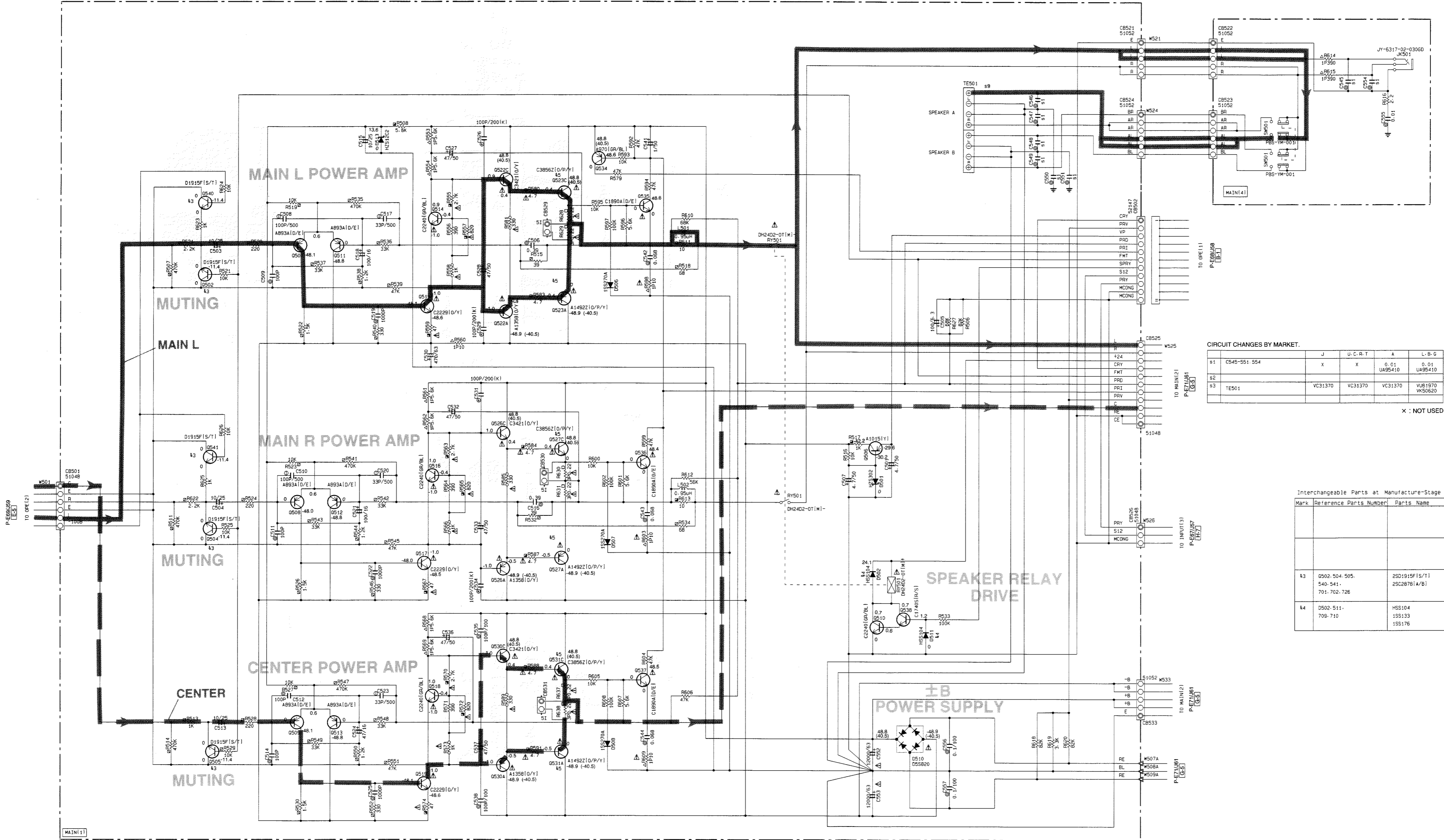
REMARKS	PARTS NAME
NO MARK	CARBON FILM RESISTOR (P=5)
□	CARBON FILM RESISTOR (P=10)
△	METAL OXIDE FILM RESISTOR
▲	METAL FILM RESISTOR
⊙	METAL PLATE RESISTOR
■	FIRE PROOF CARBON FILM RESISTOR
⊖	CEMENT MOLDED RESISTOR
⊕	SEMI VARIABLE RESISTOR
■	CHIP RESISTOR

CAPACITOR

REMARKS	PARTS NAME
NO MARK	ELECTROLYTIC CAPACITOR
⊙	TANTALUM CAPACITOR
NO MARK	CERAMIC CAPACITOR
⊙	CERAMIC TUBULAR CAPACITOR
⊙	POLYESTER FILM CAPACITOR
○	POLYSTYRENE FILM CAPACITOR
○	MICA CAPACITOR
⊙	POLYPROPYLENE FILM CAPACITOR
⊙	SEMICONDUCTIVE CERAMIC CAPACITOR
⊙	POLYPHENYLENE SULFIDE FILM CAPACITOR

NOTICE (model)

(J)..... JAPANESE
 (U)..... U.S.A.
 (C)..... CANADIAN
 (R)..... GENERAL
 (A)..... AUSTRALIAN
 (B)..... BRITISH
 (G)..... EUROPEAN
 (T)..... CHINA
 (L)..... SINGAPORE



CIRCUIT CHANGES BY MARKET.

	J	U.C.R.T	A	L-B-G
R1	C545-551-554	X	X	0.01 UA95410 0.01 UA95410
R2				
R3	TE501	VC31370	VC31370	VU61970 VKS5620

x : NOT USED

Interchangeable Parts at Manufacture-Stage

Mark	Reference Parts Number	Parts Name
k3	0502-504-505. 540-541- 701-702-726	2SD1915F(S/T) 2SC2878(A/B)
k4	0502-511- 709-710	HSS104 ISS133 ISS176

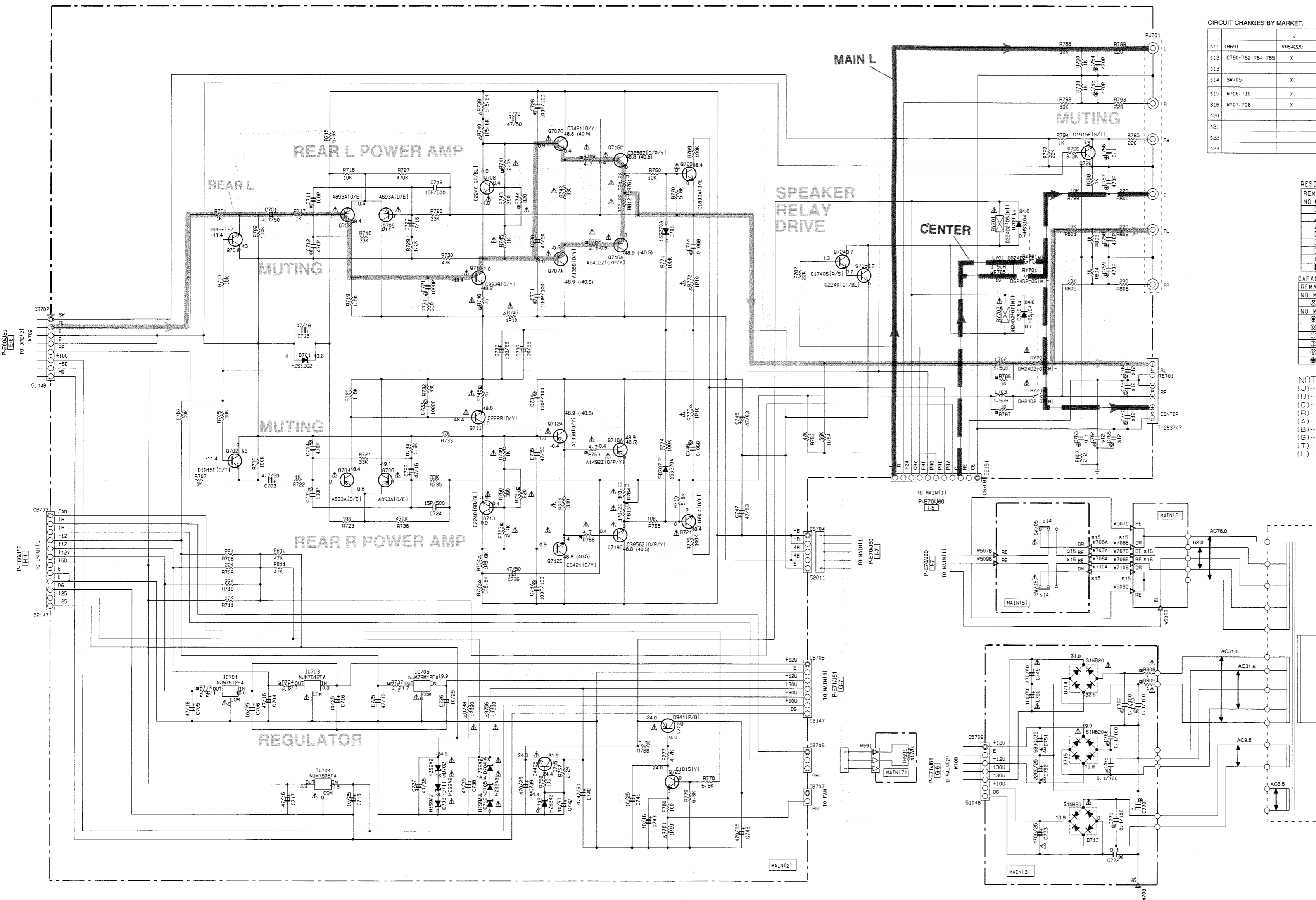
All voltage are measured with a 10MΩ/DC electric volt meter.
 Components having special characteristics are marked Δ and must be replaced with parts having specifications equal to those originally installed.
 Schematic diagram is subject to change without notice.

●電圧は、内部抵抗 10MΩ の電圧計で測定したものです。
 ● Δ 印のある部品は、安全性確保部品を示しています。部品の交換が必要な場合、パーツリストに記載されている部品を使用してください。
 ●本回路図は標準回路図です。改良のため予告なく変更することがございます。

MAIN

SCHEMATIC DIAGRAM (MAIN) / 総回路図

Each voltage given here represents that in the top side of IMPEDANCE SELECTOR, but the one in the parentheses () is that in the bottom side.



CIRCUIT CHANGES BY MARKET.

	J	U.C.R.T	A	L.B.G
S11	TH691	VMB4220	VMB4230	VMB4230
S12	C760-762, 764, 765	X	X	0.01
S13				0.01
S14	SW705	X	SL138-022-AMC1 V236110	SL138-022-AMC1 V236110
S15	W706, 710	X	MH23015	MH23015
S16	W707, 708	X	MH26015	MH26015
S20				
S21				
S22				
S23				

X : NOT USED

RESISTOR

REMARKS	PARTS NAME
NO MARK	CARBON FILM RESISTOR (P=5)
□	CARBON FILM RESISTOR (P=10)
△	METAL OXIDE FILM RESISTOR
▲	METAL FILM RESISTOR
■	FIRE PROOF CARBON FILM RESISTOR
□	CEMENT MOLDED RESISTOR
⊗	SEMI VARIABLE RESISTOR
●	CHIP RESISTOR

CAPACITOR

REMARKS	PARTS NAME
NO MARK	ELECTROLYTIC CAPACITOR
⊗	TANTALUM CAPACITOR
NO MARK	CERAMIC CAPACITOR
●	CERAMIC TUBULAR CAPACITOR
⊙	POLYESTER FILM CAPACITOR
○	POLYSTYRENE FILM CAPACITOR
⊖	MICA CAPACITOR
⊕	POLYPROPYLENE FILM CAPACITOR
●	SEMICONDUCTIVE CERAMIC CAPACITOR

NOTICE (model)
 (J)..... JAPANESE
 (U)..... U.S.A
 (C)..... CANADIAN
 (R)..... GENERAL
 (A)..... AUSTRALIAN
 (B)..... BRITISH
 (G)..... EUROPEAN
 (T)..... CHINA
 (L)..... SINGAPORE

* All voltage are measured with a 10MΩ/DC electric volt meter.
 * Components having special characteristics are marked with a triangle and must be replaced with parts having specifications equal to those originally installed.
 * Schematic diagram is subject to change without notice.

● 電圧は、内部抵抗 10MΩ の電圧計で測定したものです。
 ● 小印のある部品は、安全性確保部品を示しています。部品の交換が必要な場合、パーツリストに記載されている部品を使用してください。
 ● 本回路図は標準回路図です。改良のため予告なく変更することがございます。

SCHEMATIC DIAGRAM (TUNER) / 総回路図

Each voltage given here represents that in the FM (98.1MHz, STEREO) reception mode but the one in the parentheses () is that in the AM (1080kHz, MAN'L) reception mode.

REMARKS	PARTS NAME	MARK
NO MARK	ELECTROLYTIC CAPACITOR	□
⊗	TANTALUM CAPACITOR	□
NO MARK	CERAMIC CAPACITOR	□
○	CERAMIC TUBULAR CAPACITOR	□
○	POLYESTER FILM CAPACITOR	□
○	POLYSTYRENE FILM CAPACITOR	□
○	MICA CAPACITOR	□
○	POLYPROPYLENE FILM CAPACITOR	□
○	SEMICONDUCTIVE CERAMIC CAPACITOR	□

REMARKS	PARTS NAME	MARK
NO MARK	CARBON FILM RESISTOR (P=5)	□
□	CARBON FILM RESISTOR (P=10)	□
△	METAL OXIDE FILM RESISTOR	□
△	METAL FILM RESISTOR	□
□	METAL PLATE RESISTOR	□
□	FIRE PROOF CARBON FILM RESISTOR	□
□	CEMENT MOLDED RESISTOR	□
□	SEMI VARIABLE RESISTOR	□
□	CHIP RESISTOR	□

NOTICE (model)
 (J)..... JAPANESE
 (U)..... U.S.A
 (C)..... CANADIAN
 (R)..... GENERAL
 (A)..... AUSTRALIAN
 (B)..... BRITISH
 (G)..... EUROPEAN
 (T)..... CHINA
 (L)..... SINGAPORE

Mark	Reference Parts Number	Parts Name
k1	D1-2	HSS104 1SS133 1SS176

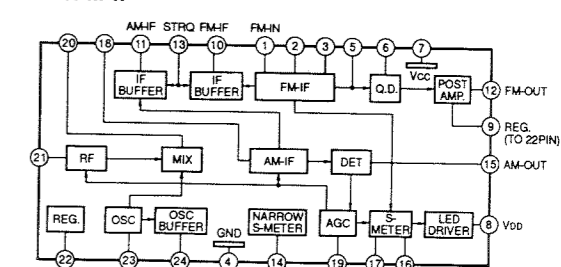
CIRCUIT CHANGES BY MARKET.

s	J V291850	U.C V251860	R.T V261870	A.B.G.L V271870
1	PK1	V290900	V290910	V271670
2	R48			4.7K
3	T3			XYA2 VT488B0
4	J41			
5	C49	2200P UA95322	2200P UA95322	120P UA95212
6	R50	22K	22K	1K
7	C36-37	680P UA95268	1000P UA95310	1000P UA95227
8	R36-37	75K	75K	180K
9	SK1			VS60260
10	J42			
11				
12	R55-57-58			270K
13	R60			180K
14	R34	10K	10K	27K

X : NOT USED
 O : USED

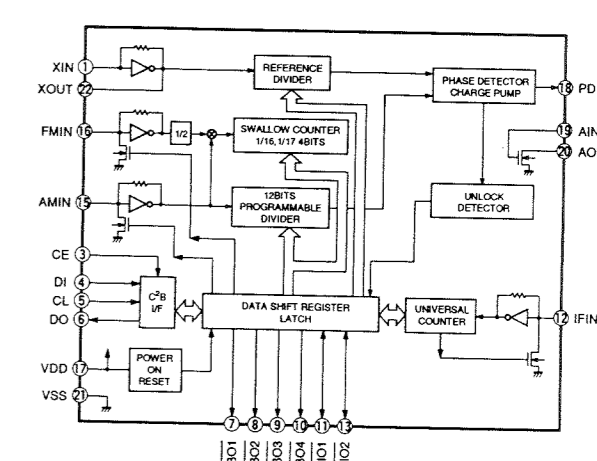
IC1 : LA1266

AM/FM IF



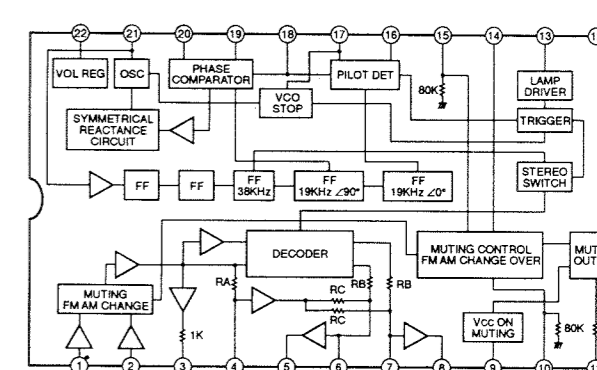
IC2 : LC72131

PLL Controller



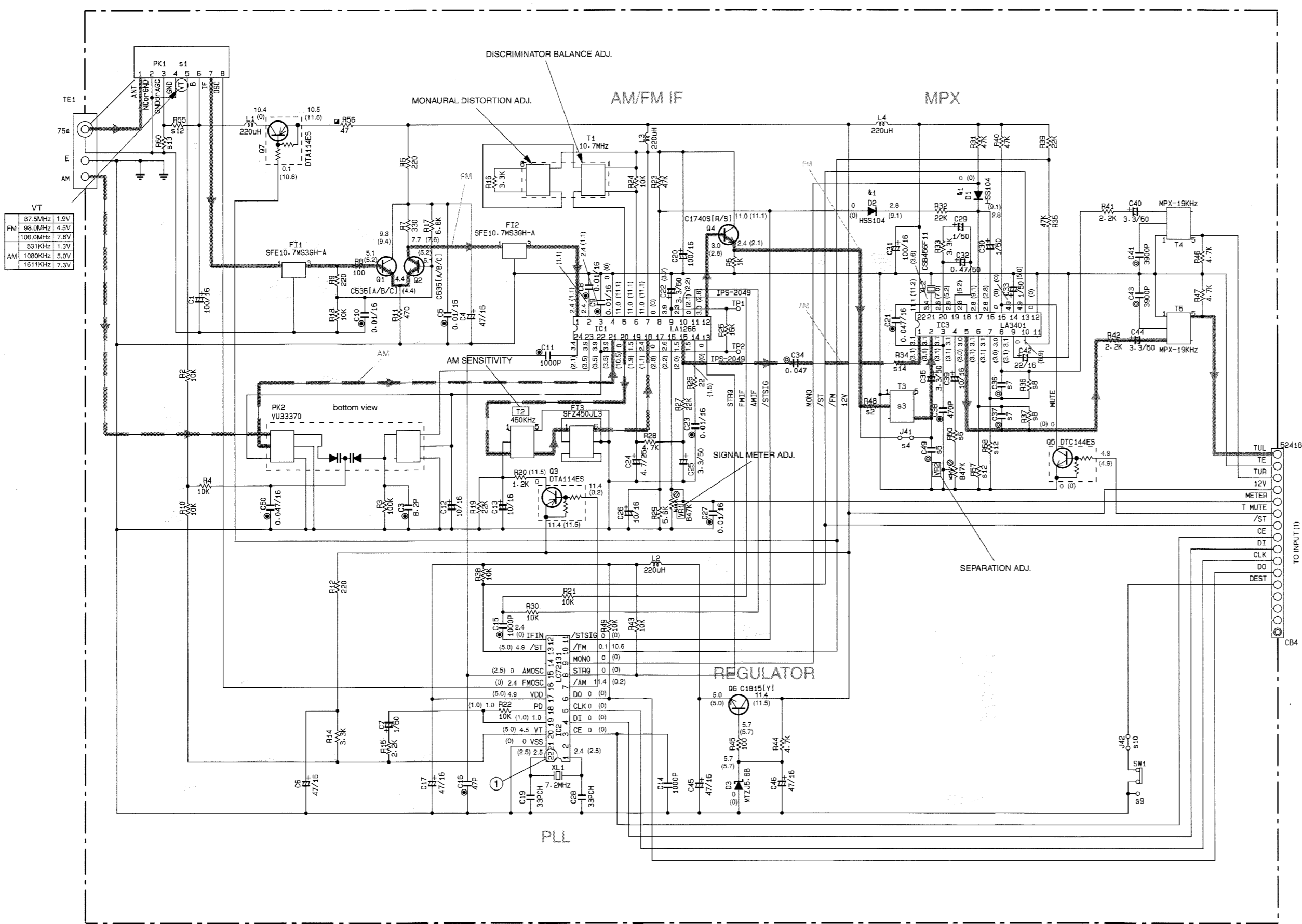
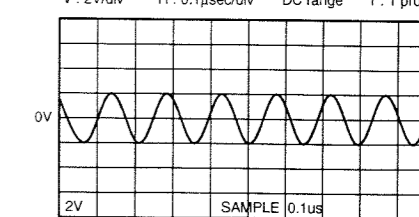
IC3 : LA6401

MPX

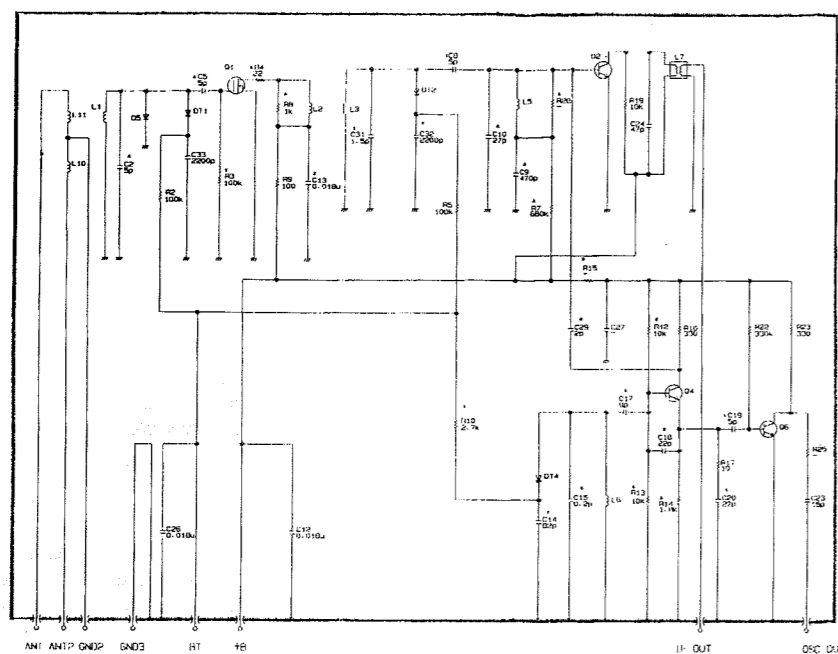


Point ① (Pin22 of IC2)

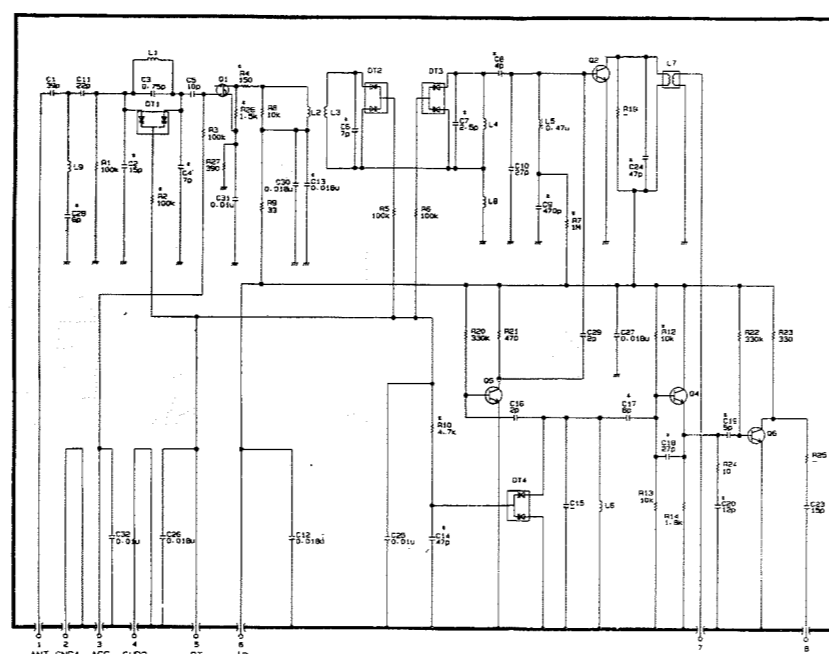
V : 2V/div H : 0.1µsec/div DC range 1 : 1 probe



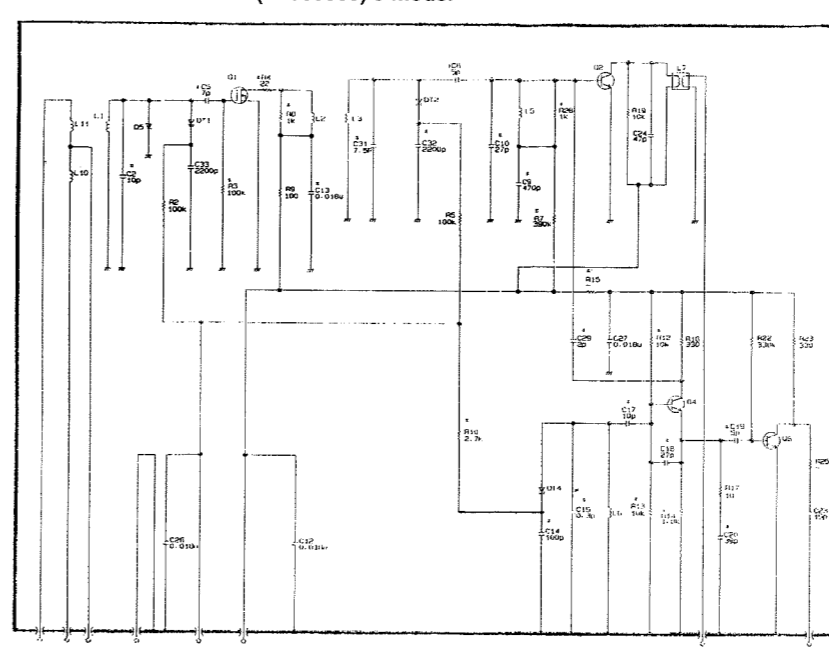
● PK1 : ENV-172C8G1R (V2909100) U, C, R, T models



● PK1 : ENV-172A4G1 (V2716700) A, L models



● PK1 : ENV-142C2G1R (V2909000) J model



* All voltage are measured with a 10MΩ/DC electric volt meter.
 * Components having special characteristics are marked Δ and must be replaced with parts having specifications equal to those originally installed.
 * Schematic diagram is subject to change without notice.

- 電圧は、内部抵抗 10MΩ の電圧計で測定したものです。
- Δ 印のある部品は、安全性確保部品を示しています。部品の交換が必要な場合、パーツリストに記載されている部品を使用してください。
- 本回路図は標準回路図です。改良のため予告なく変更することがございます。

SCHEMATIC DIAGRAM (TUNER) / 総回路図

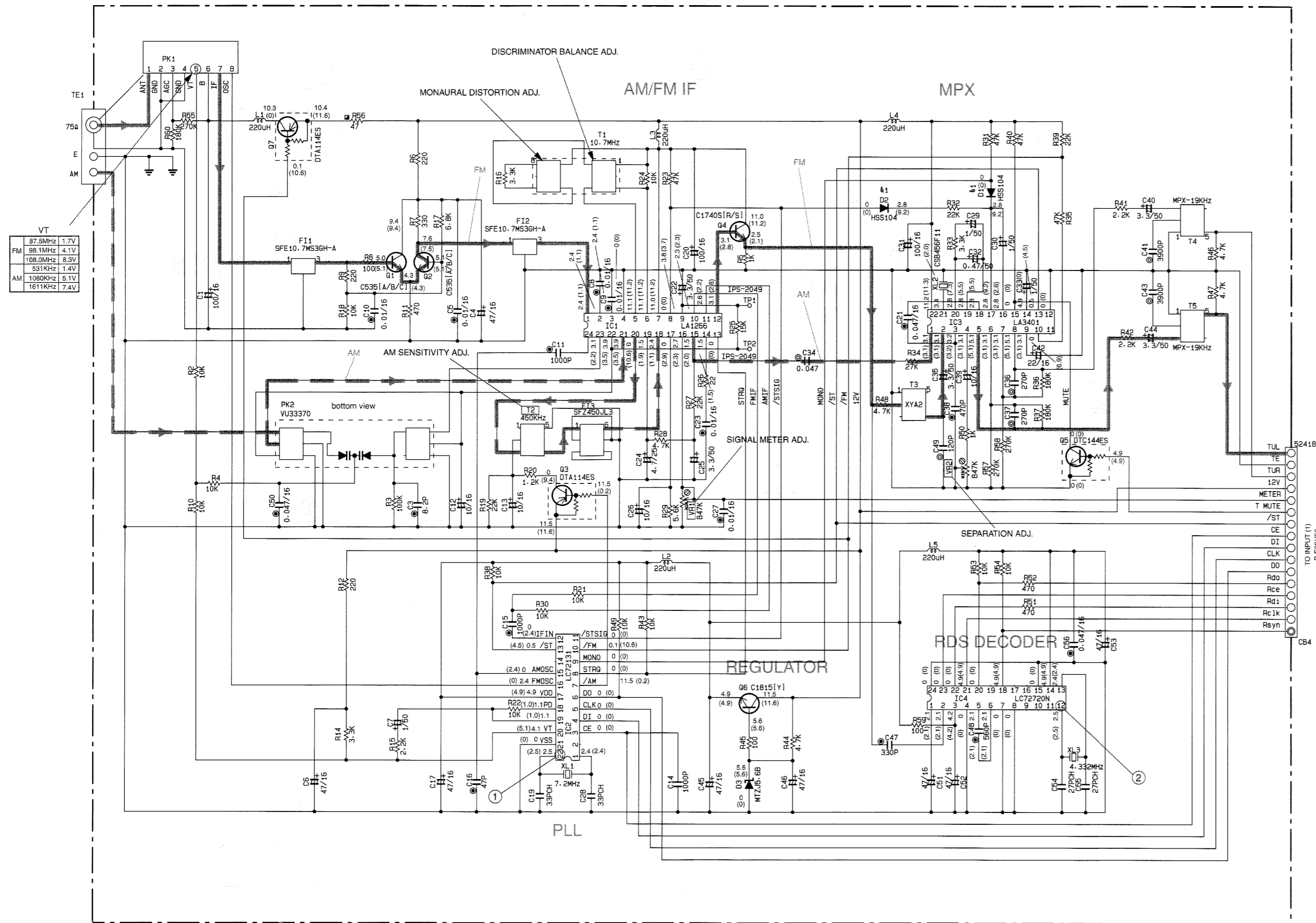
Each voltage given here represents that in the FM (98.1MHz, STEREO) reception mode but the one in the parentheses () is that in the AM (1080kHz, MAN'L) reception mode.

CAPACITOR	
REMARKS	PARTS NAME
NO MARK	ELECTROLYTIC CAPACITOR
⊗	TANTALUM CAPACITOR
NO MARK	CERAMIC CAPACITOR
⊙	CERAMIC TUBULAR CAPACITOR
⊖	POLYESTER FILM CAPACITOR
○	POLYSTYRENE FILM CAPACITOR
□	MICA CAPACITOR
⊕	POLYPROPYLENE FILM CAPACITOR
●	SEMICONDUCTIVE CERAMIC CAPACITOR

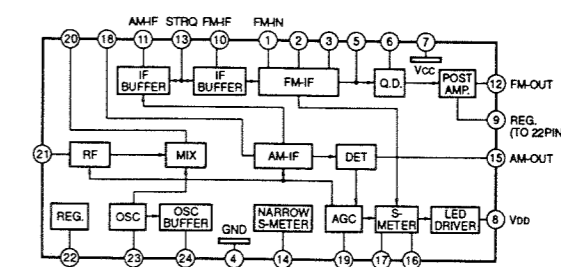
RESISTOR	
REMARKS	PARTS NAME
NO MARK	CARBON FILM RESISTOR (P=5)
⊠	CARBON FILM RESISTOR (P=10)
△	METAL OXIDE FILM RESISTOR
⊡	METAL FILM RESISTOR
⊞	METAL PLATE RESISTOR
⊞	FIRE PROOF CARBON FILM RESISTOR
⊞	CEMENT MOLDED RESISTOR
⊞	SEMI VARIABLE RESISTOR
■	CHIP RESISTOR

NOTICE (model)
 (J)..... JAPANESE
 (U)..... U.S.A
 (C)..... CANADIAN
 (R)..... GENERAL
 (A)..... AUSTRALIAN
 (B)..... BRITISH
 (G)..... EUROPEAN
 (T)..... CHINA
 (L)..... SINGAPORE

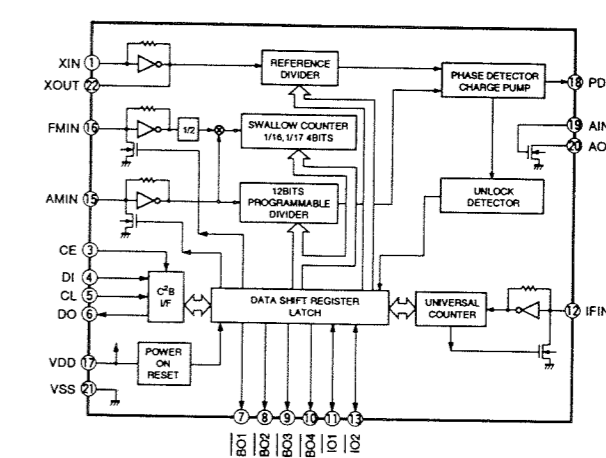
Interchangeable Parts at Manufacture-Stage		
Mark	Reference Parts Number	Parts Name
⊠	D1-2	HSS104
		1S5133
		1S5176



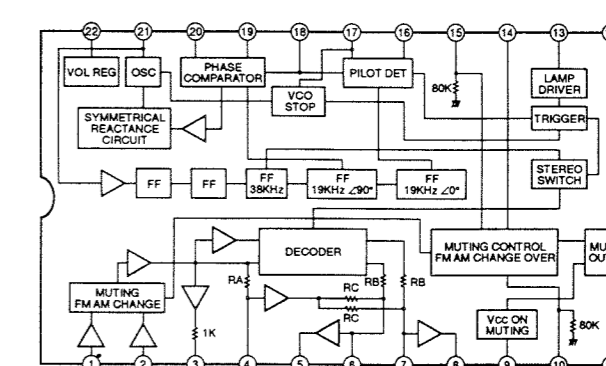
IC1 : LA1266
AM/FM IF



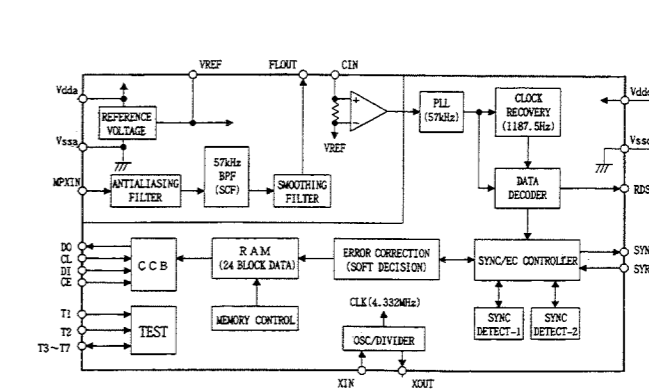
IC2 : LC72131
PLL Controller



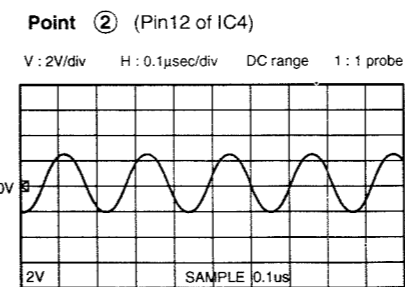
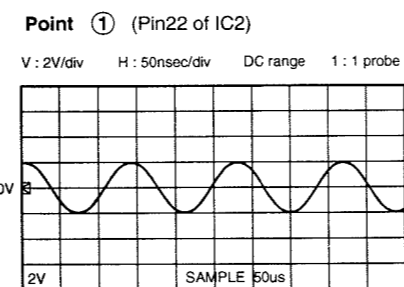
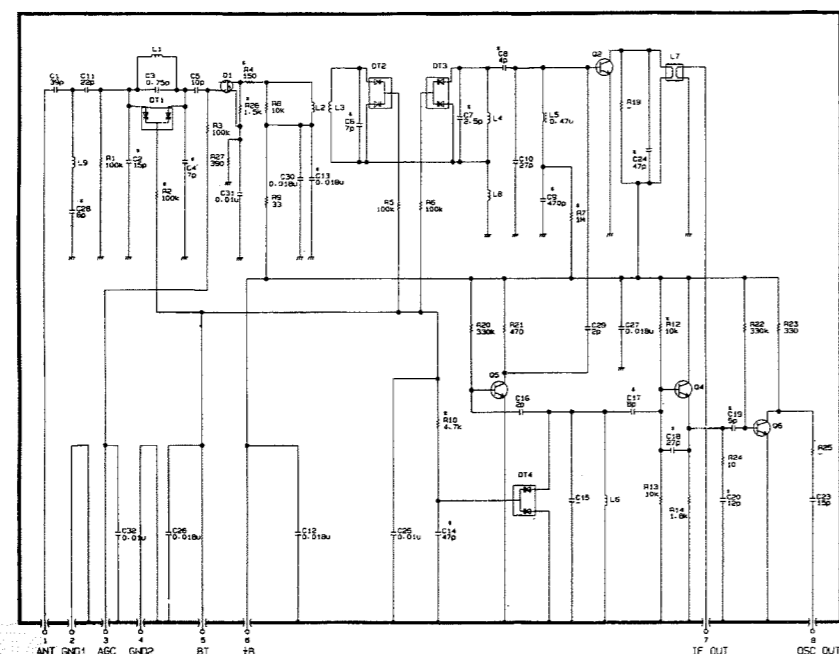
IC3 : LA6401
MPX



IC4 : LC72720N
RDS Decoder & Controller



PK1 : ENV-172A4G1 (V2716700)



* All voltage are measured with a 10MΩ/DC electric volt meter.
 * Components having special characteristics are marked Δ and must be replaced with parts having specifications equal to those originally installed.
 * Schematic diagram is subject to change without notice.

● 電圧は、内部抵抗 10MΩ の電圧計で測定したものです。
 ● Δ 印のある部品は、安全性確保部品を示しています。部品の交換が必要な場合、パーツリストに記載されている部品を使用してください。
 ● 本回路図は標準回路図です。改良のため予告なく変更することがございます。

PARTS LIST

■ ELECTRICAL PARTS

■ WARNING

Components having special characteristics are marked Δ and must be replaced with parts having specifications equal to those originally installed.

- Carbon resistors (1/6W or 1/4W) are not included in the ELECTRICAL PARTS List. For the part Nos. of the carbon resistors refer to page 87.
- Chip resistors are listed on page 86.

ABBREVIATIONS IN THIS LIST ARE AS FOLLOWS :

C.A.EL.CHP	: CHIP ALUMI. ELECTROLYTIC CAP	L.EMIT	: LIGHT EMITTING MODULE
C.CE	: CERAMIC CAP	LED.DSPLY	: LED DISPLAY
C.CE.ARRAY	: CERAMIC CAP ARRAY	LED.INFRD	: LED, INFRARED
C.CE.CHP	: CHIP CERAMIC CAP	MODUL.RF	: MODULATOR, RF
C.CE.ML	: MULTILAYER CERAMIC CAP	PHOT.CPL	: PHOTO COUPLER
C.CE.M.CHP	: CHIP MULTILAYER CERAMIC CAP	PHOT.INTR	: PHOTO INTERRUPTER
C.CE.SAFTY	: RECOGNIZED CERAMIC CAP	PHOT.RFLCT	: PHOTO REFLECTOR
C.CE.TUBLR	: CERAMIC TUBULAR CAP	PIN.TEST	: PIN, TEST POINT
C.CE.SMI	: SEMI CONDUCTIVE CERAMIC CAP	PLST.RIVET	: PLASTIC RIVET
C.EL	: ELECTROLYTIC CAP	R.ARRAY	: RESISTOR ARRAY
C.MICA	: MICA CAP	R.CAR	: CARBON RESISTOR
C.ML.FLM	: MULTILAYER FILM CAP	R.CAR.CHP	: CHIP RESISTOR
C.MP	: METALLIZED PAPER CAP	R.CAR.FP	: FLAME PROOF CARBON RESISTOR
C.MYLAR	: MYLAR FILM CAP	R.FUS	: FUSABLE RESISTOR
C.MYLAR.ML	: MULTILAYER MYLAR FILM CAP	R.MTL.CHP	: CHIP METAL FILM RESISTOR
C.PAPER	: PAPER CAPACITOR	R.MTL.FLM	: METAL FILM RESISTOR
C.PLS	: POLYSTYRENE FILM CAP	R.MTL.OXD	: METAL OXIDE FILM RESISTOR
C.POL	: POLYESTER FILM CAP	R.MTL.PLAT	: METAL PLATE RESISTOR
C.POLY	: POLYETHYLENE FILM CAP	RSNR.CE	: CERAMIC RESONATOR
C.PP	: POLYPROPYLENE FILM CAP	RSNR.CRYS	: CRYSTAL RESONATOR
C.TNLT	: TANTALUM CAP	R.TW.CEM	: TWIN CEMENT FIXED RESISTOR
C.TNLT.CHP	: CHIP TANTALUM CAP	R.WW	: WIRE WOUND RESISTOR
C.TRIM	: TRIMMER CAP	SCR.BND.HD	: BIND HEAD B-TITE SCREW
CN	: CONNECTOR	SCR.BW.HD	: BW HEAD TAPPING SCREW
CN.BS.PIN	: CONNECTOR, BASE PIN	SCR.CUP	: CUP TITE SCREW
CN.CANNON	: CONNECTOR, CANNON	SCR.TERM	: SCREW TERMINAL
CN.DIN	: CONNECTOR, DIN	SCR.TR	: SCREW, TRANSISTOR
CN.FLAT	: CONNECTOR, FLAT CABLE	SUPRT.PCB	: SUPPORT, P.C.B.
CN.POST	: CONNECTOR, BASE POST	SURG.PRTCT	: SURGE PROTECTOR
COIL.MX.AM	: COIL, AM MIX	SW.TACT	: TACT SWITCH
COIL.AT.FM	: COIL, FM ANTENNA	SW.LEAF	: LEAF SWITCH
COIL.DT.FM	: COIL, FM DETECT	SW.LEVER	: LEVER SWITCH
COIL.MX.FM	: COIL, FM MIX	SW.MICRO	: MICRO SWITCH
COIL.OUTPT	: OUTPUT COIL	SW.PUSH	: PUSH SWITCH
DIOD.ARRAY	: DIODE ARRAY	SW.RT.ENC	: ROTARY ENCODER
DIODE.BRG	: DIODE BRIDGE	SW.RT.MTR	: ROTARY SWITCH WITH MOTOR
DIODE.CHP	: CHIP DIODE	SW.RT	: ROTARY SWITCH
DIODE.VAR	: VARACTOR DIODE	SW.SLIDE	: SLIDE SWITCH
DIOD.Z.CHP	: CHIP ZENER DIODE	TERM.SP	: SPEAKER TERMINAL
DIODE.ZENR	: ZENER DIODE	TERM.WRAP	: WRAPPING TERMINAL
DSCR.CE	: CERAMIC DISCRIMINATOR	THRMST.CHP	: CHIP THERMISTOR
FER.BEAD	: FERRITE BEADS	TR.CHP	: CHIP TRANSISTOR
FER.CORE	: FERRITE CORE	TR.DGT	: DIGITAL TRANSISTOR
FET.CHP	: CHIP FET	TR.DGT.CHP	: CHIP DIGITAL TRANSISTOR
FL.DSPLY	: FLUORESCENT DISPLAY	TRANS	: TRANSFORMER
FLTR.CE	: CERAMIC FILTER	TRANS.PULS	: PULSE TRANSFORMER
FLTR.COMB	: COMB FILTER MODULE	TRANS.PWR	: POWER TRANSFORMER ASS'y
FLTR.LC.RF	: LC FILTER, EMI	TUNER.AM	: TUNER PACK, AM
GND.MTL	: GROUND PLATE	TUNER.FM	: TUNER PACK, FM
GND.TERM	: GROUND TERMINAL	TUNER.PK	: FRONT-END TUNER PACK
HOLDER.FUS	: FUSE HOLDER	VR	: ROTARY POTENTIOMETER
IC.PRTCT	: IC PROTECTOR	VR.MTR	: POTENTIOMETER WITH MOTOR
JUMPER.CN	: JUMPER CONNECTOR	VR.SW	: POTENTIOMETER WITH ROTARY SW
JUMPER.TST	: JUMPER, TEST POINT	VR.SLIDE	: SLIDE POTENTIOMETER
L.DTCT	: LIGHT DETECTING MODULE	VR.TRIM	: TRIMMER POTENTIOMETER

Note) Those parts marked with "#" are not included in the P.C.B. ass'y.

P.C.B. DSP

Schm Ref.	PART NO.	Description	
*	V3005800	P.C.B.	DSP
CB1	VQ044200	CN.BS.PIN	6P
CB2	VQ044200	CN.BS.PIN	6P
CB3	VQ044500	CN.BS.PIN	11P
CB6	VQ044600	CN.BS.PIN	13P
C1	UB245100	C.CE.M.CHP	0.1uF 25V
C2	UB052100	C.CE.M.CHP	100pF 50V
C3	UB052100	C.CE.M.CHP	100pF 50V
C4	UB245100	C.CE.M.CHP	0.1uF 25V
C5	UB052100	C.CE.M.CHP	100pF 50V
C6	UB052100	C.CE.M.CHP	100pF 50V
C7	UB245100	C.CE.M.CHP	0.1uF 25V
C8	VJ900700	C.CE.M.CHP	33pF 50V
C9	UB013100	C.CE.M.CHP	1000pF 50V
C10	UB245100	C.CE.M.CHP	0.1uF 25V
C11	UR818100	C.EL	100uF 6.3V
C12	UB245100	C.CE.M.CHP	0.1uF 25V
C13	UR818100	C.EL	100uF 6.3V
C14	UB245100	C.CE.M.CHP	0.1uF 25V
C20	VJ900700	C.CE.M.CHP	33pF 50V
C21	UB245100	C.CE.M.CHP	0.1uF 25V
C22	UB013470	C.CE.M.CHP	4700pF 50V
C23	VJ900900	C.CE.M.CHP	39pF 50V
C24	UB245100	C.CE.M.CHP	0.1uF 25V
C25	UB245100	C.CE.M.CHP	0.1uF 25V
C26	UB052100	C.CE.M.CHP	100pF 50V
C27	UB052100	C.CE.M.CHP	100pF 50V
C28	UB052100	C.CE.M.CHP	100pF 50V
C29	UB052100	C.CE.M.CHP	100pF 50V
C30	UB052100	C.CE.M.CHP	100pF 50V
C31	UB052100	C.CE.M.CHP	100pF 50V
C32	UB245100	C.CE.M.CHP	0.1uF 25V
C33	UB245100	C.CE.M.CHP	0.1uF 25V
C34	UB245100	C.CE.M.CHP	0.1uF 25V
C35	UB245100	C.CE.M.CHP	0.1uF 25V
C36	UB245100	C.CE.M.CHP	0.1uF 25V
C44	UB245100	C.CE.M.CHP	0.1uF 25V
C45	UB245100	C.CE.M.CHP	0.1uF 25V
C46	UB245100	C.CE.M.CHP	0.1uF 25V
C47	UR818100	C.EL	100uF 6.3V
C48	VJ900700	C.CE.M.CHP	33pF 50V
C49	UB245100	C.CE.M.CHP	0.1uF 25V
C50	UR818330	C.EL	330uF 6.3V
C51	UB245100	C.CE.M.CHP	0.1uF 25V
C52	UR818330	C.EL	330uF 6.3V
C53	UB245100	C.CE.M.CHP	0.1uF 25V
C54	UB245100	C.CE.M.CHP	0.1uF 25V
C55	UR829100	C.EL	1000uF 10V
C56	UR818330	C.EL	330uF 6.3V
C59	UR829100	C.EL	1000uF 10V
C60	UR818100	C.EL	100uF 6.3V
C61	UB012470	C.CE.M.CHP	470pF 50V
C62	UB245100	C.CE.M.CHP	0.1uF 25V

* New Parts

Schm Ref.	PART NO.	Description	
C63	UB245100	C.CE.M.CHP	0.1uF 25V
C64	UR818330	C.EL	330uF 6.3V
C65	UB245100	C.CE.M.CHP	0.1uF 25V
C66	UR818330	C.EL	330uF 6.3V
C67	UB245100	C.CE.M.CHP	0.1uF 25V
C68	UB245100	C.CE.M.CHP	0.1uF 25V
C69	UR818330	C.EL	330uF 6.3V
C70	UB245100	C.CE.M.CHP	0.1uF 25V
C71	UR818100	C.EL	100uF 6.3V
C72	UR818100	C.EL	100uF 6.3V
C73	UB245100	C.CE.M.CHP	0.1uF 25V
C74	UR847100	C.EL	10uF 25V
C75	UB245100	C.CE.M.CHP	0.1uF 25V
C76	UR818100	C.EL	100uF 6.3V
C77	UB245100	C.CE.M.CHP	0.1uF 25V
C78	UB245100	C.CE.M.CHP	0.1uF 25V
C79	UB245100	C.CE.M.CHP	0.1uF 25V
C81	UR837470	C.EL	47uF 16V
C82	UR818100	C.EL	100uF 6.3V
C83	UB245100	C.CE.M.CHP	0.1uF 25V
C84	UB245100	C.CE.M.CHP	0.1uF 25V
C85	UB245100	C.CE.M.CHP	0.1uF 25V
C86	UB245100	C.CE.M.CHP	0.1uF 25V
C88	UA953150	C.MYLAR	1500pF 50V
C89	UA953150	C.MYLAR	1500pF 50V
C90	UR847100	C.EL	10uF 25V
C91	UR847100	C.EL	10uF 25V
C92	UR847100	C.EL	10uF 25V
C93	UR847100	C.EL	10uF 25V
C94	UR847100	C.EL	10uF 25V
C95	UR847100	C.EL	10uF 25V
C96	UR847100	C.EL	10uF 25V
C97	UR847100	C.EL	10uF 25V
C98	UR847100	C.EL	10uF 25V
C99	UR847100	C.EL	10uF 25V
C100	UA952100	C.MYLAR	100pF 50V
C101	UA952100	C.MYLAR	100pF 50V
C102	UA952100	C.MYLAR	100pF 50V
C103	UA952100	C.MYLAR	100pF 50V
C104	UR847100	C.EL	10uF 25V
C106	UA952100	C.MYLAR	100pF 50V
C107	UA952100	C.MYLAR	100pF 50V
C109	UR847100	C.EL	10uF 25V
C110	UR847100	C.EL	10uF 25V
C111	UB245100	C.CE.M.CHP	0.1uF 25V
C112	UR818470	C.EL	470uF 6.3V
C113	UR828220	C.EL	220uF 10V
C115	UR847100	C.EL	10uF 25V
C116	UR847100	C.EL	10uF 25V
C117	UR847100	C.EL	10uF 25V
C118	UA952100	C.MYLAR	100pF 50V
C119	UA952100	C.MYLAR	100pF 50V
C120	UR847100	C.EL	10uF 25V

* New Parts

P.C.B. DSP & OPERATION

Schm Ref.	PART NO.	Description	
C121	UR847100	C.EL	10uF 25V
C122	UA952100	C.MYLAR	100pF 50V
C123	UR837220	C.EL	22uF 25V
C124	UR847100	C.EL	10uF 25V
C125	UR837220	C.EL	22uF 25V
C126	UA952100	C.MYLAR	100pF 50V
C127	UR847100	C.EL	10uF 25V
C128	UR847100	C.EL	10uF 25V
C129	UR837470	C.EL	47uF 16V
C130	UR837470	C.EL	47uF 16V
C131	UB052100	C.CE.M.CHP	100pF 50V
C132	UB052100	C.CE.M.CHP	100pF 50V
C133	UB052100	C.CE.M.CHP	100pF 50V
C134	UB052100	C.CE.M.CHP	100pF 50V
C135	UB052100	C.CE.M.CHP	100pF 50V
C136	UB052100	C.CE.M.CHP	100pF 50V
C137	UB052100	C.CE.M.CHP	100pF 50V
C138	UB245100	C.CE.M.CHP	0.1uF 25V
C139	UB052100	C.CE.M.CHP	100pF 50V
C140	UB052100	C.CE.M.CHP	100pF 50V
C141	UB052100	C.CE.M.CHP	100pF 50V
D1	VT332900	DIODE	1SS355
D2	VT332900	DIODE	1SS355
D3	VT332900	DIODE	1SS355
D4	VT332900	DIODE	1SS355
D5	VT332900	DIODE	1SS355
D6	VT332900	DIODE	1SS355
D7	VT332900	DIODE	1SS355
D8	VT332900	DIODE	1SS355
D9	VT332900	DIODE	1SS355
D10	VT332900	DIODE	1SS355
D11	VT332900	DIODE	1SS355
D12	VT332900	DIODE	1SS355
D13	VT332900	DIODE	1SS355
D14	VT332900	DIODE	1SS355
D15	VT332900	DIODE	1SS355
D16	VT332900	DIODE	1SS355
D17	VT332900	DIODE	1SS355
G1	VR463400	TERM.GND	D3.5 TP00385
G2	VR463400	TERM.GND	D3.5 TP00385
G3	VR463400	TERM.GND	D3.5 TP00385
G4	VR463400	TERM.GND	D3.5 TP00385
IC1	XR038A00	IC	NJM2904M OP AMP
IC2	XL091A00	IC	HD74HC02FPEL NOR
IC3	XG948E00	IC	YM3436DK
* IC4	XV304A00	IC	YSS918-F
IC5	XV457A00	IC	M5M51288BKJ-20LTEL
IC6	XU722A00	IC	AK4526
IC7	XR361A00	IC	AK4320-VM-E1
IC8	XF291A00	IC	uPC4570G2
IC9	XF291A00	IC	uPC4570G2
IC10	XF291A00	IC	uPC4570G2
IC11	XF291A00	IC	uPC4570G2

* New Parts

Schm Ref.	PART NO.	Description	
IC13	XF291A00	IC	uPC4570G2
* IC14	XU929A00	IC	LC87F5164 CPU
IC15	XU965A00	IC	uPC29M33T-E1 3.3V
Q1	VV655300	TR.DGT	DTA144EKA
Q2	VV655300	TR.DGT	DTA144EKA
Q3	VV655300	TR.DGT	DTA144EKA
Q4	VD303700	TR	2SC3326 A,B
Q5	VD303700	TR	2SC3326 A,B
Q6	VD303700	TR	2SC3326 A,B
Q7	VD303700	TR	2SC3326 A,B
Q8	VD303700	TR	2SC3326 A,B
Q9	VD303700	TR	2SC3326 A,B
Q10	VD303700	TR	2SC3326 A,B
Q11	VD303700	TR	2SC3326 A,B
Q12	VD303700	TR	2SC3326 A,B
Q13	VD303700	TR	2SC3326 A,B
Q14	VV655700	TR.DGT	DTC144EKA
R30	HV753220	R.CAR.FP	2.2Ω 1/4W
R36	HV753220	R.CAR.FP	2.2Ω 1/4W
R37	HV753220	R.CAR.FP	2.2Ω 1/4W
R39	HV753100	R.CAR.FP	1Ω 1/4W
R43	HV754100	R.CAR.FP	10Ω 1/4W
R44	HV754100	R.CAR.FP	10Ω 1/4W
R45	HV753100	R.CAR.FP	1Ω 1/4W
R47	HV753100	R.CAR.FP	1Ω 1/4W
R114	HV753220	R.CAR.FP	2.2Ω 1/4W
R115	HV753220	R.CAR.FP	2.2Ω 1/4W
XL1	Vi552000	RSNR.CRYS	12.288MHz
XL2	VQ791000	RSNR.CE	10MHz
*	V3013900	P.C.B.	OPERATION(L)
*	V3014000	P.C.B.	OPERATION(UCA)
*	V3014100	P.C.B.	OPERATION(RT)
*	V3014300	P.C.B.	OPERATION(BG)
CB101	Vi878900	CN.BS.PIN	11P
CB102	VU282700	CN	27P
CB201	Vi878700	CN.BS.PIN	9P
CB251	VQ044800	CN.BS.PIN	18P
CB252	VK026800	CN.BS.PIN	9P
CB253	VK026500	CN.BS.PIN	6P
CB254	VK026700	CN.BS.PIN	8P
CB351	V2508700	CN.PHOT.SN	1P GP1F37R
CB352	V2508700	CN.PHOT.SN	1P GP1F37R
CB353	V2508700	CN.PHOT.SN	1P GP1F37R
CB354	VQ044200	CN.BS.PIN	6P
CB901	VK026600	CN.BS.PIN	7P
* CB902	VM929900	CN.BS.PIN	15P
* CB951	VQ047100	CN.BS.PIN	7P
C101	UB045100	C.CE.M.CHP	0.1uF 50V
C102	UR847470	C.EL	47uF 25V
C103	UR866220	C.EL	2.2uF 50V

* New Parts

P.C.B. OPERATION

Schm Ref.	PART NO.	Description		
C104	UR847100	C.EL	10uF	25V
C105	UR866100	C.EL	1uF	50V(LUCABG)
C105	UR866220	C.EL	2.2uF	50V(RT)
C106	UR818100	C.EL	100uF	6.3V
C107	UB045100	C.CE.M.CHP	0.1uF	50V
C108	UB045100	C.CE.M.CHP	0.1uF	50V
C109	VJ900700	C.CE.M.CHP	33pF	50V
C110	UB013100	C.CE.M.CHP	1000pF	50V
C111	UB013100	C.CE.M.CHP	1000pF	50V
C112	UB045100	C.CE.M.CHP	0.1uF	50V
C113	UB045100	C.CE.M.CHP	0.1uF	50V
C114	UR857100	C.EL	10uF	35V
C115	UB045100	C.CE.M.CHP	0.1uF	50V
C116	UR818330	C.EL	330uF	6.3V
C201	VG287800	C.EL	330uF	16V
C202	VG287800	C.EL	330uF	16V
C203	UR837220	C.EL	22uF	25V
C204	UR837220	C.EL	22uF	25V
C205	UR866100	C.EL	1uF	50V
C206	UR865100	C.EL	0.1uF	50V
C207	UR865100	C.EL	0.1uF	50V
C208	UR837470	C.EL	47uF	16V
C209	UA655120	C.MYLAR	0.12uF	50V
C210	VK533800	C.PP	47pF	200V
C211	UR866220	C.EL	2.2uF	50V
C212	VK533800	C.PP	47pF	200V
C213	UR866220	C.EL	2.2uF	50V
C214	UA655120	C.MYLAR	0.12uF	50V
C215	UR837470	C.EL	47uF	16V
C216	UR865100	C.EL	0.1uF	50V
C217	UR865100	C.EL	0.1uF	50V
C218	UR866100	C.EL	1uF	50V
C219	UR847100	C.EL	10uF	25V
C220	VQ645600	C.MYLAR	100pF	50V
C221	VQ645600	C.MYLAR	100pF	50V
C222	UR847100	C.EL	10uF	25V
C223	UA954330	C.MYLAR	0.033uF	50V
C224	UA954330	C.MYLAR	0.033uF	50V
C251	UA952100	C.MYLAR	100pF	50V
C252	UA952100	C.MYLAR	100pF	50V
C253	UR866220	C.EL	2.2uF	50V
C254	UR866220	C.EL	2.2uF	50V
C255	UR866220	C.EL	2.2uF	50V
C256	UR818100	C.EL	100uF	6.3V
C257	UR818100	C.EL	100uF	6.3V
C258	UR866220	C.EL	2.2uF	50V
C259	UR866220	C.EL	2.2uF	50V
C260	UR818100	C.EL	100uF	6.3V
C261	UR818100	C.EL	100uF	6.3V
C262	UR866220	C.EL	2.2uF	50V
C263	UN866100	C.EL	1uF	50V
C265	UA952100	C.MYLAR	100pF	50V
C266	UR818100	C.EL	100uF	6.3V

* New Parts

Schm Ref.	PART NO.	Description		
C267	UA952100	C.MYLAR	100pF	50V
C268	UR818100	C.EL	100uF	6.3V
C270	UR847100	C.EL	10uF	25V
C271	VG287600	C.EL	100uF	25V
C272	UA952100	C.MYLAR	100pF	50V
C273	UA952100	C.MYLAR	100pF	50V
C274	VG287600	C.EL	100uF	25V
C275	UR847100	C.EL	10uF	25V
C276	UA952100	C.MYLAR	100pF	50V
C277	UA952100	C.MYLAR	100pF	50V
C278	UB045100	C.CE.M.CHP	0.1uF	50V
C279	UR866470	C.EL	4.7uF	50V
C280	UB045100	C.CE.M.CHP	0.1uF	50V
C281	UB045100	C.CE.M.CHP	0.1uF	50V
C282	UR866470	C.EL	4.7uF	50V
C283	UR866470	C.EL	4.7uF	50V
C284	UB045100	C.CE.M.CHP	0.1uF	50V
C285	UB045100	C.CE.M.CHP	0.1uF	50V
C286	UR866470	C.EL	4.7uF	50V
C287	UR847100	C.EL	10uF	25V
C288	UR838100	C.EL	100uF	16V
C289	UR838100	C.EL	100uF	16V
C290	UR847100	C.EL	10uF	25V
C291	UR847100	C.EL	10uF	25V
C292	UR847100	C.EL	10uF	25V
C293	UR847100	C.EL	10uF	25V
C294	UR847100	C.EL	10uF	25V
C351	UB051220	C.CE.M.CHP	22pF	50V
C352	UB045100	C.CE.M.CHP	0.1uF	50V
C353	UB045100	C.CE.M.CHP	0.1uF	50V
C354	UB045100	C.CE.M.CHP	0.1uF	50V
C355	UB045100	C.CE.M.CHP	0.1uF	50V
C356	UR847220	C.EL	22uF	25V
C357	UB012220	C.CE.M.CHP	220pF	50V
C358	UB051100	C.CE.M.CHP	10pF	50V
C359	UB013100	C.CE.M.CHP	1000pF	50V
C360	UB045100	C.CE.M.CHP	0.1uF	50V
C361	UB045100	C.CE.M.CHP	0.1uF	50V
C362	UR818100	C.EL	100uF	6.3V
C363	UB045100	C.CE.M.CHP	0.1uF	50V
C901	UB044100	C.CE.M.CHP	0.01uF	50V
C902	UB012220	C.CE.M.CHP	220pF	50V
C903	UB012220	C.CE.M.CHP	220pF	50V
C904	UB012220	C.CE.M.CHP	220pF	50V
C905	UB012220	C.CE.M.CHP	220pF	50V
C906	UB012220	C.CE.M.CHP	220pF	50V
C907	UB012220	C.CE.M.CHP	220pF	50V
C951	UB045100	C.CE.M.CHP	0.1uF	50V
C952	UB045100	C.CE.M.CHP	0.1uF	50V
C953	VF466800	C.CE.TUBLR	100pF	50V
C954	VF466800	C.CE.TUBLR	100pF	50V
D101	VD631600	DIODE	1SS133,176,HSS104	
D102	VM974400	DIODE.ZENR	HZS6B2TD(LUCABG)	

* New Parts

P.C.B. OPERATION & INPUT

Schm Ref.	PART NO.	Description	
D102	VM974500	DIODE.ZENR	HZS6C2TD 6.0V(RT)
D103	VM974700	DIODE.ZENR	HZS7B2TD 7.0V
D104	VV625100	LED(re)	SIM-22ST(UCA)
D105	VD631600	DIODE	1SS133,176,HSS104
D106	VD631600	DIODE	1SS133,176,HSS104
D107	VD631600	DIODE	1SS133,176,HSS104
D108	VD631600	DIODE	1SS133,176,HSS104
D109	VM974100	DIODE.ZENR	HZS5B2TD 5.0V
D252	VM974100	DIODE.ZENR	HZS5B2TD 5.0V
D351	VT332900	DIODE	1SS355
D352	VT332900	DIODE	1SS355
G101	VR463400	TERM.GND	D3.5 TP00385
IC101	XJ757A00	IC	NJM78L05A-T3
IC102	XR188A00	IC	LC75710NE(LUCART)
IC102	XV160A00	IC	LC75712E FLD(BG)
IC201	XM356A00	IC	NJM2068LD
IC202	XB247A00	IC	uPC4570HA
IC251	XF291A00	IC	uPC4570G2
IC252	XF291A00	IC	uPC4570G2
IC253	XF291A00	IC	uPC4570G2
IC254	XF494A00	IC	LB1641
IC255	XR040A00	IC	TC9299P
IC256	XR040A00	IC	TC9299P
IC257	XF291A00	IC	uPC4570G2
IC258	XF291A00	IC	uPC4570G2
IC351	iG142200	IC	TC74HCU04AP
IC352	iR000010	IC	HD74HC00P 2IN NAND
IC353	XT208A00	IC	HD74HC153P MPX
JK901	VJ726800	JACK.MNI	(UCA)
JK902	VJ726800	JACK.MNI	(UCA)
* JK951	V2589500	CN	1P
L351	GE901970	COIL	68uH
L352	GE901970	COIL	68uH
L353	GE901970	COIL	68uH
PJ351	VY667700	JACK.PIN	1P
PJ901	V2874800	JACK.PIN	6P
PJ951	VR406000	JACK.PIN	3P
* Q101	VV556500	TR	2SA1037K Q,R,S
* Q102	VV556500	TR	2SA1037K Q,R,S
* Q103	VV556500	TR	2SA1037K Q,R,S
Q104	VV655700	TR.DGT	DTC144EKA
* Q105	VV556400	TR	2SC2412K Q,R,S
* Q106	VV556400	TR	2SC2412K Q,R,S
* Q107	VV556400	TR	2SC2412K Q,R,S
Q251	VV655700	TR.DGT	DTC144EKA
R148	HV755560	R.CAR.FP	560Ω 1/4W
R229	VP939800	R.MTL.OXD	10Ω 1W
R230	VP939800	R.MTL.OXD	10Ω 1W
R280	HV754100	R.CAR.FP	10Ω 1/4W
R281	HV754100	R.CAR.FP	10Ω 1/4W
R282	HV754100	R.CAR.FP	10Ω 1/4W
R359	HV753220	R.CAR.FP	2.2Ω 1/4W
SW101	VG392900	SW.TACT	SKHVAA

* New Parts

Schm Ref.	PART NO.	Description	
SW102	VG392900	SW.TACT	SKHVAA
SW103	VG392900	SW.TACT	SKHVAA
SW104	VG392900	SW.TACT	SKHVAA(BG)
SW105	VG392900	SW.TACT	SKHVAA(BG)
SW106	VG392900	SW.TACT	SKHVAA(BG)
SW107	VG392900	SW.TACT	SKHVAA
SW108	VG392900	SW.TACT	SKHVAA
SW109	VG392900	SW.TACT	SKHVAA
SW110	VG392900	SW.TACT	SKHVAA(BG)
SW111	VG392900	SW.TACT	SKHVAA
SW112	VG392900	SW.TACT	SKHVAA
SW113	VG392900	SW.TACT	SKHVAA
SW114	VG392900	SW.TACT	SKHVAA
SW115	VG392900	SW.TACT	SKHVAA
SW116	VG392900	SW.TACT	SKHVAA
SW117	VG392900	SW.TACT	SKHVAA
SW118	VG392900	SW.TACT	SKHVAA
SW119	VG392900	SW.TACT	SKHVAA
SW120	VG392900	SW.TACT	SKHVAA
SW121	VG392900	SW.TACT	SKHVAA
SW122	VG392900	SW.TACT	SKHVAA
SW123	VG392900	SW.TACT	SKHVAA
SW124	VG392900	SW.TACT	SKHVAA
SW125	VG392900	SW.TACT	SKHVAA
SW126	VG392900	SW.TACT	SKHVAA
SW127	VT140300	SW.RT.ENC	EC16B12204
SW128	VG392900	SW.TACT	SKHVAA
SW129	VG392900	SW.TACT	SKHVAA
SW130	VG392900	SW.TACT	SKHVAA
SW201	VV885000	SW.PUSH	SPUN22 2
SW901	VS602600	SW.SLIDE	SS070-P022 A(RT)
SW902	VS602600	SW.SLIDE	SS070-P022 A
U101	VU591000	L.DTCT	GP1U271X
* V101	V2573800	FL.DSPLY	16-BT-60GK
VR201	VP741800	VR	B20KΩ
VR202	VP741900	VR	G25KΩ
VR203	VP742000	VR	MN100KΩ
* VR251	V2556700	VR.MTR	A100KΩ
	VJ828000	PIN	IMSA-6024-03E
	VS588900	SHEET	
	VV499900	SPACER	FL-T7.5
	VY760000	SPACER	(UCA)
	BB071360	SCR.TERM	8.3x13
*	V3013300	P.C.B.	INPUT(UC)
*	V3013400	P.C.B.	INPUT(RT)
*	V3013500	P.C.B.	INPUT(A)
*	V3013600	P.C.B.	INPUT(B)
*	V3013700	P.C.B.	INPUT(G)
*	V3013800	P.C.B.	INPUT(L)
* CB11	VQ047100	CN.BS.PIN	7P

* New Parts

P.C.B. INPUT

Schm Ref.	PART NO.	Description	
CB12	Vi879100	CN.BS.PIN	13P
CB13	VM923600	CN.BS.PIN	13P
* CB14	VM859600	CN.BS.PIN	15P
CB15	VQ963700	CN.BS.PIN	16P
CB16	VP573800	CN.BS.PIN	18P
CB17	VM859500	CN.BS.PIN	11P
CB18	VQ047800	CN.BS.PIN	27P
CB19	Vi879000	CN.BS.PIN	12P
CB20	VB390400	CN.BS.PIN	8P
CB401	Vi879100	CN.BS.PIN	13P
CB402	Vi878500	CN.BS.PIN	7P
CB821	VK024700	CN.BS.PIN	3P
CB822	VP206500	HOLDER.FUS	EYF-52BC(G)
CB823	VG879900	CN.BS.PIN	2P
CB824	VP206500	HOLDER.FUS	EYF-52BC(ABGL)
CB825	VP206500	HOLDER.FUS	EYF-52BC(G)
CB826	VP206500	HOLDER.FUS	EYF-52BC(ABGL)
CB827	VP206500	HOLDER.FUS	EYF-52BC(UCRT)
CB828	VP206500	HOLDER.FUS	EYF-52BC(UCRT)
CB851	VP206500	HOLDER.FUS	EYF-52BC(RT)
CB852	VP206500	HOLDER.FUS	EYF-52BC(RT)
C11	UA952100	C.MYLAR	100pF 50V(ABGL)
C12	UB044100	C.CE.M.CHP	0.01uF 50V
C13	UA952100	C.MYLAR	100pF 50V(ABGL)
C14	VK533900	C.PP	100pF 200V
C15	VK533900	C.PP	100pF 200V
C16	UB052100	C.CE.M.CHP	100pF 50V
C17	UB052100	C.CE.M.CHP	100pF 50V
C18	VK533800	C.PP	47pF 200V
C19	VK533800	C.PP	47pF 200V
C20	VK533900	C.PP	100pF 200V
C21	VK533900	C.PP	100pF 200V
C22	UB052100	C.CE.M.CHP	100pF 50V
C23	UB052100	C.CE.M.CHP	100pF 50V
C24	UB052100	C.CE.M.CHP	100pF 50V
C25	UB052100	C.CE.M.CHP	100pF 50V
C26	VK533800	C.PP	47pF 200V
C27	VK533800	C.PP	47pF 200V
C28	UR866220	C.EL	2.2uF 50V
C29	UR866220	C.EL	2.2uF 50V
C30	UA952220	C.MYLAR	220pF 50V
C31	UR828220	C.EL	220uF 10V
C32	UR837470	C.EL	47uF 16V
C33	UA953100	C.MYLAR	1000pF 50V
C34	UA653910	C.MYLAR	9100pF 50V
C35	UA954330	C.MYLAR	0.033uF 50V
C36	UA653910	C.MYLAR	9100pF 50V
C37	UA954330	C.MYLAR	0.033uF 50V
C38	UA953100	C.MYLAR	1000pF 50V
C39	UA952220	C.MYLAR	220pF 50V
C40	UR828220	C.EL	220uF 10V
C41	UR837470	C.EL	47uF 16V
C42	UR866220	C.EL	2.2uF 50V

* New Parts

Schm Ref.	PART NO.	Description		
C43	UR866220	C.EL	2.2uF	50V
C44	UR837100	C.EL	10uF	16V(BG)
C45	UR837100	C.EL	10uF	16V(BG)
C47	UR837100	C.EL	10uF	16V
C48	UA952100	C.MYLAR	100pF	50V
C49	UA952100	C.MYLAR	100pF	50V
C50	UR837100	C.EL	10uF	16V
C51	UA954180	C.MYLAR	0.018uF	50V
C53	UR837220	C.EL	22uF	25V
* C54	VQ083000	C.EL	47uF	16V
* C57	VQ083000	C.EL	47uF	16V
C58	UR837220	C.EL	22uF	25V
C60	UR837220	C.EL	22uF	25V
C61	UR847100	C.EL	10uF	25V
C62	VG287500	C.EL	47uF	50V
C63	VG287500	C.EL	47uF	50V
C64	UR847100	C.EL	10uF	25V
C65	UR837220	C.EL	22uF	25V
C66	UB245100	C.CE.M.CHP	0.1uF	25V
C67	UB245100	C.CE.M.CHP	0.1uF	25V
C68	UR837220	C.EL	22uF	25V
C69	UR837220	C.EL	22uF	25V
C70	UR837220	C.EL	22uF	25V
C71	UR837220	C.EL	22uF	25V
C72	UA952100	C.MYLAR	100pF	50V
C73	UA952100	C.MYLAR	100pF	50V
C74	UA954270	C.MYLAR	0.027uF	50V
C75	UA954270	C.MYLAR	0.027uF	50V
C76	UR847100	C.EL	10uF	25V
C77	UR847100	C.EL	10uF	25V
C78	UA954270	C.MYLAR	0.027uF	50V
C79	UA954270	C.MYLAR	0.027uF	50V
C80	UB245100	C.CE.M.CHP	0.1uF	25V
C81	UB245100	C.CE.M.CHP	0.1uF	25V
C82	UB044100	C.CE.M.CHP	0.01uF	50V
C83	UB044100	C.CE.M.CHP	0.01uF	50V
C84	UB245100	C.CE.M.CHP	0.1uF	25V
C85	UB245100	C.CE.M.CHP	0.1uF	25V
C86	UR837100	C.EL	10uF	16V
* C87	VG288800	C.EL	47uF	50V
C88	UA952100	C.MYLAR	100pF	50V
C89	UR837470	C.EL	47uF	16V
* C90	VG288800	C.EL	47uF	50V
C91	UR837470	C.EL	47uF	16V
C92	UA952100	C.MYLAR	100pF	50V
C93	UR837100	C.EL	10uF	16V
C94	UB245100	C.CE.M.CHP	0.1uF	25V
C95	UB245100	C.CE.M.CHP	0.1uF	25V
C96	UB245100	C.CE.M.CHP	0.1uF	25V
C97	UR866100	C.EL	1uF	50V
C98	UR866100	C.EL	1uF	50V
C99	UB245100	C.CE.M.CHP	0.1uF	25V
C100	UB245100	C.CE.M.CHP	0.1uF	25V

* New Parts

P.C.B. INPUT

Schm Ref.	PART NO.	Description		
* C101	UR819220	C.EL	2200uF	6.3V
C102	UB245100	C.CE.M.CHP	0.1uF	25V
* C103	VT180400	C.EL	4700uF	5.5V
C104	UB245100	C.CE.M.CHP	0.1uF	25V
C105	UB044100	C.CE.M.CHP	0.01uF	50V
C107	UA954680	C.MYLAR	0.068uF	50V
* C108	UR818220	C.EL	220uF	6.3V
C109	UN866220	C.EL	2.2uF	50V
C110	UR818470	C.EL	470uF	6.3V
C111	UB245100	C.CE.M.CHP	0.1uF	25V
C401	UR837330	C.EL	33uF	16V
C402	VG279600	C.CE.TUBLR	3300pF	16V
C403	VF466800	C.CE.TUBLR	100pF	50V
C404	VF466800	C.CE.TUBLR	100pF	50V
C405	UR837100	C.EL	10uF	16V
C406	UR837330	C.EL	33uF	16V
C407	UR829100	C.EL	1000uF	10V
C408	VF466800	C.CE.TUBLR	100pF	50V
C409	VF466800	C.CE.TUBLR	100pF	50V
C410	UR829100	C.EL	1000uF	10V
C411	VF466800	C.CE.TUBLR	100pF	50V
C412	UR837100	C.EL	10uF	16V
C413	UR837100	C.EL	10uF	16V
C414	UR837100	C.EL	10uF	16V
C415	VF466800	C.CE.TUBLR	100pF	50V
C416	UR829100	C.EL	1000uF	10V
C417	UR837330	C.EL	33uF	16V
C418	UR829100	C.EL	1000uF	10V
C419	UR837100	C.EL	10uF	16V
C420	UR837220	C.EL	22uF	25V
C421	VJ599100	C.CE.TUBLR	0.1uF	50V
C422	UR837100	C.EL	10uF	16V
C423	VG276600	C.CE.TUBLR	22pF	50V
C424	UR837100	C.EL	10uF	16V
C425	VJ599100	C.CE.TUBLR	0.1uF	50V
C426	UR837100	C.EL	10uF	16V
C427	UR837100	C.EL	10uF	16V
C428	VG276600	C.CE.TUBLR	22pF	50V
C429	UR837100	C.EL	10uF	16V
C430	UR837100	C.EL	10uF	16V
C431	VJ599100	C.CE.TUBLR	0.1uF	50V
C432	UR837100	C.EL	10uF	16V
C433	UR739220	C.EL	2200uF	16V
C434	UR837470	C.EL	47uF	16V
C435	VF466900	C.CE.TUBLR	470pF	50V
C436	VJ599100	C.CE.TUBLR	0.1uF	50V
C437	UR866100	C.EL	1uF	50V
C438	VJ599100	C.CE.TUBLR	0.1uF	50V
C439	UR837470	C.EL	47uF	16V
C440	UR866470	C.EL	4.7uF	50V
C441	VG273100	C.CE.TUBLR	6.8pF	50V
C442	VG273100	C.CE.TUBLR	6.8pF	50V
C443	VG276700	C.CE.TUBLR	24pF	50V

* New Parts

Schm Ref.	PART NO.	Description		
C444	VG276700	C.CE.TUBLR	24pF	50V
C445	UR837100	C.EL	10uF	16V
C446	UR818100	C.EL	100uF	6.3V
C447	VG279100	C.CE.TUBLR	1200pF	16V
C448	VF466900	C.CE.TUBLR	470pF	50V
C449	UR866100	C.EL	1uF	50V
C450	UR837100	C.EL	10uF	16V
C451	VJ599100	C.CE.TUBLR	0.1uF	50V
C452	UR837470	C.EL	47uF	16V
C453	UR838100	C.EL	100uF	16V
C821	UA953100	C.MYLAR	1000pF	50V(RT)
C822	VJ599100	C.CE.TUBLR	0.1uF	50V
△ C823	UR848330	C.EL	330uF	25V(RTABGL)
△ C823	UR848470	C.EL	470uF	25V(UC)
△ C824	UA954100	C.MYLAR	0.01uF	50V
C825	UR858100	C.EL	100uF	35V(RT)
C826	Vi716700	C.MYLAR	0.01uF	50V
△ C827	VS741700	C.CE.SAFTY	0.01uF	275V
△ C828	UR858100	C.EL	100uF	35V(RT)
D11	VT332900	DIODE	1SS355	
D12	VT332900	DIODE	1SS355	
D13	VU171900	DIODE.ZENR	UDZ5.1B	5.1V
D14	VT332900	DIODE	1SS355	
D15	VT332900	DIODE	1SS355	
D16	VT332900	DIODE	1SS355	
D17	VT332900	DIODE	1SS355	
D18	VU171900	DIODE.ZENR	UDZ5.1B	5.1V
D19	VU172600	DIODE.ZENR	UDZS10B	10V
D20	VU172600	DIODE.ZENR	UDZS10B	10V
D21	VU172600	DIODE.ZENR	UDZS10B	10V
D22	VU172600	DIODE.ZENR	UDZS10B	10V
D401	VM974400	DIODE.ZENR	HZS6B2TD	6.0V
D402	VD631600	DIODE	1SS133,176,HSS104	
D403	VD631600	DIODE	1SS133,176,HSS104	
D404	VD631600	DIODE	1SS133,176,HSS104	
D405	VD631600	DIODE	1SS133,176,HSS104	
D406	VD631600	DIODE	1SS133,176,HSS104	
D407	VD631600	DIODE	1SS133,176,HSS104	
D408	VD631600	DIODE	1SS133,176,HSS104	
D409	VD631600	DIODE	1SS133,176,HSS104	
D821	VD631600	DIODE	1SS133,176,HSS104	
△ D822	VR253700	DIODE.BRG	S1NB20	1.0A 200V
D823	VM975600	DIODE.ZENR	HZS12B2TD	12V(RT)
△ F821	VT942900	FUSE	TH2.5A	250V(G)
△ F822	KB000790	FUSE	T4.0A	250V(ABGL)
△ F823	VS823300	FUSE	T8.0A	125V(UCRT)
△ F851	KB000790	FUSE	T4.0A	250V(RT)
G11	VR463400	TERM.GND	D3.5	TP00385
* HS1	V2984900	HEAT.SINK	PUH16-25	(RT)
IC11	XJ553A00	IC	NJM2068MD	
IC12	XF291A00	IC	uPC4570G2	
* IC13	XV039A00	IC	M5220FP	OP AMP
* IC15	XV039A00	IC	M5220FP	OP AMP

* New Parts

P.C.B. INPUT & MAIN

Schm Ref.	PART NO.	Description	
* IC16	XV039A00	IC	M5220FP OP AMP
IC17	XP894A00	IC	LC78211
IC18	XP896A00	IC	LC78213
IC19	XP895A00	IC	LC78212
IC20	XF291A00	IC	uPC4570G2(BG)
* IC21	XV287A00	IC	HD64F3337YF16 CPU
IC401	iG055100	IC	TC4053BP
IC402	XH436A00	IC	LA7956
IC403	XH436A00	IC	LA7956
IC404	XH436A00	IC	LA7956
IC405	iG037400	IC	uPD4066BC
IC406	XS502A00	IC	LC74781-9626
JK401	VN938100	CN.DIN	3P S
L401	VG668700	COIL	33uH
PJ11	VQ260900	JACK.PIN	4P
PJ12	VU857800	JACK.PIN	6P
PJ13	VU857800	JACK.PIN	6P
PJ401	VV852500	JACK.PIN	3P
PJ402	VV325000	JACK.PIN	2P
Q11	VV655300	TR.DGT	DTA144EKA
Q12	VV655700	TR.DGT	DTC144EKA
Q13	VV655700	TR.DGT	DTC144EKA
Q401	iC174020	TR	2SC1740S R,S
Q402	iC287820	TR	2SC2878 A,B
Q403	iA101510	TR	2SA1015 Y
Q404	iC181510	TR	2SC1815 Y
Q405	iA101510	TR	2SA1015 Y
Q406	iC181510	TR	2SC1815 Y
Q407	iC174020	TR	2SC1740S R,S
Q408	iC181510	TR	2SC1815 Y
Q409	VD678700	TR.DGT	DTC114ES
Q410	iA101510	TR	2SA1015 Y
Q411	iC053540	TR	2SC535 A,B,C
Q412	iC224030	TR	2SC2240 GR,BL
Q413	iA101510	TR	2SA1015 Y
Q414	iA093320	TR	2SA933S Q,R
Q415	VG721700	TR.DGT	DTA144ES
Q821	iC174020	TR	2SC1740S R,S
Q822	VR510800	TR	2SD2396 J,K(RT)
R54	HV755100	R.CAR.FP	100Ω 1/4W
R55	HV755100	R.CAR.FP	100Ω 1/4W
R62	VP939600	R.MTL.FLM	2.2Ω 1W
R63	VP939600	R.MTL.FLM	2.2Ω 1W
R94	HV753220	R.CAR.FP	2.2Ω 1/4W
R120	VP940600	R.MTL.OXD	220Ω 1W
R123	VP940600	R.MTL.OXD	220Ω 1W
R437	VY716000	R.MTL.OXD	270Ω 1W
R440	VY716000	R.MTL.OXD	270Ω 1W
R444	HV753220	R.CAR.FP	2.2Ω 1/4W
R450	HV753220	R.CAR.FP	2.2Ω 1/4W
R459	HV753220	R.CAR.FP	2.2Ω 1/4W
R460	VY716000	R.MTL.OXD	270Ω 1W
R822	HV756560	R.CAR.FP	5.6KΩ 1/4W(RT)

* New Parts

Schm Ref.	PART NO.	Description	
* R823	HV756560	R.CAR.FP	5.6KΩ 1/4W(RT)
△ RY821	V2695300	RELAY	DC DG12D1-O/M-II(U)
△ RY821	V2712300	RELAY	DC SDT-S-112LMR
△ RY821	V2712300	RELAY	(RTABGL)
△ SW851	VA961800	VOLT.SELCT	ESE-37247-F(RT)
△ T821	XC083A00	TRANS.PWR	(UC)
△ T821	XC084A00	TRANS.PWR	(ABGL)
△ T821	XT331A00	TRANS.PWR	(RT)
△ TE821	VT915000	OUTLET.AC	2P(A)
△ TE821	VU543100	OUTLET.AC	2P(UCRT)
△ TE821	VU543300	OUTLET.AC	1P(B)
△ TE821	VU543400	OUTLET.AC	2P(GL)
XL11	VE222400	RSNR.CE	8MHz
XL401	VV949800	RSNR.CRYS	14.31818MHz(UCRT)
XL401	VV949900	RSNR.CRYS	17.734475MHz(ABGL)
	VJ828000	PIN	IMSA-6024-03E
	VR264300	PLATE.GND	
	EP600140	SCR.BND.HD	3x10 MFZN2-BL(RT)
* V3014500	P.C.B.	MAIN(UCRT)	
* V3014600	P.C.B.	MAIN(A)	
* V3014700	P.C.B.	MAIN(BGL)	
CB501	Vi878400	CN.BS.PIN	6P
CB502	VK025500	CN.BS.PIN	11P
CB521	VQ584700	CN.BS.PIN	5P
CB522	VQ584700	CN.BS.PIN	5P
CB523	VQ584800	CN.BS.PIN	6P
CB524	VQ584800	CN.BS.PIN	6P
CB525	Vi878900	CN.BS.PIN	11P
CB526	Vi878100	CN.BS.PIN	3P
CB529	LA002110	TERM.WRAP	2P
CB530	LA002110	TERM.WRAP	2P
CB531	LA002110	TERM.WRAP	2P
CB533	VQ584700	CN.BS.PIN	5P
CB702	Vi878600	CN.BS.PIN	8P
CB703	VK025600	CN.BS.PIN	12P
* CB704	VQ585500	CN.JUMPER	5P
CB705	VK025100	CN.BS.PIN	7P
CB706	VB389900	CN.BS.PIN	3P
CB707	VB389800	CN.BS.PIN	2P
CB708	VK027000	CN.BS.PIN	11P
CB709	Vi878500	CN.BS.PIN	7P
C501	UR866470	C.EL	4.7uF 50V
C503	UR847100	C.EL	10uF 25V
C504	UR847100	C.EL	10uF 25V
C505	UR818100	C.EL	100uF 6.3V
C506	VK399200	C.MYLAR.ML	0.39uF 50V
C507	UR866470	C.EL	4.7uF 50V
C508	FU452100	C.MICA	100pF 500V
C509	VQ645600	C.MYLAR	100pF 50V

* New Parts

P.C.B. MAIN

Schm Ref.	PART NO.	Description		
C510	FU452100	C.MICA	100pF	500V
C511	VQ645600	C.MYLAR	100pF	50V
C512	UA952100	C.MYLAR	100pF	50V
C513	UR847100	C.EL	10uF	25V
C514	UA952100	C.MYLAR	100pF	50V
C515	UR847100	C.EL	10uF	25V
C516	VK399200	C.MYLAR.ML	0.39uF	50V
C517	FU451330	C.MICA	33pF	500V
C518	UR838100	C.EL	100uF	16V
C519	UA953100	C.MYLAR	1000pF	50V
C520	FU451330	C.MICA	33pF	500V
C521	UR838100	C.EL	100uF	16V
C522	UA953100	C.MYLAR	1000pF	50V
C523	FU451330	C.MICA	33pF	500V
C524	UR837470	C.EL	47uF	16V
C525	UA953100	C.MYLAR	1000pF	50V
C526	VK533900	C.PP	100pF	200V
C527	UR867470	C.EL	47uF	50V
C528	UR867470	C.EL	47uF	50V
C529	VK533900	C.PP	100pF	200V
C530	VK347900	C.EL	470uF	63V
C531	VK533900	C.PP	100pF	200V
C532	UR867470	C.EL	47uF	50V
C533	UR867470	C.EL	47uF	50V
C534	VK533900	C.PP	100pF	200V
C535	VR325000	C.MYLAR	100pF	100V
C536	UR867470	C.EL	47uF	50V
C537	UR867470	C.EL	47uF	50V
C538	VR325000	C.MYLAR	100pF	100V
C541	UR866100	C.EL	1uF	50V
C542	UA954680	C.MYLAR	0.068uF	50V
C543	UA954680	C.MYLAR	0.068uF	50V
C544	UA954680	C.MYLAR	0.068uF	50V
C545	UA954100	C.MYLAR	0.01uF	50V(ABGL)
C546	UA954220	C.MYLAR	0.022uF	50V(ABGL)
C547	UA954220	C.MYLAR	0.022uF	50V(ABGL)
C548	UA954220	C.MYLAR	0.022uF	50V(ABGL)
C549	UA954220	C.MYLAR	0.022uF	50V(ABGL)
C550	UA954220	C.MYLAR	0.022uF	50V(ABGL)
C551	UA954220	C.MYLAR	0.022uF	50V(ABGL)
△* C552	V2922200	C.EL	12000uF	63V
△* C553	V2922200	C.EL	12000uF	63V
C554	UA954100	C.MYLAR	0.01uF	50V(ABGL)
C555	UA954100	C.MYLAR	0.01uF	50V
C556	VS745400	C.POL.MTL	0.1uF	100V
C557	VS745400	C.POL.MTL	0.1uF	100V
C701	UR866470	C.EL	4.7uF	50V
C703	UR866470	C.EL	4.7uF	50V
C704	UR837470	C.EL	47uF	16V
C705	UR837470	C.EL	47uF	16V
C706	UR847100	C.EL	10uF	25V
C711	UA952100	C.MYLAR	100pF	50V
C712	UA952470	C.MYLAR	470pF	50V

* New Parts

Schm Ref.	PART NO.	Description		
C713	UR837470	C.EL	47uF	16V
C714	UA952470	C.MYLAR	470pF	50V
C715	UA952100	C.MYLAR	100pF	50V
C716	UR847100	C.EL	10uF	25V
C717	UR837470	C.EL	47uF	16V
C718	UR847100	C.EL	10uF	25V
C719	VR516400	C.CE	15pF	500V
C720	UR837470	C.EL	47uF	16V
C721	UA953100	C.MYLAR	1000pF	50V
C722	UA953100	C.MYLAR	1000pF	50V
C723	UR837470	C.EL	47uF	16V
C724	VR516400	C.CE	15pF	500V
C725	UR837470	C.EL	47uF	16V
C726	UR847100	C.EL	10uF	25V
C727	UR857470	C.EL	47uF	35V
C728	VR325000	C.MYLAR	100pF	100V
C729	UR867470	C.EL	47uF	50V
C730	UR867470	C.EL	47uF	50V
C731	VR325000	C.MYLAR	100pF	100V
C732	UR878100	C.EL	100uF	63V
C733	UR878100	C.EL	100uF	63V
C734	VR325000	C.MYLAR	100pF	100V
C735	UR867470	C.EL	47uF	50V
C736	UR867470	C.EL	47uF	50V
C737	VR325000	C.MYLAR	100pF	100V
C738	UR857470	C.EL	47uF	35V
C739	UR848470	C.EL	470uF	25V
C740	UR865470	C.EL	0.47uF	50V
C741	UR847100	C.EL	10uF	25V
C742	UR867100	C.EL	10uF	50V
C743	UR837100	C.EL	10uF	16V
C744	UA954680	C.MYLAR	0.068uF	50V
C745	UR877470	C.EL	47uF	63V
C746	UA954680	C.MYLAR	0.068uF	50V
C747	UR877470	C.EL	47uF	63V
C748	UR858470	C.EL	470uF	35V
△* C749	UR768470	C.EL	470uF	50V
△* C750	UR768470	C.EL	470uF	50V
△* C751	UR749680	C.EL	6800uF	25V
△* C752	UR749220	C.EL	2200uF	25V
△ C753	UR749470	C.EL	4700uF	25V
C754	VF466900	C.CE.TUBLR	470pF	50V
C755	VF466900	C.CE.TUBLR	470pF	50V
C756	UA655100	C.MYLAR	0.1uF	50V
C757	VF466900	C.CE.TUBLR	470pF	50V
C758	VF466900	C.CE.TUBLR	470pF	50V
C759	VF466900	C.CE.TUBLR	470pF	50V
C760	UA954100	C.MYLAR	0.01uF	50V(ABGL)
C761	UA954100	C.MYLAR	0.01uF	50V(ABGL)
C762	UA954100	C.MYLAR	0.01uF	50V(ABGL)
C763	VJ599100	C.CE.TUBLR	0.1uF	50V
C764	UA954220	C.MYLAR	0.022uF	50V(ABGL)
C765	UA954220	C.MYLAR	0.022uF	50V(ABGL)

* New Parts

P.C.B. MAIN

Schm Ref.	PART NO.	Description		
C766	VS745400	C.POL.MTL	0.1uF	100V(UCRT)
C767	VS745400	C.POL.MTL	0.1uF	100V(UCRT)
* C768	VE326400	C.MYLAR.ML	0.22uF	50V(UCRT)
* C769	VE326400	C.MYLAR.ML	0.22uF	50V
C770	VJ599100	C.CE.TUBLR	0.1uF	50V
C771	VS745400	C.POL.MTL	0.1uF	100V
C772	VJ599100	C.CE.TUBLR	0.1uF	50V
* C773	VE326400	C.MYLAR.ML	0.22uF	50V
* C774	VE326400	C.MYLAR.ML	0.22uF	50V
* C775	UA954120	C.MYLAR	0.012uF	50V(ABGL)
* C776	UA954120	C.MYLAR	0.012uF	50V(ABGL)
* C777	UA954120	C.MYLAR	0.012uF	50V(ABGL)
D501	VM976500	DIODE.ZENR	HZS302TD	30V
D502	VD631600	DIODE	1SS133,176,HSS104	
D506	VN008700	DIODE	1SS270A	
D507	VN008700	DIODE	1SS270A	
D508	VN008700	DIODE	1SS270A	
△ D510	VN011400	DIODE.BRG	D5SB20	5A 200V
D511	VD631600	DIODE	1SS133,176,HSS104	
D513	VM975700	DIODE.ZENR	HZS12C2TD	12V
D701	VM975700	DIODE.ZENR	HZS12C2TD	12V
△ D702	VM974900	DIODE.ZENR	HZS9A2TD	9.0V
△ D703	VM974900	DIODE.ZENR	HZS9A2TD	9.0V
△ D704	VM974900	DIODE.ZENR	HZS9A2TD	9.0V
△ D705	VM974900	DIODE.ZENR	HZS9A2TD	9.0V
D706	VM976300	DIODE.ZENR	HZS242TD	24V
D707	VN008700	DIODE	1SS270A	
D708	VN008700	DIODE	1SS270A	
D709	VD631600	DIODE	1SS133,176,HSS104	
D710	VD631600	DIODE	1SS133,176,HSS104	
△ D711	VM974900	DIODE.ZENR	HZS9A2TD	9.0V
△ D712	VM974900	DIODE.ZENR	HZS9A2TD	9.0V
△ D713	VR253700	DIODE.BRG	S1NB20	1.0A 200V
△ D714	VR253700	DIODE.BRG	S1NB20	1.0A 200V
△ D715	VR253700	DIODE.BRG	S1NB20	1.0A 200V
HS501	VS606000	HEAT.SINK	DPS35-45	
△ IC701	XJ608A00	IC	NJM7812FA	
△ IC703	XJ608A00	IC	NJM7812FA	
△ IC704	XJ607A00	IC	NJM7805FA	5V
△ IC705	XD343A00	IC	NJM79M12FA	
JK501	V2700900	JACK.PHONE	JY-6317-03-030GD	
L501	VU038200	COIL	0.95uH	
L502	VU038200	COIL	0.95uH	
L701	VP575600	COIL	1.5uH	
L702	VP575600	COIL	1.5uH	
L703	VP575600	COIL	1.5uH	
PJ701	VR245000	JACK.PIN	6P	
Q502	VK432900	TR	2SD1915F	S,T
Q504	VK432900	TR	2SD1915F	S,T
Q505	VK432900	TR	2SD1915F	S,T
Q506	iA101510	TR	2SA1015	Y
Q507	VP883000	TR	2SA893A	D,E
Q508	VP883000	TR	2SA893A	D,E

* New Parts

Schm Ref.	PART NO.	Description		
Q509	VP883000	TR	2SA893A	D,E
Q510	iC224030	TR	2SC2240	GR,BL
Q511	VP883000	TR	2SA893A	D,E
Q512	VP883000	TR	2SA893A	D,E
Q513	VP883000	TR	2SA893A	D,E
△ Q514	iC224030	TR	2SC2240	GR,BL
△ Q515	VR325600	TR	2SC2229	O,Y
△ Q516	iC224030	TR	2SC2240	GR,BL
△ Q517	VR325600	TR	2SC2229	O,Y
△ Q518	iC224030	TR	2SC2240	GR,BL
△ Q519	VR325600	TR	2SC2229	O,Y
△ Q522	iP011600	TR.PAIR	2SA1358/C3421	O,Y
△ Q523	VY760300	TR.PAIR	2SA1492/C3856	OPY
△ Q526	iP011600	TR.PAIR	2SA1358/C3421	O,Y
△ Q527	VY760300	TR.PAIR	2SA1492/C3856	OPY
△ Q530	iP011600	TR.PAIR	2SA1358/C3421	O,Y
△ Q531	VY760300	TR.PAIR	2SA1492/C3856	OPY
Q534	iA097030	TR	2SA970	GR,BL
△ Q535	VP883100	TR	2SC1890A	D,E
△ Q536	VP883100	TR	2SC1890A	D,E
△ Q537	VP883100	TR	2SC1890A	D,E
Q538	iC174020	TR	2SC1740S	R,S
Q540	VK432900	TR	2SD1915F	S,T
Q541	VK432900	TR	2SD1915F	S,T
Q701	VK432900	TR	2SD1915F	S,T
Q702	VK432900	TR	2SD1915F	S,T
△ Q703	VP883000	TR	2SA893A	D,E
△ Q704	VP883000	TR	2SA893A	D,E
△ Q705	VP883000	TR	2SA893A	D,E
△ Q706	VP883000	TR	2SA893A	D,E
△ Q707	iP011600	TR.PAIR	2SA1358/C3421	O,Y
△ Q708	iC224030	TR	2SC2240	GR,BL
△ Q710	VR325600	TR	2SC2229	O,Y
△ Q711	VR325600	TR	2SC2229	O,Y
△ Q712	iP011600	TR.PAIR	2SA1358/C3421	O,Y
Q713	iC224030	TR	2SC2240	GR,BL
△ Q715	VN996900	TR	2SC4495	
△ Q716	VY760300	TR.PAIR	2SA1492/C3856	OPY
△ Q718	VY760300	TR.PAIR	2SA1492/C3856	OPY
△ Q720	VP883100	TR	2SC1890A	D,E
△ Q721	VP883100	TR	2SC1890A	D,E
△ Q722	VC141900	TR	2SB941	P,Q
Q723	iC181510	TR	2SC1815	Y
Q724	iC174020	TR	2SC1740S	R,S
Q725	iC224030	TR	2SC2240	GR,BL
Q726	VK432900	TR	2SD1915F	S,T
R508	HV756560	R.CAR.FP	5.6KΩ	1/4W
R517	HV756100	R.CAR.FP	1KΩ	1/4W
R553	VP941600	R.MTL.OXD	5.6KΩ	1W
R554	VP941600	R.MTL.OXD	5.6KΩ	1W
R555	HV756270	R.CAR.FP	2.7KΩ	1/4W
R557	HV755820	R.CAR.FP	820Ω	1/4W
R558	VK189000	R.FUS	1KΩ	1/4W

* New Parts

P.C.B. MAIN & TUNER

Schm Ref.	PART NO.	Description		
△ R559	HV754470	R.CAR.FP	47Ω	1/4W
R560	VP939800	R.MTL.OXD	10Ω	1W
R561	VP941600	R.MTL.OXD	5.6KΩ	1W
△ R562	VP941600	R.MTL.OXD	5.6KΩ	1W
△ R563	HV756270	R.CAR.FP	2.7KΩ	1/4W
△ R565	HV755820	R.CAR.FP	820Ω	1/4W
△ R566	VK189000	R.FUS	1KΩ	1/4W
△ R567	HV754470	R.CAR.FP	47Ω	1/4W
R568	VP941600	R.MTL.OXD	5.6KΩ	1W
R569	VP941600	R.MTL.OXD	5.6KΩ	1W
△ R570	HV756270	R.CAR.FP	2.7KΩ	1/4W
△ R572	HV755820	R.CAR.FP	820Ω	1/4W
△ R573	VK189000	R.FUS	1KΩ	1/4W
△ R574	HV754470	R.CAR.FP	47Ω	1/4W
△ R580	HV753470	R.CAR.FP	4.7Ω	1/4W
△ R581	VK188400	R.FUS	330Ω	1/4W
R583	HV753470	R.CAR.FP	4.7Ω	1/4W
△ R584	HV753470	R.CAR.FP	4.7Ω	1/4W
△ R585	VK188400	R.FUS	330Ω	1/4W
△ R587	HV753470	R.CAR.FP	4.7Ω	1/4W
R588	HV753470	R.CAR.FP	4.7Ω	1/4W
△ R589	VK188400	R.FUS	330Ω	1/4W
△ R591	HV753470	R.CAR.FP	4.7Ω	1/4W
△ R598	VP939800	R.MTL.OXD	10Ω	1W
△ R603	VP939800	R.MTL.OXD	10Ω	1W
△ R609	VP939800	R.MTL.OXD	10Ω	1W
R611	HV754100	R.CAR.FP	10Ω	1/4W
R613	HV754100	R.CAR.FP	10Ω	1/4W
R614	VP944500	R.MTL.OXD	390Ω	1W
R615	VP944500	R.MTL.OXD	390Ω	1W
△ R628	VY689500	R.WW	0.22Ω	3W
△ R629	VY689500	R.WW	0.22Ω	3W
△ R630	VY689500	R.WW	0.22Ω	3W
△ R631	VY689500	R.WW	0.22Ω	3W
△ R637	VY689500	R.WW	0.22Ω	3W
△ R638	VY689500	R.WW	0.22Ω	3W
R713	HV753220	R.CAR.FP	2.2Ω	1/4W
R724	HV753220	R.CAR.FP	2.2Ω	1/4W
R737	HV753220	R.CAR.FP	2.2Ω	1/4W
△ R738	VP944500	R.MTL.OXD	390Ω	1W
R739	VP941600	R.MTL.OXD	5.6KΩ	1W
R740	VP941600	R.MTL.OXD	5.6KΩ	1W
△ R741	HV756270	R.CAR.FP	2.7KΩ	1/4W
△ R742	VK188400	R.FUS	330Ω	1/4W
△ R744	HV755820	R.CAR.FP	820Ω	1/4W
△ R745	VK189000	R.FUS	1KΩ	1/4W
△ R746	HV754470	R.CAR.FP	47Ω	1/4W
△ R747	VP939800	R.MTL.OXD	10Ω	1W
△ R748	HV754470	R.CAR.FP	47Ω	1/4W
R749	VK189000	R.FUS	1KΩ	1/4W
△ R751	HV755820	R.CAR.FP	820Ω	1/4W
△ R752	VK188400	R.FUS	330Ω	1/4W
△ R753	HV756270	R.CAR.FP	2.7KΩ	1/4W

* New Parts

Schm Ref.	PART NO.	Description		
R754	VP941600	R.MTL.OXD	5.6KΩ	1W
R755	VP941600	R.MTL.OXD	5.6KΩ	1W
△ R756	VP944500	R.MTL.OXD	390Ω	1W
△ R759	HV753470	R.CAR.FP	4.7Ω	1/4W
△* R761	VZ123100	R.MTL.PLAT	0.22Ω	3W
△ R762	HV753470	R.CAR.FP	4.7Ω	1/4W
△ R763	HV753470	R.CAR.FP	4.7Ω	1/4W
△* R764	VZ123100	R.MTL.PLAT	0.22Ω	3W
△ R766	HV753470	R.CAR.FP	4.7Ω	1/4W
△ R772	VP939800	R.MTL.OXD	10Ω	1W
△ R773	VP939800	R.MTL.OXD	10Ω	1W
R781	VP939800	R.MTL.OXD	10Ω	1W
R785	HV754100	R.CAR.FP	10Ω	1/4W
R786	HV754100	R.CAR.FP	10Ω	1/4W
R787	HV754100	R.CAR.FP	10Ω	1/4W
△ R808	HV753100	R.CAR.FP	1Ω	1/4W
△ R809	HV753100	R.CAR.FP	1Ω	1/4W
△* R812	VZ123100	R.MTL.PLAT	0.22Ω	3W
△* R813	VZ123100	R.MTL.PLAT	0.22Ω	3W
△ RY501	VK438300	RELAY	DH24D2-OT/M2	
△ RY701	VU566700	RELAY	DG24D2-OS/M	
△ RY702	VK438300	RELAY	DH24D2-OT/M2	
△ SW501	VV523900	SW.PUSH	PBS-YM-001	
△ SW705	VZ361100	SW.SLIDE	SL13B-022-AMC1	
TE501	VC313700	TERM.SP	8P(UCRTA)	
TE501	VU819700	TERM.SP	8P(BGL)	
TE701	V2984800	TERM.SP	6P	
	VJ828000	PIN	IMSA-6024-03E	
	BB071360	SCR.TERM	8.3x13	
	EP600140	SCR.BND.HD	3x10 MFZN2-BL	
* * *	V2518600	P.C.B.	TUNER/TU-01(UC)	
* * *	V2518700	P.C.B.	TUNER/TU-01(RT)	
* * *	V2518800	P.C.B.	TUNER/TU-01(AL)	
* * *	V2518900	P.C.B.	TUNER/TU-01(RDS)(BG)	
CB4	VQ961900	CN	16P	
C1	VG287600	C.EL	100uF	25V
C3	VG275800	C.CE.TUBLR	8.2pF	50V
C4	UR837470	C.EL	47uF	16V
C5	VF467300	C.CE.TUBLR	0.01uF	16V
C6	UR837470	C.EL	47uF	16V
C7	UM416100	C.EL	1uF	50V
C8	VF467300	C.CE.TUBLR	0.01uF	16V
C9	VF467300	C.CE.TUBLR	0.01uF	16V
C10	VF467300	C.CE.TUBLR	0.01uF	16V
C11	VF467000	C.CE.TUBLR	1000pF	50V
C12	UM397100	C.EL	10uF	16V
C13	UM397100	C.EL	10uF	16V
C14	FG613100	C.CE	1000pF	50V
C15	VF467000	C.CE.TUBLR	1000pF	50V
C16	VF466700	C.CE.TUBLR	47pF	50V

* New Parts

P.C.B. TUNER

Schm Ref.	PART NO.	Description		
C17	UR837470	C.EL	47uF	16V
C19	VA761200	C.CE	33pF	50V
C20	VG287600	C.EL	100uF	25V
C21	VJ599000	C.CE.TUBLR	0.047uF	16V
C22	VG290700	C.EL	3.3uF	50V
C23	VF467300	C.CE.TUBLR	0.01uF	16V
C24	UM406470	C.EL	4.7uF	50V
C25	UM416330	C.EL	3.3uF	50V
C26	UM397100	C.EL	10uF	16V
C27	VF467300	C.CE.TUBLR	0.01uF	16V
C28	VA761200	C.CE	33pF	50V
C29	UM416100	C.EL	1uF	50V
C30	UM416100	C.EL	1uF	50V
C31	VG287600	C.EL	100uF	25V
C32	UM415470	C.EL	0.47uF	50V
C33	UM416100	C.EL	1uF	50V
C34	UA954470	C.MYLAR	0.047uF	50V
C35	VG290700	C.EL	3.3uF	50V
C36	UA952270	C.MYLAR	270pF	50V(ABGL)
C36	UA953100	C.MYLAR	1000pF	50V(UCRT)
C37	UA952270	C.MYLAR	270pF	50V(ABGL)
C37	UA953100	C.MYLAR	1000pF	50V(UCRT)
C38	VF466900	C.CE.TUBLR	470pF	50V
C39	VG287200	C.EL	10uF	50V
* C40	VE020000	C.EL	3.3uF	50V
* C41	VL884100	C.PP	3900pF	100V
C42	UM397220	C.EL	22uF	25V
* C43	VL884100	C.PP	3900pF	100V
C44	VG290700	C.EL	3.3uF	50V
C45	UR837470	C.EL	47uF	16V
C46	UR837470	C.EL	47uF	16V
C47	VG278600	C.CE.TUBLR	330pF	50V
C48	VG278800	C.CE.TUBLR	560pF	50V
C49	UA952120	C.MYLAR	120pF	50V(ABGL)
C49	UA953220	C.MYLAR	2200pF	50V(UCRT)
C50	VJ599000	C.CE.TUBLR	0.047uF	16V
C51	UR837470	C.EL	47uF	16V
C52	UR837470	C.EL	47uF	16V
C53	UR837470	C.EL	47uF	16V
C54	VA761100	C.CE	27pF	50V
C55	VA761100	C.CE	27pF	50V
C56	VJ599000	C.CE.TUBLR	0.047uF	16V
D1	VD631600	DIODE	1SS133,176,HSS104	
D2	VD631600	DIODE	1SS133,176,HSS104	
D3	VG437700	DIODE.ZENR	MTZJ5.6B	5.6V
Fi1	GG000560	FLTR.CE	SFE10.7MS3GHY-A	
Fi2	GG000560	FLTR.CE	SFE10.7MS3GHY-A	
Fi3	VC219000	FLTR.CE	SFZ450JL3	
IC1	XB760A00	IC	LA1266	
IC2	XQ944A00	IC	LC72131	
IC3	iG158100	IC	LA3401	
* IC4	XU664A00	IC	LC72720N	
L1	Vi546100	COIL	220uH	

* New Parts

Schm Ref.	PART NO.	Description	
L2	Vi546100	COIL	220uH
L3	Vi546100	COIL	220uH
L4	Vi546100	COIL	220uH
L5	Vi546100	COIL	220uH
* PK1	V2716700	TUNER.PK	ENV-172A4G1(ABGL)
* PK1	V2909100	TUNER.PK	ENV-172C8G1R(UCRT)
PK2	VU333700	COIL.RF.AM	940536051A
Q1	iC053540	TR	2SC535 A,B,C
Q2	iC053540	TR	2SC535 A,B,C
Q3	VD678500	TR.DGT	DTA114ES
Q4	iC174020	TR	2SC1740S R,S
Q5	VG722000	TR.DGT	DTC144ES
Q6	iC181510	TR	2SC1815 Y
Q7	VD678500	TR.DGT	DTA114ES
R56	HV754470	R.CAR.FP	47Ω 1/4W
SW1	VS602600	SW.SLIDE	SS070-P022 A(RT)
T1	VC218600	COIL.DT.FM	10.7MHz
T2	VR895700	COIL.IF	450KHz
T3	VT486800	COIL	XYA2(ABGL)
T3	VT486800	COIL	XYA2
T4	VQ138200	FLTR.LC	19KHz
T5	VQ138200	FLTR.LC	19KHz
TE1	VU477800	TERM.ANT	AJ-2038-040
TP1	VT969000	PIN.TEST	IRS-2049
TP2	VT969000	PIN.TEST	IRS-2049
VR1	VJ694000	VR.TRIM	B47KΩ
VR2	VJ694000	VR.TRIM	B47KΩ
XL1	QU003800	RSNR.CRYS	7.2MHz
XL2	GG000750	RSNR.CE	18.95KHz
XL3	VY704900	RSNR.CRYS	4.332MHz
	BB071360	SCR.TERM	8.3x13
	VR282500	PLATE	ANT.

* New Parts

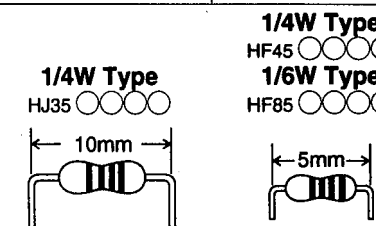
■ Chip Resistor

Parts List for Carbon Resistors

Schm Ref.	PART NO.	Description	
	RD250000	R.CAR.CHP	0Ω 1/10W
	RD253220	R.CAR.CHP	2.2Ω 1/10W
	RD254470	R.CAR.CHP	47Ω 1/10W
	RD254820	R.CAR.CHP	82Ω 1/10W
	RD255100	R.CAR.CHP	100Ω 1/10W
	RD255220	R.CAR.CHP	220Ω 1/10W
	RD255330	R.CAR.CHP	330Ω 1/10W
	RD255470	R.CAR.CHP	470Ω 1/10W
	RD255680	R.CAR.CHP	680Ω 1/10W
	RD255820	R.CAR.CHP	820Ω 1/10W
	RD256100	R.CAR.CHP	1KΩ 1/10W
	RD256110	R.CAR.CHP	1.1KΩ 1/10W
	RD256120	R.CAR.CHP	1.2KΩ 1/10W
	RD256130	R.CAR.CHP	1.3KΩ 1/10W
	RD256150	R.CAR.CHP	1.5KΩ 1/10W
	RD256180	R.CAR.CHP	1.8KΩ 1/10W
	RD256220	R.CAR.CHP	2.2KΩ 1/10W
	RD256270	R.CAR.CHP	2.7KΩ 1/10W
	RD256300	R.CAR.CHP	3KΩ 1/10W
	RD256330	R.CAR.CHP	3.3KΩ 1/10W
	RD256390	R.CAR.CHP	3.9KΩ 1/10W
	RD256470	R.CAR.CHP	4.7KΩ 1/10W
	RD256510	R.CAR.CHP	5.1KΩ 1/10W
	RD256560	R.CAR.CHP	5.6KΩ 1/10W
	RD256680	R.CAR.CHP	6.8KΩ 1/10W
	RD256820	R.CAR.CHP	8.2KΩ 1/10W
	RD257100	R.CAR.CHP	10KΩ 1/10W
	RD257110	R.CAR.CHP	11KΩ 1/10W
	RD257120	R.CAR.CHP	12KΩ 1/10W
	RD257150	R.CAR.CHP	15KΩ 1/10W
	RD257180	R.CAR.CHP	18KΩ 1/10W
	RD257220	R.CAR.CHP	22KΩ 1/10W
	RD257330	R.CAR.CHP	33KΩ 1/10W
	RD257360	R.CAR.CHP	36KΩ 1/10W
	RD257470	R.CAR.CHP	47KΩ 1/10W
	RD257510	R.CAR.CHP	51KΩ 1/10W
	RD257560	R.CAR.CHP	56KΩ 1/10W
	RD257620	R.CAR.CHP	62KΩ 1/10W
	RD257820	R.CAR.CHP	82KΩ 1/10W
	RD258100	R.CAR.CHP	100KΩ 1/10W
	RD258330	R.CAR.CHP	330KΩ 1/10W
	RD258470	R.CAR.CHP	470KΩ 1/10W
	RD259100	R.CAR.CHP	1MΩ 1/10W

* New Parts

Value	1/4W Type Part No.	1/6W Type Part No.	Value	1/4W Type Part No.	1/6W Type Part No.
1.0 Ω	HJ35 3100	HF85 3100	10 kΩ	HF45 7100	HF45 7100
1.8 Ω	HJ35 3180	*	11 kΩ	HF45 7110	HF45 7110
2.2 Ω	HJ35 3220	HF85 3220	12 kΩ	HJ35 7120	HF85 7120
3.3 Ω	HJ35 3330	HF85 3330	13 kΩ	HF45 7130	HF45 7130
4.7 Ω	HJ35 3470	HF85 3470	15 kΩ	HF45 7150	HF45 7150
5.6 Ω	HJ35 3560	HF85 3560	18 kΩ	HF45 7180	HF45 7180
10 Ω	HF45 4100	HF45 4100	22 kΩ	HF45 7220	HF45 7220
15 Ω	HJ35 4150	HF85 4150	24 kΩ	HF45 7240	HF45 7240
22 Ω	HF45 4220	HF45 4220	27 kΩ	HJ35 7270	HF85 7270
27 Ω	HJ35 4270	HF85 4270	30 kΩ	HF45 7300	HF45 7300
33 Ω	HF45 4330	HF45 4330	33 kΩ	HF45 7330	HF45 7330
39 Ω	HJ35 4390	HF85 4390	36 kΩ	HF45 7360	HF45 7360
47 Ω	HF45 4470	HF45 4470	39 kΩ	HF45 7390	HF45 7390
56 Ω	HF45 4560	HF45 4560	47 kΩ	HF45 7470	HF45 7470
68 Ω	HF45 4680	HF45 4680	51 kΩ	HF45 7510	HF45 7510
75 Ω	HF45 4750	HF45 4750	56 kΩ	HF45 7560	HF45 7560
82 Ω	HF45 4820	HF45 4820	62 kΩ	HF45 7620	HF45 7620
91 Ω	HF45 4910	HF45 4910	68 kΩ	HF45 7680	HF45 7680
100 Ω	HF45 5100	HF45 5100	82 kΩ	HF45 7820	HF45 7820
110 Ω	HJ35 5110	HF85 5110	91 kΩ	HF45 7910	HF45 7910
120 Ω	HF45 5120	HF45 5120	100 kΩ	HF45 8100	HF45 8100
150 Ω	HF45 5150	HF45 5150	110 kΩ	HF45 8110	HF45 8110
160 Ω	HJ35 5160	*	120 kΩ	HF45 8120	HF45 8120
180 Ω	HF45 5180	HF45 5180	150 kΩ	HF45 8150	HF45 8150
200 Ω	HF45 5200	HF45 5200	180 kΩ	HF45 8180	HF45 8180
220 Ω	HF45 5220	HF45 5220	220 kΩ	HJ35 8220	HF85 8220
270 Ω	HF45 5270	HF45 5270	270 kΩ	HF45 8270	HF45 8270
330 Ω	HF45 5330	HF45 5330	300 kΩ	HF45 8300	HF45 8300
390 Ω	HF45 5390	HF45 5390	330 kΩ	HF45 8330	HF45 8330
430 Ω	HF45 5430	HF45 5430	390 kΩ	HJ35 8390	HF85 8390
470 Ω	HF45 5470	HF45 5470	470 kΩ	HF45 8470	HF45 8470
510 Ω	HF45 5510	HF45 5510	560 kΩ	HJ35 8560	HF85 8560
560 Ω	HF45 5560	HF45 5560	680 kΩ	HJ35 8680	HF85 8680
680 Ω	HF45 5680	HF45 5680	820 kΩ	HJ35 8820	HF85 8820
820 Ω	HF45 5820	HF45 5820	1.0 MΩ	HF45 9100	HF45 9100
910 Ω	HF45 5910	HF45 5910	1.2 MΩ	HJ35 9120	*
1.0 kΩ	HF45 6100	HF45 6100	1.5 MΩ	HJ35 9150	HF85 9150
1.2 kΩ	HF45 6120	HF45 6120	1.8 MΩ	HJ35 9180	HF85 9180
1.5 kΩ	HF45 6150	HF45 6150	2.2 MΩ	HJ35 9220	HF85 9220
1.8 kΩ	HF45 6180	HF45 6180	3.3 MΩ	HJ35 9330	HF85 9330
2.0 kΩ	HJ35 6200	HF85 6200	3.9 MΩ	HJ35 9390	*
2.2 kΩ	HF45 6220	HF45 6220	4.7 MΩ	HJ35 9470	HF85 9470
2.4 kΩ	HJ35 6240	HF85 6240			
2.7 kΩ	HF45 6270	HF45 6270			
3.0 kΩ	HF45 6300	HF45 6300			
3.3 kΩ	HF45 6330	HF45 6330			
3.6 kΩ	HJ35 6360	HF85 6360			
3.9 kΩ	HF45 6390	HF45 6390			
4.7 kΩ	HF45 6470	HF45 6470			
5.1 kΩ	HF45 6510	HF45 6510			
5.6 kΩ	HF45 6560	HF45 6560			
6.8 kΩ	HF45 6680	HF45 6680			
8.2 kΩ	HF45 6820	HF45 6820			
9.1 kΩ	HF45 6910	HF45 6910			



* : Not available

1992

EXPLODED VIEW

1

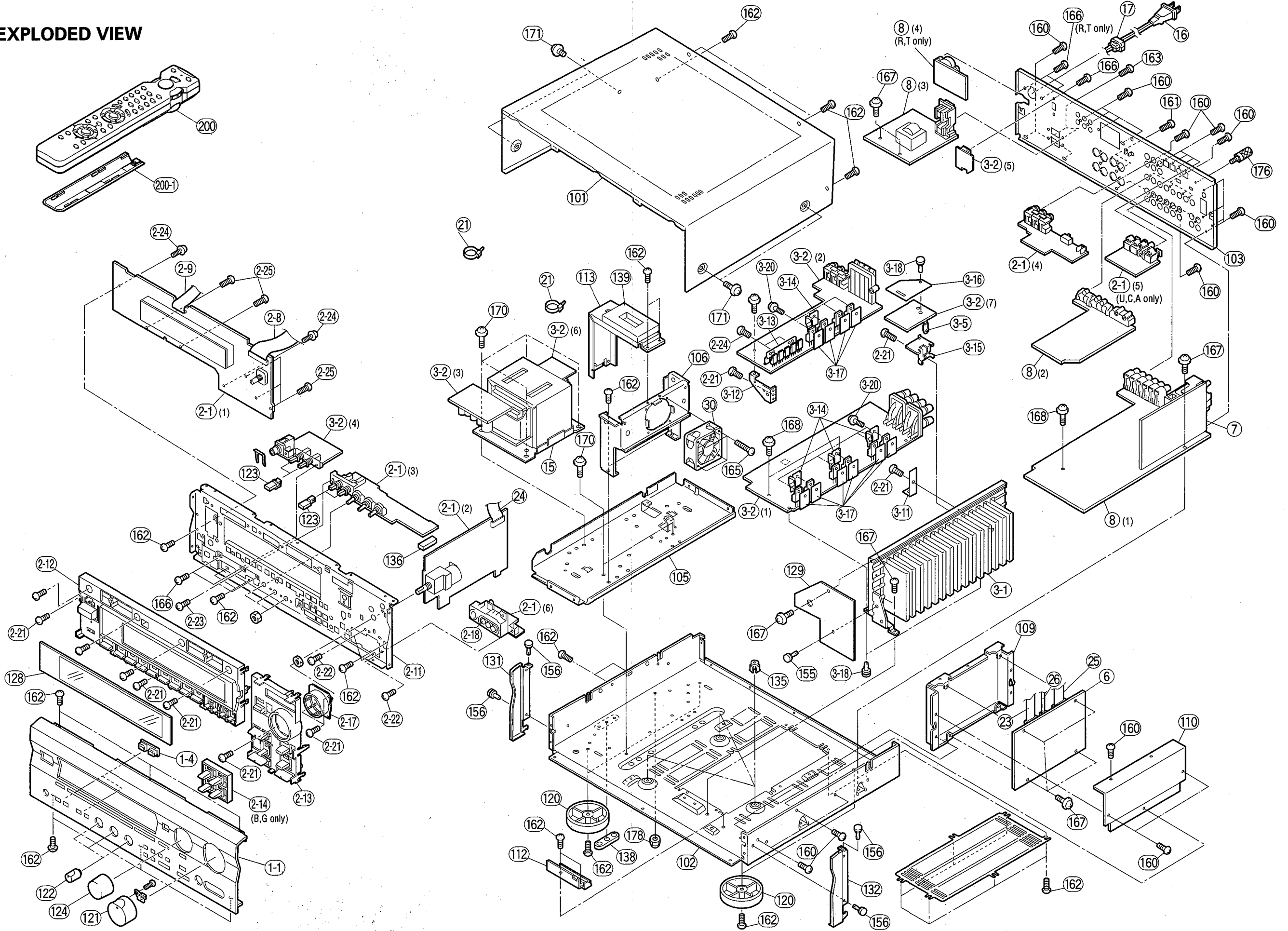
2

3

4

5

6



MECHANICAL PARTS

Ref. No.	PART NO.	Description	Remarks	Markets	
*	1-1	V2464800	FRONT PANEL	RX-V795 BL	(UCRALT)
*	1-1	V2464900	FRONT PANEL	RX-V795 GD	(T)
*	1-1	V2465000	FRONT PANEL	RX-V795RDS BL	(BG)
*	1-1	V2465100	FRONT PANEL	RX-V795RDS TI	(G)
*	1-1	V2465300	FRONT PANEL	R-V1105 BL	
	1-4	V2468600	ESCUTCHOEN	3/8	
*	2-1	V3013900	P.C.B. ASS'Y	OPERATION	(L)
*	2-1	V3014000	P.C.B. ASS'Y	OPERATION	(UCA)
*	2-1	V3014100	P.C.B. ASS'Y	OPERATION	(RT)
*	2-1	V3014300	P.C.B. ASS'Y	OPERATION	(BG)
*	2-8	MF227160	S FLEXIBLE FLAT CABLE	27P 160mm	
*	2-9	MF207200	S FLEXIBLE FLAT CABLE	7P 200mm	
	2-11	V2460700	SUB CHASSIS		
	2-12	V2465500	BUTTON CASE	RX-V795/RDS BL	
	2-12	V2465600	BUTTON CASE	TI	
	2-12	V2465700	BUTTON CASE	GD	
*	2-12	V2633800	BUTTON CASE	R-V1105	
*	2-13	V2465800	BUTTON INPUT	BL	
*	2-13	V2465900	BUTTON INPUT	TI	
*	2-13	V2466000	BUTTON INPUT	GD	
*	2-14	V2467000	BUTTON, RDS	RX-V795RDS BL	
*	2-14	V2467100	BUTTON, RDS	RX-V795RDS TI	
	2-17	V2467900	ESCUTCHEON, VOL	BL	
	2-17	V2468000	ESCUTCHEON, VOL	TI	
	2-17	V2468100	ESCUTCHEON, VOL	GD/R-V1105	(T)
*	2-17	V2468200	ESCUTCHEON, VOL	R-V1105	(UCA)
	2-18	V2468300	ESCUTCHEON, PJ	BL	
	2-18	V2468400	ESCUTCHEON, PJ	TI	
	2-18	V2468500	ESCUTCHEON, PJ	GD	
	2-21	EP600830	BIND HEAD B-TITE SCREW	3x8 FCRM3-BL	
	2-22	VN413300	BIND HEAD BONDING B-T. SCREW	3x8 MFZN2-BL	
	2-23	EG330030	BIND HEAD SCREW	3x6 FCRM3-BL	
	2-24	VT669300	PW HEAD B-TITE SCREW	3x8-8 MFC2	
	2-25	EP630220	BIND HEAD P-TITE SCREW	3x8 ZMC2-BL	
*	3-1	V2564700	HEAT SINK		
*	3-2	V3014500	P.C.B. ASS'Y	MAIN	(UCRT)
*	3-2	V3014600	P.C.B. ASS'Y	MAIN	(A)
*	3-2	V3014700	P.C.B. ASS'Y	MAIN	(BGL)
△	3-5	VM842300	THERMISTOR	PTH9M04 BF/80f1C	
	3-11	VV518700	SUPPORT, HEAT SINK	L	
*	3-12	V2564600	FRAME	PCB	
	3-13	V2461000	SUPPORT, TR		
*	3-14	V2564500	SUPPORT, TR		
*	3-15	V2195400	SUPPORT, PS		
*	3-16	V3122200	SHEET	PS795	
	3-17	VV849300	SHEET	19x24	
	3-18	VQ368500	PUSH RIVET	P3545-B	
	3-19	VQ368600	PUSH RIVET	P3555-B	
	3-20	VK173200	SCREW, TRANSISTOR	3x15 SP FCM3	
*	6	V3005800	P.C.B. ASS'Y	DSP	
*	7	V2518600	P.C.B. ASS'Y	TUNER/TU-01	(UC)
*	7	V2518700	P.C.B. ASS'Y	TUNER/TU-01	(RT)
*	7	V2518800	P.C.B. ASS'Y	TUNER/TU-01	(AL)

* New Parts

RX-V795/R-V1105/RX-V795RDS

Ref. No.	PART NO.	Description	Remarks	Markets
* 7	V2518900	P.C.B. ASS'Y	TUNER/TU-01RDS	(BG)
* 8	V3013300	P.C.B. ASS'Y	INPUT	(UC)
* 8	V3013400	P.C.B. ASS'Y	INPUT	(RT)
* 8	V3013500	P.C.B. ASS'Y	INPUT	(A)
* 8	V3013600	P.C.B. ASS'Y	INPUT	(B)
* 8	V3013700	P.C.B. ASS'Y	INPUT	(G)
* 8	V3013800	P.C.B. ASS'Y	INPUT	(L)
△ * 15	XV461A00	POWER TRANSFORMER		(U)
△ * 15	XV462A00	POWER TRANSFORMER		(C)
△ * 15	XV463A00	POWER TRANSFORMER		(T)
△ * 15	XV464A00	POWER TRANSFORMER		(A)
△ * 15	XV465A00	POWER TRANSFORMER		(BGL)
△ * 16	V2296800	POWER CORD ASS'Y		(A)
△ * 16	V2363800	POWER CORD ASS'Y		(UC)
△ * 16	VN363700	POWER CORD ASS'Y		(GL)
△ * 16	VV437300	POWER CORD ASS'Y		(B)
△ * 16	VZ542500	POWER CORD ASS'Y		(RT)
17	V2438700	CORD STOPPER	#10P1	
21	VU590000	BINDING TIE	CBTD001B	
22	VZ625600	BINDING TIE	SE140 L=140	
* 23	MF211140	S FLEXIBLE FLAT CABLE	11P 140mm	
* 24	MF118140	FLEXIBLE FLAT CABLE	18P 140mm	
* 25	MF113140	FLEXIBLE FLAT CABLE	13P 140mm	
26	MF106250	FLEXIBLE FLAT CABLE	6P 250mm	
* 27	MF215200	S FLEXIBLE FLAT CABLE	15P 200mm	
30	VV272500	DC FAN MOTOR	2410ML-05W-B20-L00	
101	VV121300	TOP COVER		BL
101	VV121500	TOP COVER		TI
101	VZ884500	TOP COVER		GD
102	VY758300	CHASSIS		
* 103	V2564900	REAR PANEL		RX-V795 (U)
* 103	V2565000	REAR PANEL		RX-V795 (C)
* 103	V2565100	REAR PANEL		RX-V795 (RT)
* 103	V2565200	REAR PANEL		RX-V795 (A)
* 103	V2565300	REAR PANEL		RX-V795 (L)
* 103	V2565400	REAR PANEL		RX-V795RDS (B)
* 103	V2565500	REAR PANEL		RX-V795RDS (G)
* 103	V2565700	REAR PANEL		R-V1105 (U)
* 103	V2565800	REAR PANEL		R-V1105 (C)
* 103	V2565900	REAR PANEL		R-V1105 (T)
* 103	V2566000	REAR PANEL		R-V1105 (A)
105	VV123100	FRAME, TRANS		
106	VZ332900	FRAME, FAN		
109	V2461100	SHIELD CASE		
110	VZ332800	SHIELD CASE COVER		
112	VZ333000	SUPPORT, PCB		
113	VZ333100	SUPPORT, TRANS.		
120	V0042500	LEG	D60xH21	GD/R-V1105 (T)
120	VS025000	LEG	D60xH21	RX-V795 BL/TI
120	VV544300	LEG	D60xH21	R-V1105 (UCA)
* 121	V2566600	KNOB, LED	D40	BL
* 121	V2566700	KNOB, LED	D40	TI
* 121	V2566800	KNOB, LED	D40	GD

* New Parts

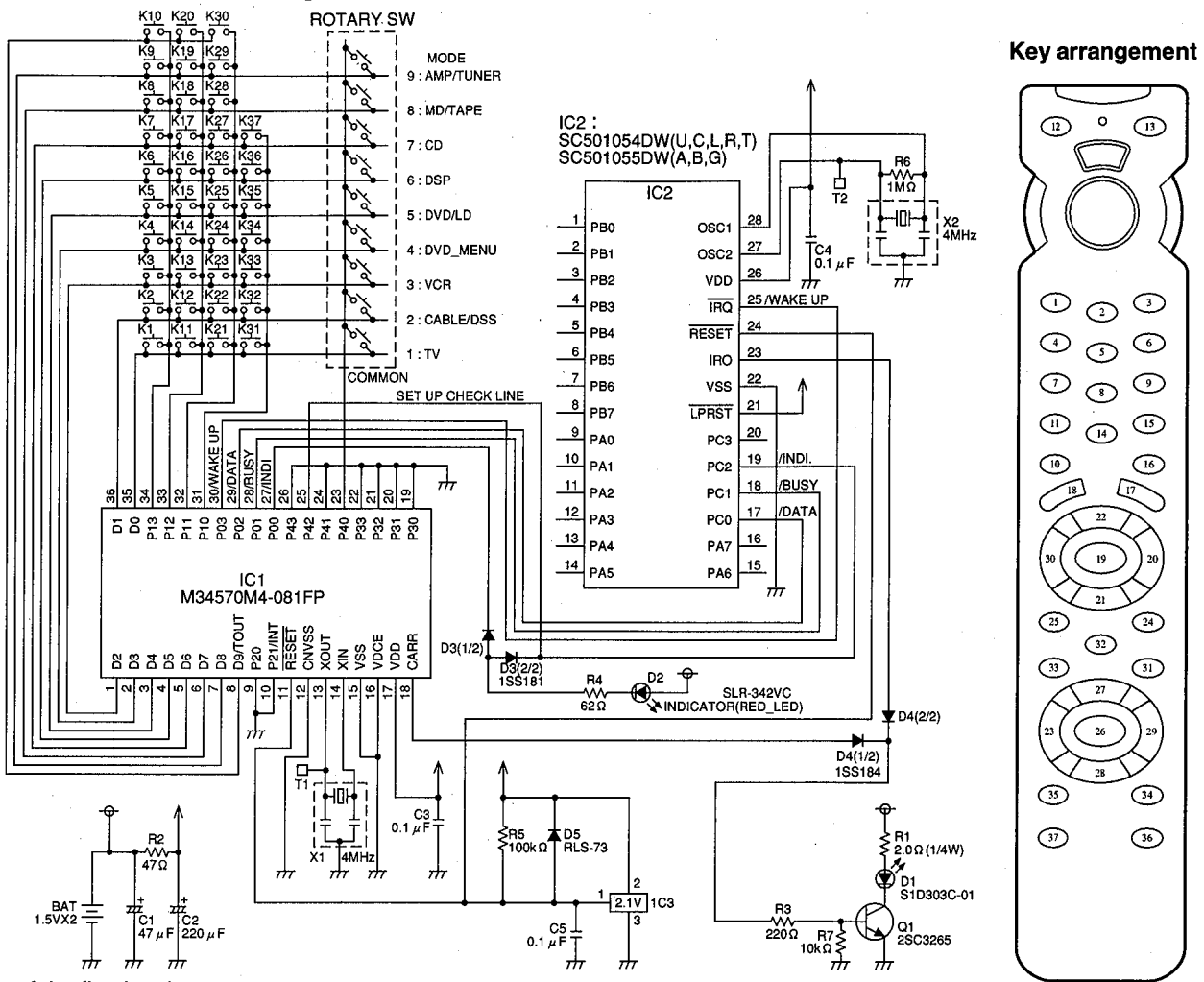
Ref. No.	PART NO.	Description	Remarks	Markets
122	V0016700	KNOB	D14	GD
122	VV311000	KNOB	D14	BL
122	VV311400	KNOB	D14	TI
123	V2467300	BUTTON, 3/8		BL
123	V2467400	BUTTON, 3/8		TI
123	V2467500	BUTTON, 3/8		GD
124	V2467600	KNOB, ENC	D30	BL
124	V2467700	KNOB, ENC	D30	TI
124	V2467800	KNOB, ENC	D30	GD
128	V2469400	SHEET, WINDOW		
129	VZ531600	SHHET		
131	V2468800	PLATE SIDE L	130	BL
131	V2468900	PLATE SIDE L	130	TI
131	V2469000	PLATE SIDE L	130	GD
132	V2469100	PLATE SIDE R	130	BL
132	V2469200	PLATE SIDE R	130	TI
132	V2469300	PLATE SIDE R	130	GD
135	VR264400	SPACER	H8	
136	VZ092400	DAMPER	6x5x10	
*	137	V3422200	DAMPER	
	138	V2064200	DAMPER	
	139	VP922800	DAMPER	
	155	VQ368500	PUSH RIVET	P3545-B
	156	VQ368600	PUSH RIVET	P3555-B
	160	VN413300	BIND HEAD BONDING B-T. SCREW	3x8 MFZN2-BL
	161	VY731200	BONDING HEAD TAPPING SCREW	3x10 MFNI33
	162	EP600830	BIND HEAD B-TITE SCREW	3x8 FCRM3-BL
	163	EP600250	BIND HEAD B-TITE SCREW	3x8 ZMC2-Y
	165	VV220300	BIND HEAD B-TITE SCREW	3x30 MFZN2-BL
	166	EG330030	BIND HEAD SCREW	3x6 FCRM3-BL
	167	VT669300	PW HEAD B-TITE SCREW	3x8-8 MFC2
	168	VT669400	PW HEAD B-TITE SCREW	3x15-8 MFC2
	170	21991500	PW HEAD S-TITE SCREW	4x8-10 FCRM3-BL
	171	21991500	PW HEAD S-TITE SCREW	4x8-10 FCRM3-BL
	171	VD069600	PW HEAD S-TITE SCREW	4x8-10 MFNI-33
	171	VH313200	BW HEAD S-TITE SCREW	4x8-10 FNM3-BL
	176	AA627310	GROUND TERMINAL	
	178	03700480	HEXAGONAL CAP NUT	4.0 MFNI33
		ACCESSORIES		
*	200	V2686500	REMOTE CONTROL TRANSMITTER	RRC4000-7003R
*	200	V2686600	REMOTE CONTROL TRANSMITTER	RRC4000-7004R
	200-1	XX702560	LID	
		VQ147100	ANTENNA, FM	1P 1.4m
		VR248500	ANTENNA, AM LOOP	1P 1.0m
		VE364900	ANTENNA ADAPTER	PAL 75-300Ω
		VT948000	ANTENNA ADAPTER	
		BATTERY, MANGANESE	SUM-3,AA,R06	

(UCRLT)
(ABG)

* New Parts

REMOTE CONTROL TRANSMITTER

SCHEMATIC DIAGRAM



List of the fixed code

Key No.	Key NAME	MODE ID #	TV	Cable/DBS	VCR	DVD Menu	DVD/LD	DSP	CD	Tape/MD	AMP/Tuner	
1	1		CH1	CH1	CH1	7C-94	7A-15	7A-88	6187	8524(Tape)	7A-15	
2	2		CH2	CH2	CH2	7C-95	7A-16	7A-89			7A-16	
3	3		CH3	CH3	CH3	7C-96	7A-18	7A-8A			7A-18	
4	4		CH4	CH4	CH4	7C-97	7A-17	7A-8B			7A-17	
5	5		CH5	CH5	CH5	7C-98	7A-54	7A-8C			7A-54	
6	6		CH6	CH6	CH6	7C-99	7A-0F	7A-8D			7A-0F	
7	7		CH7	CH7	CH7	7C-9A	7A-14	7A-8E			7A-14	
8	8		CH8	CH8	CH8	7C-9B	7A-55	7A-8F			7A-55	
9	9		CH9	CH9	CH9	7C-9C	7A-13	7A-90			7A-13	
10	DSP		Shift of only Ten key in DSP Mode						Shift of only Ten key in DSP Mode			
11	0		CH0	CH0	CH0	7C-93	7A-87	7A-91			7A-87	
12	POWER		7A-1D	Power	Power	7A-1D					7A-1D	
13	STANDBY				7A-1E						7A-1E	
14	ENTER		CH Select	CH Select	CH Select	7C-9D		7A-12			7A-12	
15	CLEAR			+100		7C-9F		7A-85			7A-85	
16	EFFECT		Surround			7A-56					7A-56	
17	CH+		CH+	CH+	CH+	7C-8B		7A-10	7A-4F		7A-10	
18	CH-		CH-	CH-	CH-	7C-8A		7A-11	7A-50		7A-11	
19	MUTE		Mute			7A-1C					7A-1C	
20	VOL+					7A-1A					7A-1A	
21	TV VOL-					TV VOL-					TV VOL-	
22	TV VOL+					TV VOL+					TV VOL+	
23	SKIP-			Left		7C-B5	7C-B9	7A-53	7A-0B	7A-07	7A-53	
24	DISPLAY		Display	Display	Display	7C-9E	7C-A6	7A-C2	79-0B		7A-C2	
25	SLEEP		Sleep			7A-57					7A-57	
26	PLAY		VCR Play	Menu Select	Play	7C-B8	7C-82		7A-08	7A-00		
27	PAUSE		VCR Pause	Up	Pause	7C-B4	7C-83	7A-98	7A-09		7A-98	
28	STOP		VCR Stop	Down	Stop	7C-B3	7C-85	7A-99	7A-09	7A-03	7A-99	
29	SKIP+			Right		7C-B6	7C-BA	7A-52	7A-0A	7A-40	7A-52	
30	VOL-					7A-1B					7A-1B	
31	TV INPUT				TV Input					TV Input	7A-06	
32	TV POWER				TV Power						TV Power	
33	REC		VCR REC		REC						7A-04	
34	FF		VCR FF	Recall	FF	7C-B7	7C-AE	7A-58	7A-0C	7A-02	7A-58	
35	REW		VCR REW		REW	7C-AC	7C-AB	7A-59	7A-0D	7A-01	7A-59	
36	MENU			Menu		7C-B2	7C-AD	7A-9C			7A-9C	
37	TITLE					7C-B1	7C-AA	7A-86			7A-86	

-----: No Code